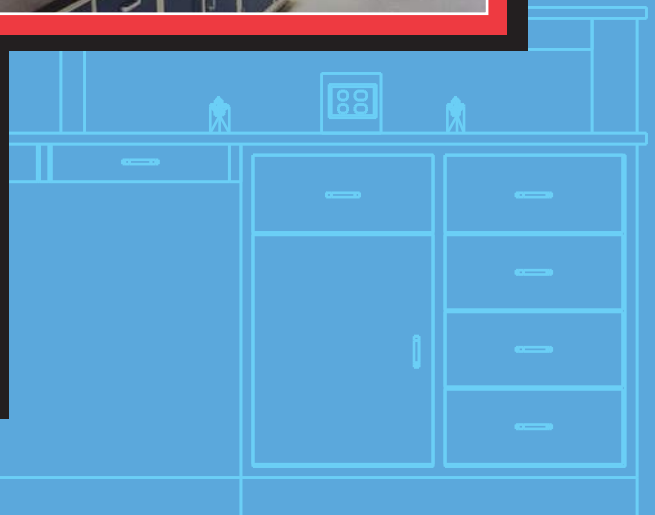


LAB DESIGN

MANUFACTURER OF LABORATORY CASEWORK



INTRODUCTION

At a time when quality and service appear to be overlooked in favor of dollars and cents by many of our competitors, **Lab Design** has chosen to follow the old adage, "If it isn't broken, don't fix it". We at **Lab Design** feel that the direction our competitors are taking is not in your best interest. Therefore, we will continue to manufacture exclusively in the USA, maintaining the high quality, maximum flexibility and component interchangeability that have always been associated with **Lab Design** for the past 34 years. The largest benefit to our valued customers is that this is all available while maintaining a pricing structure second to none.

Our standard 16 color selection, free design service and over 500 unit matrix allows you, the customer, to create a custom laboratory to fit your every need.

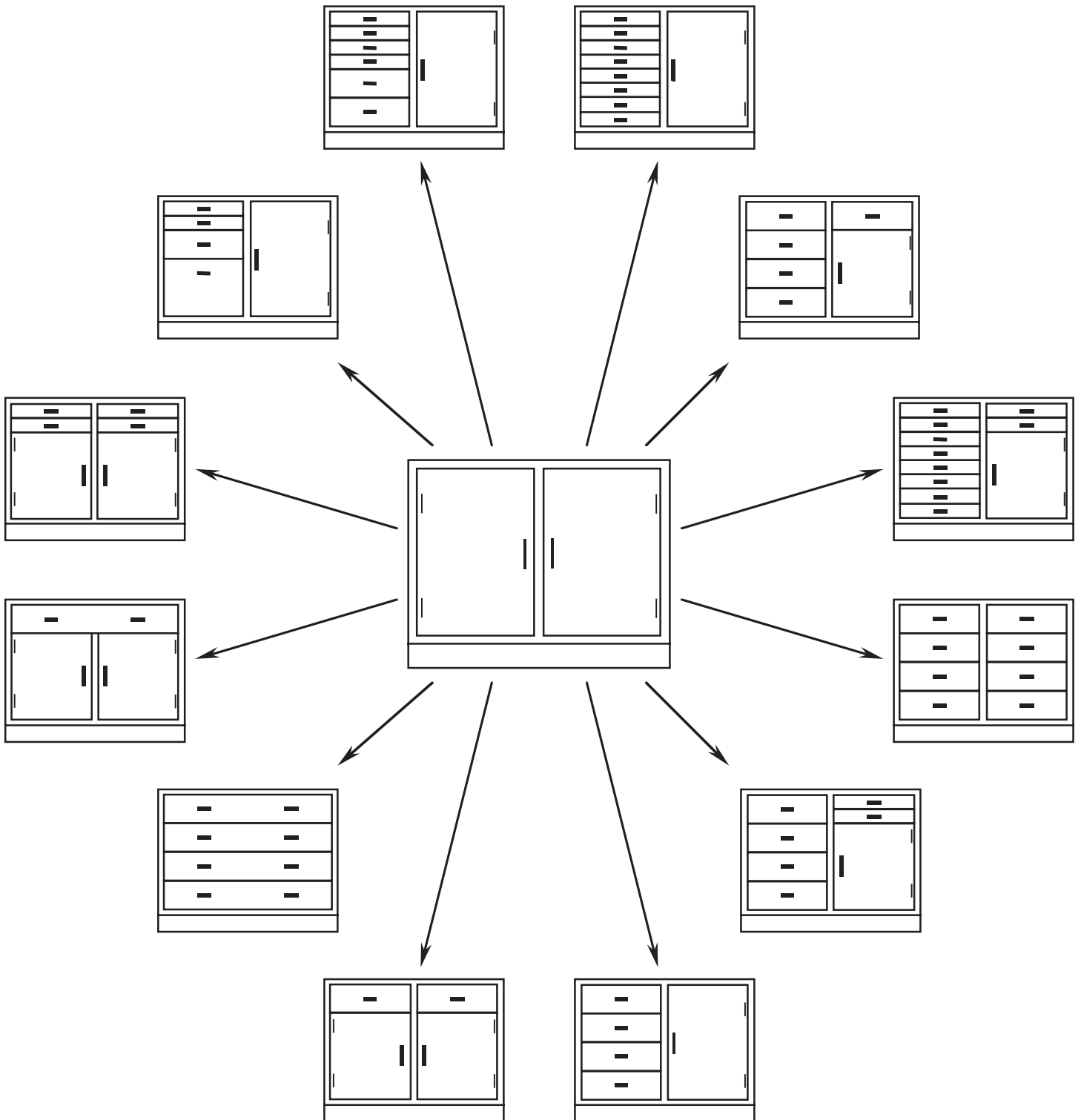
Our motto is simple: "Quality of product and service to our customer base creates new customers". Proudly manufacturing in the USA, we at **Lab Design** are confident that we can meet your laboratory requirements, big or small, as we have for these facilities:



BIOSEEK S. San Francisco, CA	CITY UNIVERSITY of NEW YORK Queens, Lehman, City, Brooklyn, & Hunter Colleges
McGUIRE AIR FORCE BASE Wrightstown, New Jersey	PRINCETON UNIVERSITY Princeton, New Jersey
DFB PHARMACEUTICALS Dallas, Texas	L'OREAL USA Westfield, New Jersey
BOSTON MEDICAL CENTER Boston, Massachusetts	GENEWIZ South Plainfield, New Jersey
YORK COLLEGE York, Pennsylvania & Queens, New York	UNIVERSITY OF RHODE ISLAND Kingston, Rhode Island
SAN JUAN MUNICIPAL HOSPITAL Rio Piedras, Puerto Rico	GIVAUDAN-ROURE Clifton, New Jersey
INTERTEK TESTING SERVICES/CALEB BRETT AR, CA, CT, FL, GA, IL, LA, MD, NC, NJ, PA, TX, VA	VAMC Allentown, PA & San Antonio, TX
DuPONT Wilmington, Delaware	IONICS, Inc. Watertown, Massachusetts
NEW YORK MEDICAL COLLEGE Valhalla, New York	MIAMI-DADE COMMUNITY COLLEGE Miami, Florida
UNIVERSITY of CALIFORNIA Los Angeles, California	ROOSEVELT HOSPITAL Guatemala City, Guatemala
STANBIO LABORATORIES Boerne, Texas	FRIENDS CENTRAL SCHOOL Philadelphia, Pennsylvania
MONSANTO Maui, Hawaii	FORT SAM HOUSTON San Antonio, Texas
FRONTAGE LABORATORIES Malvern, Pennsylvania	FEDERAL CORRECTIONAL INSTITUTE Beckley, West Virginia
U.S. COAST GUARD Cape May, New Jersey	COMERIO HEALTH CENTER Comerio, Puerto Rico
GARRETT COUNTY MEMORIAL HOSPITAL Oakland, Maryland	NOVARTIS PHARMACEUTICALS East Hanover, NJ & Emeryville, CA
DPT LABORATORIES San Antonio, TX & Lakewood, NJ	J.C. VENTER SCIENCE FOUNDATION Rockville, Maryland
ARYX THERAPEUTICS San Jose, California	GILEAD Foster City, CA

*Front Cover Photos (top to bottom): Aryx Therapeutics, CA; St. Mary's Med. Ctr., PA; Intertek, LA; Frontage Labs, PA;
*Back Cover Photos (top to bottom): IFF Labs, NJ; York College, NY; Friends Central School, PA; Princeton Univ., NJ

FLEXIBILITY is the KEY



CABINET SPECIFICATIONS - SHORT FORM

1. MATERIALS:

A. Cold rolled sheet steel.

2. GAUGES

14 Drawer Suspensions, Corner Gussets

16 Legs

18 Cabinet Body, Doors, Shelves, Top Front and Intermediate Rails, Table Aprons and Frames, Kneespace Drawers

20 Drawer Front, Slope Tops

22 Drawer Body, Drawer Back, Drawer Inside front, Fillers, Panels

3. CONSTRUCTION

A. All steel, flush front construction. Cabinets are integrally welded with interchangeable doors and drawers.

B. Base Cabinets: Sides, bottom, back, and front crosspiece spot-welded together, then gas welded at front corners and ground smooth for painting. Backs have rear access panels for access to plumbing. Bottom has access holes (with caps) for access to leg levelers. Integral base creates a toe space 4" high x 3" deep. Double width base cabinets to have center upright 1" wide welded into place, except for open cabinets and cabinets with full width drawers.

1. Drawers: Constructed with four pieces: drawer body, drawer back, inside front, and drawer front. All of which are to be spot-welded into one integral piece, with drawer front to be fastened on using sheet metal screws for easy removal when installing locks. Both inside front and back are spot-welded into drawer body with flanges of inside front and flanges of back welded flush to raw edges of front and rear of body. Adhesive mounted honeycomb sound deadening material to be placed into drawer front.

2. Doors to be double pan construction with both inside and outside door welded to create one integral rigid piece.

3. Adjustable shelves are formed with flanges on all sides with returns on front and back of shelf. Shelves over 36" in width to have 18-gauge reinforcing channel spot welded to underside of shelf.

C. Wall Units: Wall units are available in four different heights: 24", 30", 36", and 48".

1. Top, sides and bottom spot welded to form one integral unit. Back is provided with slottage for adjustable shelf clips on 1/2" centers.

2. Doors to be double pan construction with both inside and outside door welded to create one integral rigid piece

3. Glass doors to be double-panel, reinforced frame, metal construction same as above. Glass is 1/4" thick, set and held in place in a resilient glazing channel. Sliding doors will operate on nylon rollers suspended from the extruded aluminum track at the top of the door, with a center guide at the bottom. Sliding doors have recessed aluminum door pulls and glass stop on inside. Rubber channels used to cushion glass in glazed doors shall be a neoprene rubber extrusion.

CABINET SPECIFICATIONS - SHORT FORM

- D. Freestanding units: Top, sides and bottom spot welded to form one integral unit with flush base. All specifications typical of wall units except the following:
1. Two side angles of 16-gauge steel are required, spot-welded to the inside bottom of each side. One 18-gauge angle to be spot-welded onto bottom of back and one 16-gauge angle to be spot-welded onto top of back for rigidity.
- E. Table Frames/Apron: Table aprons to be 3-3/4" high, 'C' channel shape. Leg pockets to be 16-gauge cold rolled steel, spot-welded into each corner.
1. Standard legs are to be H-leg design, manufactured with 16-gauge 2" x 2" tubing and 18-gauge spreader to weld both legs together. Each leg has 3/8" - 16 levelers, adjustable to 1" in height. Legs are bolted into leg pockets with 1/4" - 20 bolts. Leg shoes to be provided on table legs to conceal shims or leveling devices. Shoes shall be black vinyl and covered at bottom. Use of a leg shoe that does not conceal leveling device will not be acceptable
- F. Kneespace Drawers: Drawers are standard half height drawers. Drawer housing to be manufactured with two sides 3-3/4" high with front to have flange with return for drawer roller. Back to be spot-welded to inside of unit between rear of sides. 36" and 48" double drawer units to be assembled with two single units welded together with front bottom stiffener and rear 16-gauge stiffener. Drawer ends available to extend the width of drawer unit. Ends are typical of an apron half in formation and gas-welded in place in front and back of drawer unit. When using H-legs on a drawer end, the smallest end possible is 4" to accommodate leg pockets.
- G. Kneespace Panels, Fillers & Slope Tops: All panels and fillers to be fabricated out of 22-gauge cold rolled steel. All spring clips used for mounting to cabinets and/or wall are 18-gauge galvanic material. Mounting flanges on all panels and fillers are 1-1/2" long typical.
1. Adjustable kneespace panels accommodate the width of the opening and are formed with mounting flanges. Panels are fabricated in various standard heights to fit most openings.
 2. Front base fillers are fabricated with a 4" high x 3" deep toe space at bottom to match base cabinet profile. Rear base fillers are fabricated the same but without toe base for side applications. Corner toe space fillers are 4" x 4" high to close off the toe space area between base cabinets in 90° corners.
 3. Sloping tops are formed with a 30° slope. Straight [soffit] panels are available upon request.
- H. Hardware:
1. Drawer and door pulls to be aluminum wire pulls with 4" centers. Sliding door pulls are recessed.
 2. Base unit hinges to be stainless steel, institutional type with a five-knuckle, bullet-type barrel. Hinges shall be attached to both door and case with heavy steel screws through each leaf. Welding to doors or case is not acceptable.

CABINET SPECIFICATIONS - SHORT FORM

3. Door catches to be nylon roller catch type. Use of an active knob and up-and-down bolt assembly will be acceptable only on such special units as solvent storage cabinets or metal floor cases; doors on such units will be locking type.
4. Shelf clips for adjustable shelves shall be nickel-plated steel. A channel shall be provided to support the half-depth shelves.
5. Sink supports shall be of the hanger type, suspended from the top side horizontal 1-1/2" Unistrut rails of the cabinets by four (4) 1/4" rods, threaded at the bottom and offset 1/4" at top to hang from full-length support angles at side rails.

4. TRIM

- A. Base molding to be black vinyl, sufficiently pliable to permit cementing tightly against cabinet base and floor line to provide a watertight seal. Molding shall be covered at bottom, 4" high and shall be applied continuously around base of cabinets and cases after installation and leveling to cover any shims and to effect floor seal.

5. FINISH

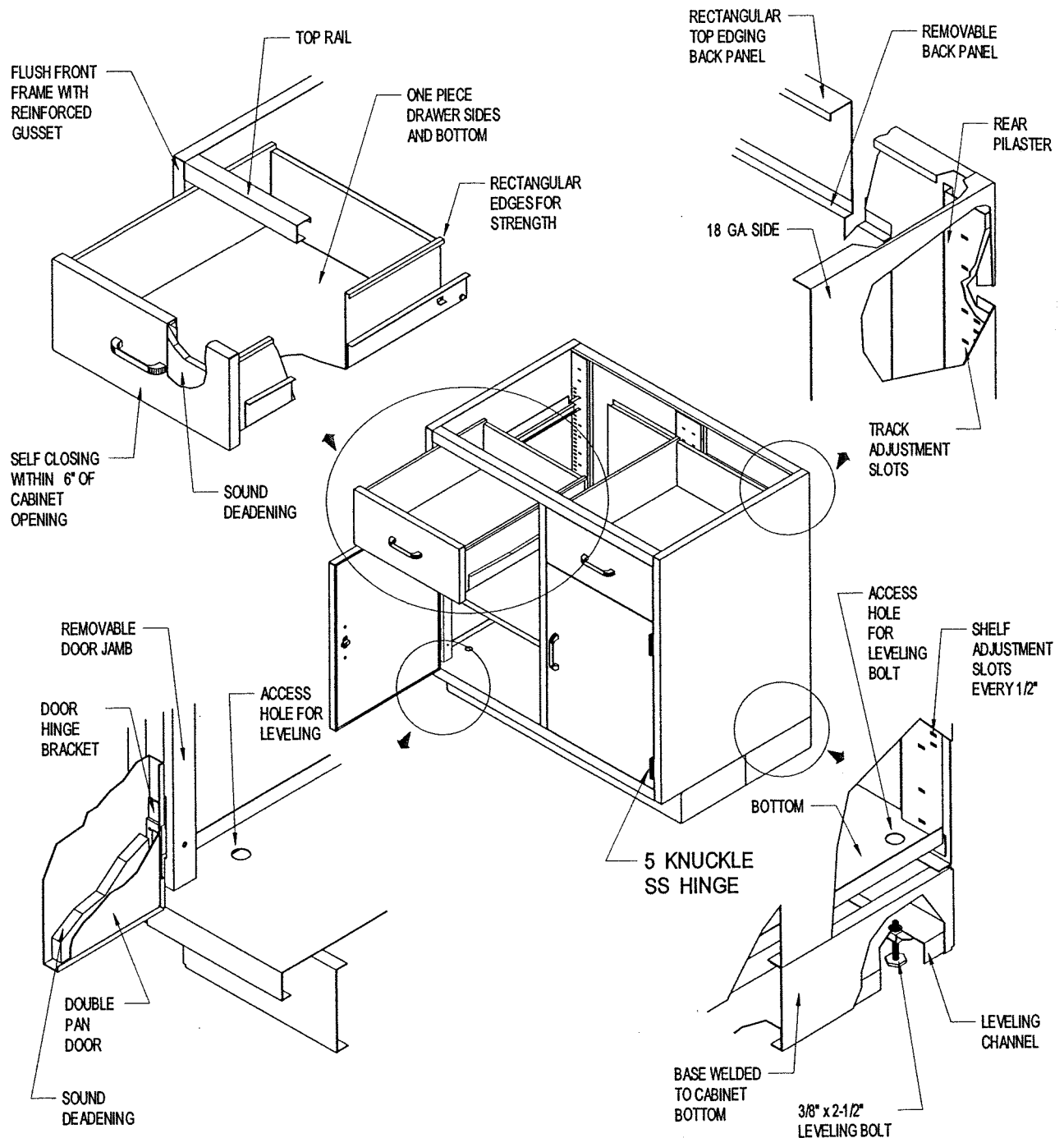
- A. A multi-step finishing process is used to prepare cabinets for painting.
 1. Phosphatizing Process: The units shall be given a pre-paint treatment to ensure excellent paint adhesion and to aid in the prevention of corrosion. Complete cleaning of the metal shall be accomplished by the use of an alkaline cleaner to remove oil, grease and soil. The units shall be rinsed, followed by the application of a phosphate coating to transform the metal surface into a new, non-metallic and conductive surface. The phosphate treated parts shall be rinsed in cold water.

The units shall have all unreacted chemical removed in a chromic acid seal treatment. The completely treated units shall be placed in dry-off oven at high temperature for five (5) minutes to dry the work and stabilize the complete phosphate treatment.
 2. Painting Process: Following the phosphate treatment, a full powder coating of specially formulated acrylic finish shall be applied and baked on at high temperature for fifteen (15) minutes, then cooled to produce optimum coating properties.
 3. Colors: 16 Standard colors available:

Code	Name	Code	Name
A	Champagne	J	Stone Gray
B	Black	L	French Gray
C	Fawn Beige	M	MacBick Beige
D	Velvet Beige	O	Rio Blue
F	Bankers Gray	V	Navy Blue
G	Desert Sage	W	Federal Blue
H	Arctic Blue	Y	Burgundy
I	Model Gray	Z	Wedgewood Blue

*Custom colors or color matching is available upon request.

Cabinet Assembly/Dimensions



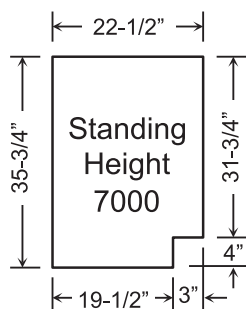
Clear Inside Drawer Dimensions:		Clear Inside Cupboard Dimensions	
Typical Depth	18-1/8" (Front to Back)	Typical Depth	20-7/8" (Front to Back)
3-5/8"H Drawer	2-7/8" High	Full Height	29"
7-1/4"H Drawer	6-1/2" High	2 Drawer Height	14-1/2"
14-1/2"H Drawer	13-3/4" High	3 Drawer Height	21-3/4"
18"W Cabinet	14-3/4" Wide	18"W Cabinet	14-5/8" Total Inside; 17-7/8" Clear Inside
24"W Cabinet	20-3/4" Wide	24"W Cabinet	20-5/8" Total Inside; 23-7/8" Clear Inside
35"W Cabinet	31-3/4" Wide for full width drawer or (2) at 14-3/4"	35"W Cabinet	31-5/8" Total Inside (Upright Removed); 34-7/8" Clear Inside
47"W Cabinet	43-3/4" Wide for full width drawer or (2) at 20-3/4"	47"W Cabinet	43-5/8" Total Inside (Upright Removed); 46-7/8" Clear Inside
			Single Door Combo Unit 20-5/8" Total Inside

Standing Height Base Cabinets

7000 Series - Single Units

Dimensions:

End View

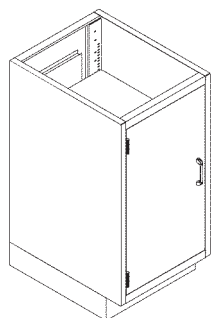


Product Features:

- * Shelves are adjustable in 1/2" increments.
- * All cabinets have removable rear access panels.

Ordering Information:

- * Specify swing for cupboard doors on *single* units by substituting '-' with 'R' or 'L' after series number (Units are shown with *left* swing). Ex. 7009R24 for right swing cupboard unit, 24" wide.
- * For finished backs, add suffix 'FB' to end of model number (Ex. 7001R24FB).
- * Specify locks if required.

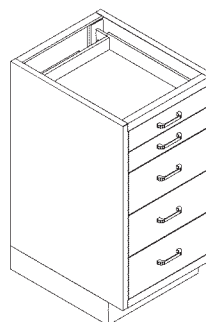


Model 7001

Unit includes full height cupboard with one adjustable shelf.

7001-18 = 18" Wide

7001-24 = 24" Wide

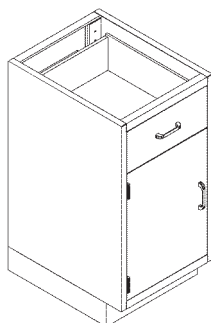


Model 7005

Unit includes two 3-5/8" drawers above three 7-1/4" drawers.

7005-18 = 18" Wide

7005-24 = 24" Wide

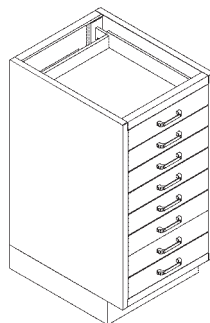


Model 7002

Unit includes one 7-1/4" drawer above cupboard with one adjustable shelf.

7002-18 = 18" Wide

7002-24 = 24" Wide

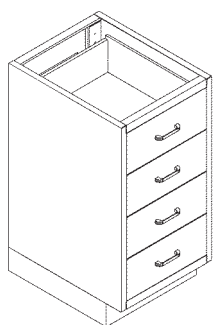


Model 7006

Unit includes eight 3-5/8" drawers.

7006-18 = 18" Wide

7006-24 = 24" Wide

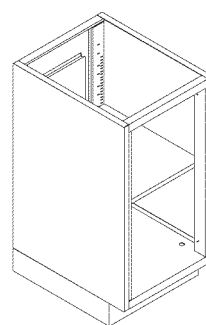


Model 7004

Unit includes four 7-1/4" drawers.

7004-18 = 18" Wide

7004-24 = 24" Wide



Model 7008

Open unit includes one adjustable shelf.

7008-18 = 18" Wide

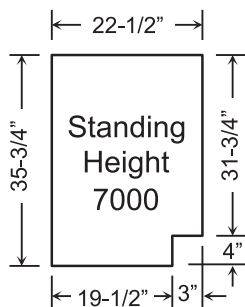
7008-24 = 24" Wide

Standing Height Base Cabinets

7000 Series - Single Units

Dimensions:

End View

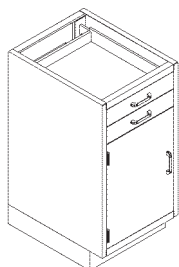


Product Features:

- * Shelves are adjustable in 1/2" increments.
- * All cabinets have removable rear access panels.
- * All file drawers have follow-blocks and full extension slides.

Ordering Information:

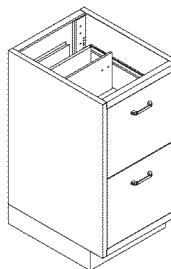
- * Specify swing for cupboard doors on *single* units by substituting '-' with 'R' or 'L' after series number (Units are shown with *left* swing). Ex. 7009R24 for right swing cupboard unit, 24" wide.
- * For finished backs, add suffix 'FB' to end of model number (Ex. 7010-24FB).
- * Specify locks if required.



Model 7009

Unit includes two 3-5/8" drawers above cupboard with one adjustable shelf.

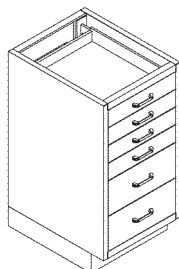
7009-18 = 18" Wide
7009-24 = 24" Wide



Model 7013

Unit includes two 14-1/2" file drawers.

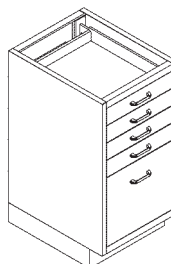
7013-18 = 18" Wide
7013-24 = 24" Wide



Model 7010

Unit includes four 3-5/8" drawers above two 7-1/4" drawers.

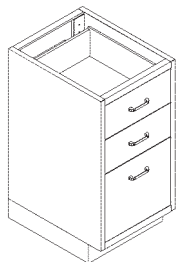
7010-18 = 18" Wide
7010-24 = 24" Wide



Model 7014

Unit includes four 3-5/8" drawers above 14-1/2" file drawer.

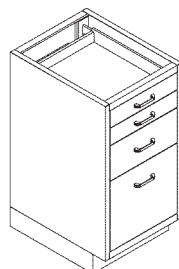
7014-18 = 18" Wide
7014-24 = 24" Wide



Model 7011

Unit includes two 7-1/4" drawers above 14-1/2" file drawer.

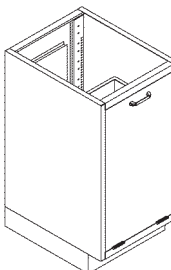
7011-18 = 18" Wide
7011-24 = 24" Wide



Model 7012

Unit includes two 3-5/8" drawers above 7-1/4" drawer and 14-1/2" file drawer.

7012-18 = 18" Wide
7012-24 = 24" Wide



Model 7017

Trash unit includes tilt-out door with attached waste container.

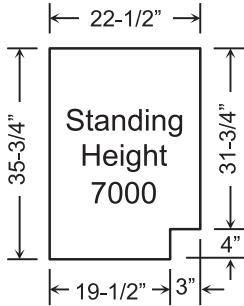
7017-18 = 18" Wide
7017-24 = 24" Wide

Standing Height Base Cabinets

7100 Series - Double & Combination Units

Dimensions:

End View

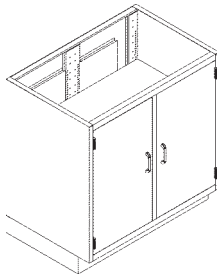


Product Features:

- * Shelves are adjustable in 1/2" increments.
- * All cabinets have removable rear access panels.

Ordering Information:

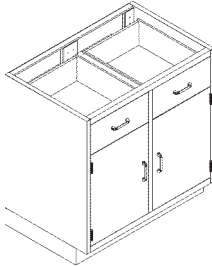
- * For finished backs, add suffix 'FB' to model number.
- * Specify locks if required.



Model 7101

Unit includes one full width adjustable shelf.

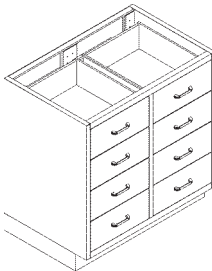
- | | |
|--------------------|--------------------|
| 7101-29 = 29" Wide | 7101-41 = 41" Wide |
| 7101-35 = 35" Wide | 7101-47 = 47" Wide |



Model 7102

Unit includes two 7-1/4" drawers above two cupboards, and one full width adjustable shelf.

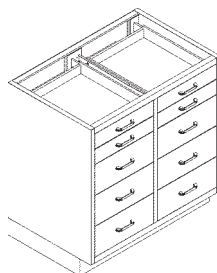
- | | |
|--------------------|--------------------|
| 7102-29 = 29" Wide | 7102-41 = 41" Wide |
| 7102-35 = 35" Wide | 7102-47 = 47" Wide |



Model 7104

Unit includes eight 7-1/4" drawers.

- | | |
|--------------------|--------------------|
| 7104-29 = 29" Wide | 7104-41 = 41" Wide |
| 7104-35 = 35" Wide | 7104-47 = 47" Wide |



Model 7105

Unit includes four 3-5/8" drawers above six 7-1/4" drawers.

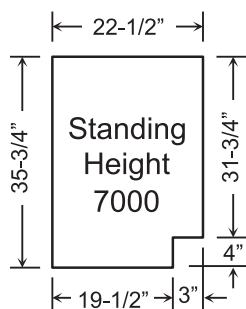
- | | |
|--------------------|--------------------|
| 7105-29 = 29" Wide | 7105-41 = 41" Wide |
| 7105-35 = 35" Wide | 7105-47 = 47" Wide |

Standing Height Base Cabinets

7100 Series - Double & Combination Units

Dimensions:

End View

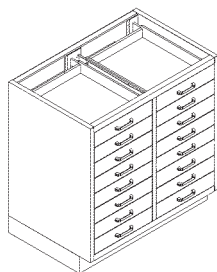


Product Features:

- * Shelves are adjustable in 1/2" increments.
- * All cabinets have removable rear access panels.

Ordering Information:

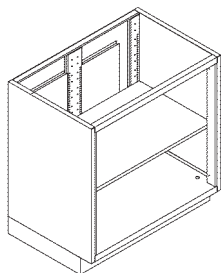
- * Specify right or left side cupboard door on *combination* units by substituting '-' with 'L' or 'R' after series number (Units are shown with right side doors) Ex. 7110L35 for left side door.
- * For finished backs, add suffix 'FB' to model number.
- * Specify locks if required.



Model 7106

Unit includes sixteen 3-5/8" drawers.

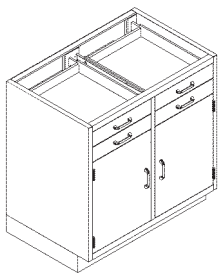
- | | |
|--------------------|--------------------|
| 7106-29 = 29" Wide | 7106-41 = 41" Wide |
| 7106-35 = 35" Wide | 7106-47 = 47" Wide |



Model 7108

Unit includes one full width adjustable shelf.

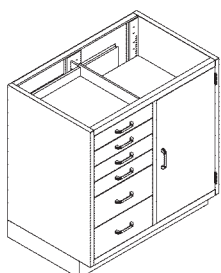
- | | |
|--------------------|--------------------|
| 7108-29 = 29" Wide | 7108-41 = 41" Wide |
| 7108-35 = 35" Wide | 7108-47 = 47" Wide |



Model 7109

Unit includes four 3-5/8" drawers above two cupboards, and one full width adjustable shelf.

- | | |
|--------------------|--------------------|
| 7109-29 = 29" Wide | 7109-41 = 41" Wide |
| 7109-35 = 35" Wide | 7109-47 = 47" Wide |



Model 7110

Combination unit includes four 3-5/8" drawers above two 7-1/4" drawers, and full height cupboard with one half-width adjustable shelf.

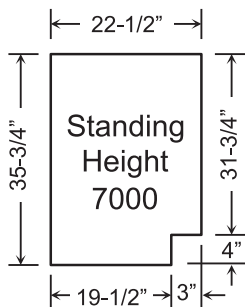
- | | |
|--------------------|--------------------|
| 7110-29 = 29" Wide | 7110-41 = 41" Wide |
| 7110-35 = 35" Wide | 7110-47 = 47" Wide |

Standing Height Base Cabinets

7100 Series - Double & Combination Units

Dimensions:

End View

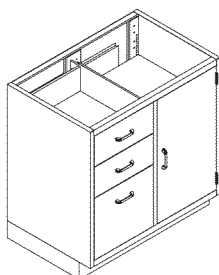


Product Features:

- * Shelves are adjustable in 1/2" increments.
- * All cabinets have removable rear access panels.
- * All file drawers have follow-blocks and full extension slides.

Ordering Information:

- * Specify right or left side cupboard door on *combination* units by substituting '-' with 'L' or 'R' after series number (Units are shown with right side doors) Ex. 7111L35 for left side door.
- * For finished backs, add suffix 'FB' to model number.
- * If locks are required, specify quantity and location (drawer or door) for each unit.



Model 7111

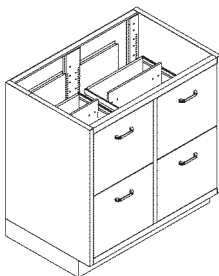
Combination unit includes two 7-1/4" drawers above 14-1/2" file drawer, and full height cupboard with one half-width adjustable shelf.

7111-29 = 29" Wide

7111-41 = 41" Wide

7111-35 = 35" Wide

7111-47 = 47" Wide



Model 7113

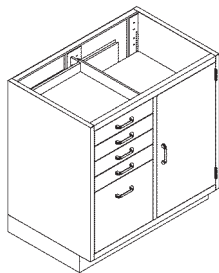
Combination unit includes four 14-1/2" file drawers.

7113-29 = 29" Wide

7113-41 = 41" Wide

7113-35 = 35" Wide

7113-47 = 47" Wide



Model 7114

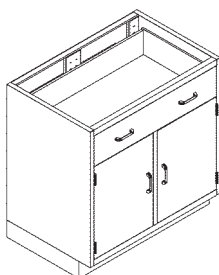
Combination unit includes four 3-5/8" drawers above one 14-1/2" file drawer, and full height cupboard with one half-width adjustable shelf.

7114-29 = 29" Wide

7114-41 = 41" Wide

7114-35 = 35" Wide

7114-47 = 47" Wide



Model 7119

Unit includes one 7-1/4" full-width drawer above two cupboards, and one full width adjustable shelf.

7119-29 = 29" Wide

7119-41 = 41" Wide

7119-35 = 35" Wide

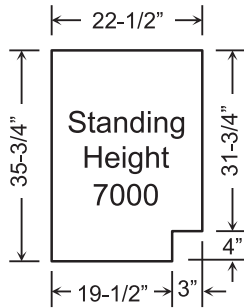
7119-47 = 47" Wide

Standing Height Base Cabinets

7100 Series - Double & Combination Units

Dimensions:

End View

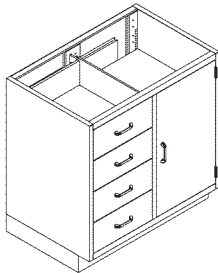


Product Features:

- * Shelves are adjustable in 1/2" increments.
- * All cabinets have removable rear access panels.

Ordering Information:

- * Specify right or left side cupboard door on *combination* units by substituting '-' with 'L' or 'R' after series number (Units are shown with right side doors) Ex. 7121L35 for left side door.
- * For finished backs, add suffix 'FB' to model number.
- * If locks are required, specify quantity and location (drawer or door) for each unit.



Model 7121

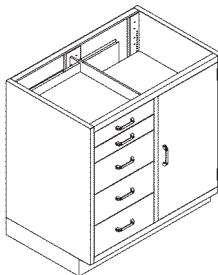
Combination unit includes four 7-1/4" drawers, and full height cupboard with one half-width adjustable shelf.

7121-29 = 29" Wide

7121-41 = 41" Wide

7121-35 = 35" Wide

7121-47 = 47" Wide



Model 7122

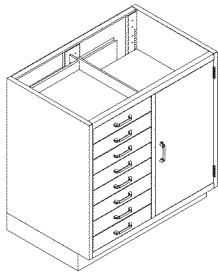
Combination unit includes two 3-5/8" drawers above three 7-1/4" drawers, and full height cupboard with one half-width adjustable shelf.

7122-29 = 29" Wide

7122-41 = 41" Wide

7122-35 = 35" Wide

7122-47 = 47" Wide



Model 7124

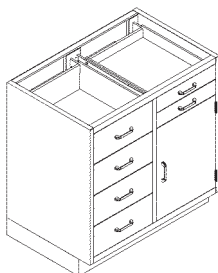
Combination unit includes eight 3-5/8" drawers, and full height cupboard with one half-width adjustable shelf.

7124-29 = 29" Wide

7124-41 = 41" Wide

7124-35 = 35" Wide

7124-47 = 47" Wide



Model 7125

Combination unit includes four 7-1/4" drawers, and two 3-5/8" drawers above cupboard with one half-width adjustable shelf.

7125-29 = 29" Wide

7125-41 = 41" Wide

7125-35 = 35" Wide

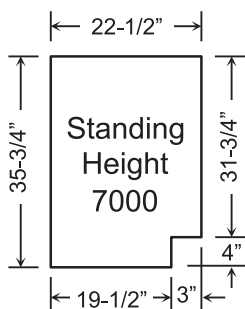
7125-47 = 47" Wide

Standing Height Base Cabinets

7100 Series - Double & Combination Units

Dimensions:

End View

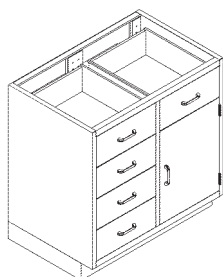


Product Features:

- * Shelves are adjustable in 1/2" increments.
- * All cabinets have removable rear access panels.

Ordering Information:

- * Specify right or left side cupboard door on *combination* units by substituting '-' with 'L' or 'R' after series number (Units are shown with right side doors) Ex. 7126L35 for left side door.
- * For finished backs, add suffix 'FB' to model number.
- * If locks are required, specify quantity and location (drawer or door) for each unit.



Model 7126

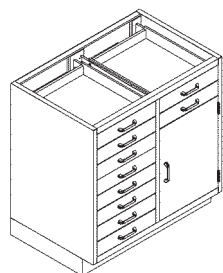
Combination unit includes five 7-1/4" drawers, with one drawer above cupboard with one half-width adjustable shelf.

7126-29 = 29" Wide

7126-41 = 41" Wide

7126-35 = 35" Wide

7126-47 = 47" Wide



Model 7127

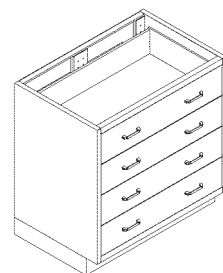
Combination unit includes ten 3-5/8" drawers, with two drawers above cupboard with one half-width adjustable shelf.

7127-29 = 29" Wide

7127-41 = 41" Wide

7127-35 = 35" Wide

7127-47 = 47" Wide



Model 7130

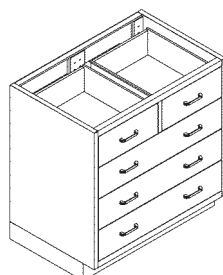
Unit includes four 7-1/4" full-width drawers.

7130-29 = 29" Wide

7130-41 = 41" Wide

7130-35 = 35" Wide

7130-47 = 47" Wide



Model 7131

Unit includes two 7-1/4" drawers above three 7-1/4" full width drawers.

7131-29 = 29" Wide

7131-41 = 41" Wide

7131-35 = 35" Wide

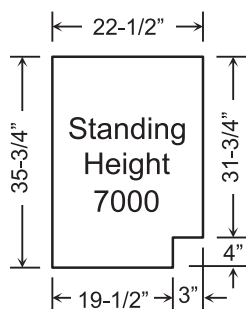
7131-47 = 47" Wide

Standing Height Base Cabinets

7100 Series - Double & Combination Units

Dimensions:

End View

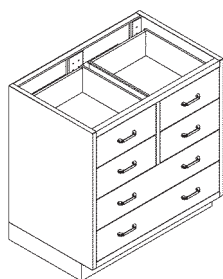


Product Features:

- * Shelves are adjustable in 1/2" increments.
- * All cabinets have removable rear access panels.

Ordering Information:

- * For finished backs, add suffix 'FB' to model number.
- * If locks are required, specify quantity and location (drawer or door) for each unit.



Model 7132

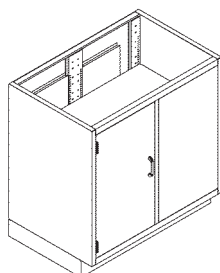
Unit includes four 7-1/4" drawers above two 7-1/4" full width drawers.

7132-29 = 29" Wide

7132-41 = 41" Wide

7132-35 = 35" Wide

7132-47 = 47" Wide



Model 7136

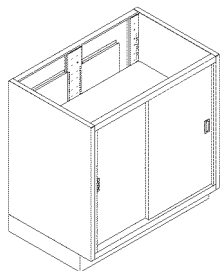
Dead corner unit includes full height cupboard and fixed panel, and one full width adjustable shelf. Specify **Left** or **Right** side cupboard. (Shown with Left Side Cupboard)

7136-29 = 29" Wide

7136-41 = 41" Wide

7136-35 = 35" Wide

7136-47 = 47" Wide



Model 7141

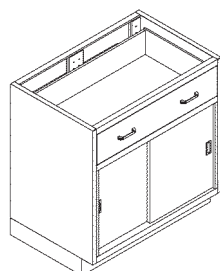
Unit includes full height sliding door cupboard and one full width adjustable shelf.

7141-29 = 29" Wide

7141-41 = 41" Wide

7141-35 = 35" Wide

7141-47 = 47" Wide



Model 7143

Unit includes one 7-1/4" full-width drawer above sliding door cupboard, and one full width adjustable shelf.

7143-29 = 29" Wide

7143-41 = 41" Wide

7143-35 = 35" Wide

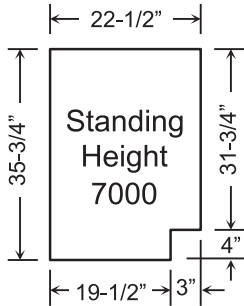
7143-47 = 47" Wide

Standing Height Base Cabinets

7100 Series - Double & Combination Units

Dimensions:

End View

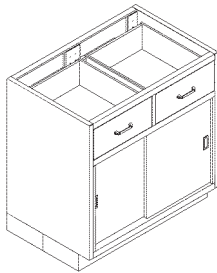


Product Features:

- * Shelves are adjustable in 1/2" increments.
- * All cabinets have removable rear access panels.
- * All file drawers have follow-blocks and full extension slides.

Ordering Information:

- * Specify right or left side cupboard door on *combination* units by substituting '-' with 'L' or 'R' after series number (Units are shown with right side doors) Ex. 7149L35 for left side door.
- * For finished backs, add suffix 'FB' to model number.
- * If locks are required, specify quantity and location (drawer or door) for each unit.



Model 7145

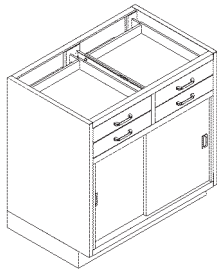
Unit includes two 7-1/4" drawers above sliding door cupboard, and one full width adjustable shelf.

7145-29 = 29" Wide

7145-41 = 41" Wide

7145-35 = 35" Wide

7145-47 = 47" Wide



Model 7146

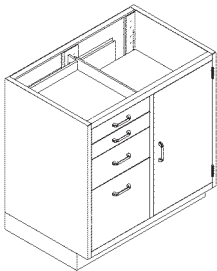
Combination unit includes four 3-5/8" drawers above sliding door cupboard, and full width adjustable shelf.

7146-29 = 29" Wide

7146-41 = 41" Wide

7146-35 = 35" Wide

7146-47 = 47" Wide



Model 7149

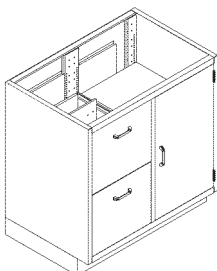
Combination unit includes two 3-5/8" drawers above 7-1/4" drawer and 14-1/2" file drawer with follow-block, and full height cupboard with one half-width adjustable shelf.

7149-29 = 29" Wide

7149-41 = 41" Wide

7149-35 = 35" Wide

7149-47 = 47" Wide



Model 7167

Combination unit includes two 14-1/2" file drawers with follow-blocks, and full height cupboard with one half-width adjustable shelf.

7167-29 = 29" Wide

7167-41 = 41" Wide

7167-35 = 35" Wide

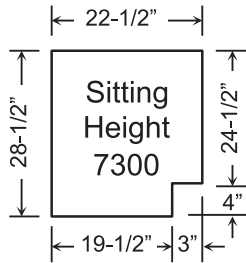
7167-47 = 47" Wide

Sitting Height Base Cabinets

7300 Series - Single Units

Dimensions:

End View

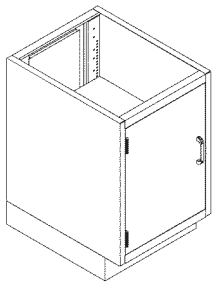


Product Features:

- * Shelves are adjustable in 1/2" increments.
- * All cabinets have removable rear access panels.

Ordering Information:

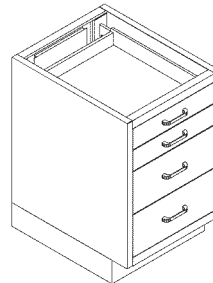
- Specify swing for cupboard doors on *single* units by substituting '-' with 'R' or 'L' after series number (Units are shown with *left* swing). Ex. 7301R24 for right swing cupboard unit, 24" wide).
- * For finished backs, add suffix 'FB' to model number.
 - * Specify locks if required.



Model 7301

Unit includes full height cupboard with one adjustable shelf.

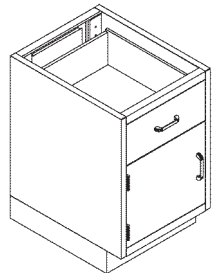
7301-18 = 18" Wide
7301-24 = 24" Wide



Model 7305

Unit includes two 3-5/8" drawers above two 7-1/4" drawers.

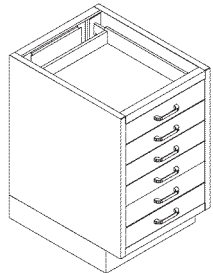
7305-18 = 18" Wide
7305-24 = 24" Wide



Model 7302

Unit includes one 7-1/4" drawer above cupboard with one adjustable shelf.

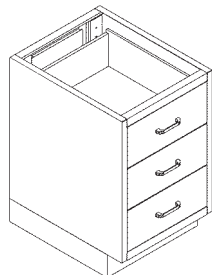
7302-18 = 18" Wide
7302-24 = 24" Wide



Model 7306

Unit includes six 3-5/8" drawers.

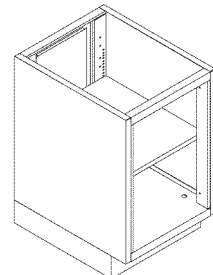
7306-18 = 18" Wide
7306-24 = 24" Wide



Model 7304

Unit includes three 7-1/4" drawers.

7304-18 = 18" Wide
7304-24 = 24" Wide



Model 7308

Open unit includes one adjustable shelf.

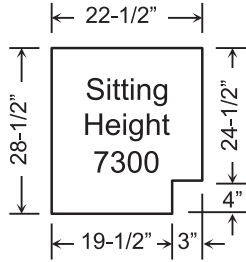
7308-18 = 18" Wide
7308-24 = 24" Wide

Sitting Height Base Cabinets

7300 Series - Single Units

Dimensions:

End View



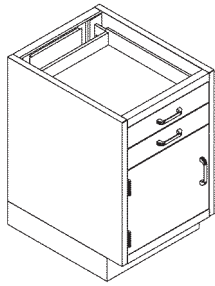
Product Features:

- * Shelves are adjustable in 1/2" increments.
- * All cabinets have removable rear access panels.
- * All file drawers have follow-blocks and full extension slides.

Ordering Information:

Specify swing for cupboard doors on *single* units by substituting '-' with 'R' or 'L' after series number (Units are shown with *left* swing). Ex. 7309**R**24 for right swing cupboard unit, 24" wide

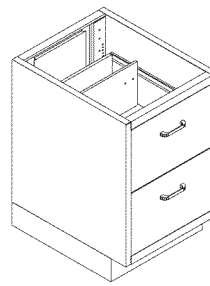
- * For finished backs, add suffix 'FB' to model number.
- * Specify locks if required.



Model 7309

Unit includes two 3-5/8" drawers above cupboard with one adjustable shelf.

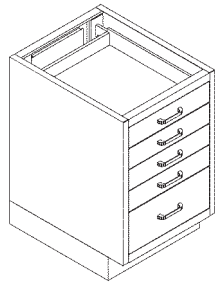
- 7309-18 = 18" Wide
- 7309-24 = 24" Wide



Model 7313

Unit includes two 10-7/8" file drawers.

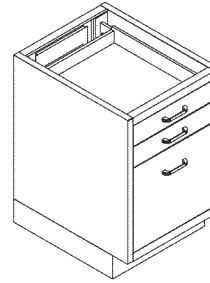
- 7313-18 = 18" Wide
- 7313-24 = 24" Wide



Model 7310

Unit includes four 3-5/8" drawers above one 7-1/4" drawer.

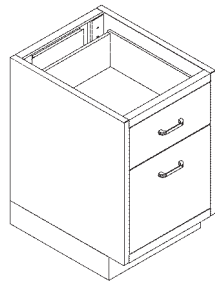
- 7310-18 = 18" Wide
- 7310-24 = 24" Wide



Model 7314

Unit includes two 3-5/8" drawers above 14-1/2" file drawer.

- 7314-18 = 18" Wide
- 7314-24 = 24" Wide



Model 7311

Unit includes one 7-1/4" drawer above 14-1/2" file drawer.

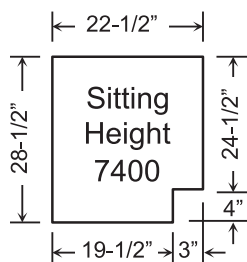
- 7311-18 = 18" Wide
- 7311-24 = 24" Wide

Sitting Height Base Cabinets

7400 Series - Double & Combination Units

Dimensions:

End View

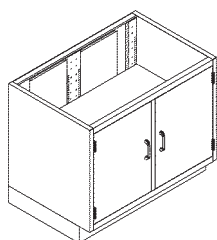


Product Features:

- * Shelves are adjustable in 1/2" increments.
- * All cabinets have removable rear access panels.

Ordering Information:

- * For finished backs, add suffix 'FB' to model number.
- * Specify locks if required.



Model 7401

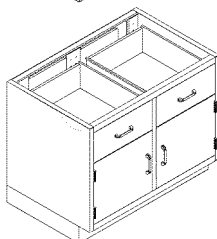
Unit includes one full width adjustable shelf.

7401-29 = 29" Wide

7401-41 = 41" Wide

7401-35 = 35" Wide

7401-47 = 47" Wide



Model 7402

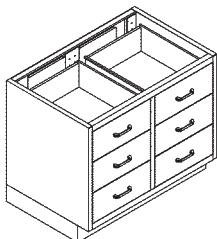
Unit includes two 7-1/4" drawers above two cupboards.

7402-29 = 29" Wide

7402-41 = 41" Wide

7402-35 = 35" Wide

7402-47 = 47" Wide



Model 7404

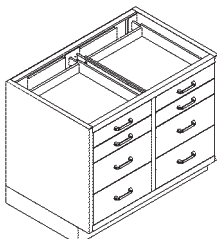
Unit includes six 7-1/4" drawers.

7404-29 = 29" Wide

7404-41 = 41" Wide

7404-35 = 35" Wide

7404-47 = 47" Wide



Model 7405

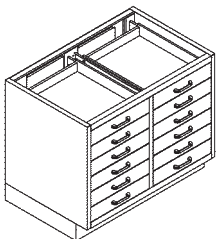
Unit includes four 3-5/8" drawers above four 7-1/4" drawers.

7405-29 = 29" Wide

7405-41 = 41" Wide

7405-35 = 35" Wide

7405-47 = 47" Wide



Model 7406

Unit includes twelve 3-5/8" drawers.

7406-29 = 29" Wide

7406-41 = 41" Wide

7406-35 = 35" Wide

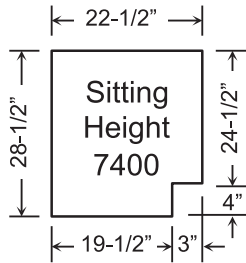
7406-47 = 47" Wide

Sitting Height Base Cabinets

7400 Series - Double & Combination Units

Dimensions:

End View

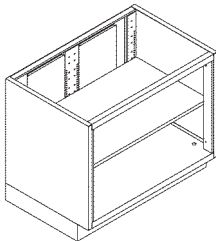


Product Features:

- * Shelves are adjustable in 1/2" increments.
- * All cabinets have removable rear access panels.
- * All file drawers have follow-blocks and full extension slides.

Ordering Information:

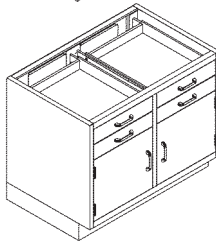
- * Specify right or left side cupboard door on *combination* units by substituting '-' with 'L' or 'R' after series number (Units are shown with right side doors) Ex. 7411L35 for left side door.
- * For finished backs, add suffix 'FB' to model number.
- * Specify locks if required.



Model 7408

Unit includes one full width adjustable shelves.

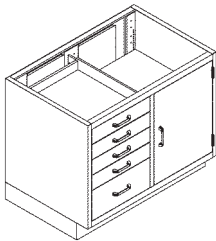
- | | |
|--------------------|--------------------|
| 7408-29 = 29" Wide | 7408-41 = 41" Wide |
| 7408-35 = 35" Wide | 7408-47 = 47" Wide |



Model 7409

Unit includes four 3-5/8" drawers above two cupboards.

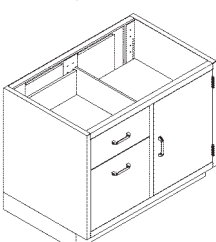
- | | |
|--------------------|--------------------|
| 7409-29 = 29" Wide | 7409-41 = 41" Wide |
| 7409-35 = 35" Wide | 7409-47 = 47" Wide |



Model 7410

Combination unit includes four 3-5/8" drawers above one 7-1/4" drawers, and full height cupboard with one half-width adjustable shelf.

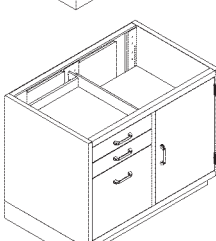
- | | |
|--------------------|--------------------|
| 7410-29 = 29" Wide | 7410-41 = 41" Wide |
| 7410-35 = 35" Wide | 7410-47 = 47" Wide |



Model 7411

Combination unit includes one 7-1/4" drawer above 14-1/2" file drawer, and full height cupboard with one half-width adjustable shelf.

- | | |
|--------------------|--------------------|
| 7411-29 = 29" Wide | 7411-41 = 41" Wide |
| 7411-35 = 35" Wide | 7411-47 = 47" Wide |



Model 7414

Combination unit includes two 3-5/8" drawers above one 14-1/2" file drawer, and full height cupboard with one half-width adjustable shelf.

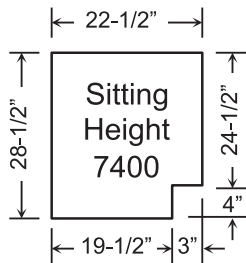
- | | |
|--------------------|--------------------|
| 7414-29 = 29" Wide | 7414-41 = 41" Wide |
| 7414-35 = 35" Wide | 7414-47 = 47" Wide |

Sitting Height Base Cabinets

7400 Series - Double & Combination Units

Dimensions:

End View

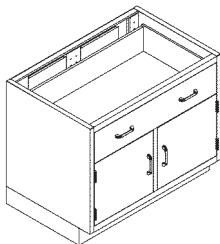


Product Features:

- * Shelves are adjustable in 1/2" increments.
- * All cabinets have removable rear access panels.

Ordering Information:

- * Specify right or left side cupboard door on *combination* units by substituting '-' with 'L' or 'R' after series number (Units are shown with right side doors) Ex. 7425L35 for left side door.
- * For finished backs, add suffix 'FB' to model number.
- * Specify locks if required



Model 7419

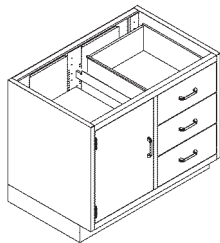
Unit includes one 7-1/4" full-width drawer above two cupboards.

7419-29 = 29" Wide

7419-41 = 41" Wide

7419-35 = 35" Wide

7419-47 = 47" Wide



Model 7421

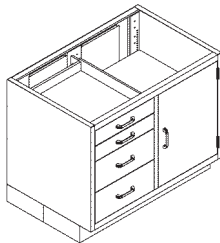
Combination unit includes three 7-1/4" drawers, and full height cupboard with one half-width adjustable shelf. (Unit shown with left side door)

7421-29 = 29" Wide

7421-41 = 41" Wide

7421-35 = 35" Wide

7421-47 = 47" Wide



Model 7422

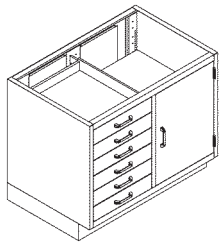
Combination unit includes two 3-5/8" drawers above two 7-1/4" drawers, and full height cupboard with one half-width adjustable shelf.

7422-29 = 29" Wide

7422-41 = 41" Wide

7422-35 = 35" Wide

7422-47 = 47" Wide



Model 7424

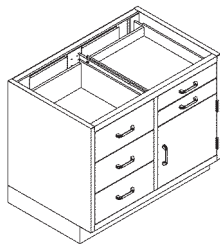
Combination unit includes six 3-5/8" drawers, and full height cupboard with one half-width adjustable shelf.

7424-29 = 29" Wide

7424-41 = 41" Wide

7424-35 = 35" Wide

7424-47 = 47" Wide



Model 7425

Combination unit includes three 7-1/4" drawers, and two 3-5/8" drawers above cupboard with one half-width adjustable shelf.

7425-29 = 29" Wide

7425-41 = 41" Wide

7425-35 = 35" Wide

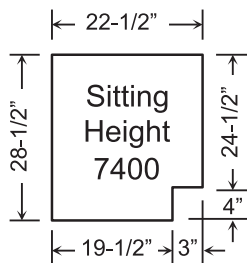
7425-47 = 47" Wide

Sitting Height Base Cabinets

7400 Series - Double & Combination Units

Dimensions:

End View

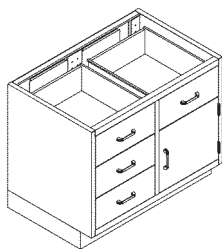


Product Features:

- * Shelves are adjustable in 1/2" increments.
- * All cabinets have removable rear access panels.

Ordering Information:

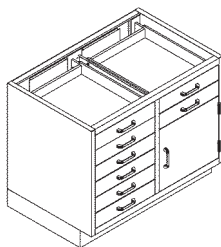
- * Specify right or left side cupboard door on *combination* units by substituting '-' with 'L' or 'R' after series number (Units are shown with right side doors) Ex. 7426**L**35 for left side door.
- * For finished backs, add suffix '**FB**' to model number.
- * Specify locks if required.



Model 7426

Combination unit includes four 7-1/4" drawers, with one drawer above cupboard with one half-width adjustable shelf.

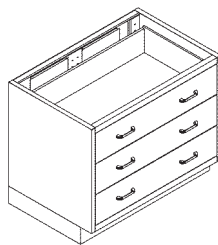
- | | |
|--------------------|--------------------|
| 7426-29 = 29" Wide | 7426-41 = 41" Wide |
| 7426-35 = 35" Wide | 7426-47 = 47" Wide |



Model 7427

Combination unit includes eight 3-5/8" drawers, with two drawers above cupboard with one half-width adjustable shelf.

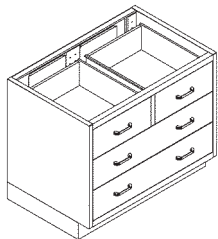
- | | |
|--------------------|--------------------|
| 7427-29 = 29" Wide | 7427-41 = 41" Wide |
| 7427-35 = 35" Wide | 7427-47 = 47" Wide |



Model 7430

Unit includes three 7-1/4" full-width drawers.

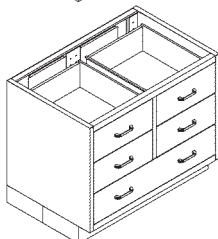
- | | |
|--------------------|--------------------|
| 7430-29 = 29" Wide | 7430-41 = 41" Wide |
| 7430-35 = 35" Wide | 7430-47 = 47" Wide |



Model 7431

Unit includes two 7-1/4" drawers above two 7-1/4" full width drawers.

- | | |
|--------------------|--------------------|
| 7431-29 = 29" Wide | 7431-41 = 41" Wide |
| 7431-35 = 35" Wide | 7431-47 = 47" Wide |



Model 7432

Unit includes four 7-1/4" drawers above one 7-1/4" full width drawer.

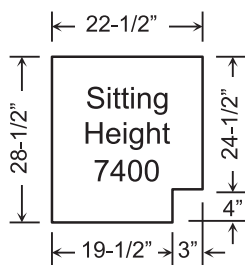
- | | |
|--------------------|--------------------|
| 7432-29 = 29" Wide | 7432-41 = 41" Wide |
| 7432-35 = 35" Wide | 7432-47 = 47" Wide |

Sitting Height Base Cabinets

7400 Series - Double & Combination Units

Dimensions:

End View

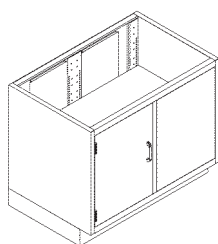


Product Features:

- * Shelves are adjustable in 1/2" increments.
- * All cabinets have removable rear access panels.

Ordering Information:

- * For finished backs, add suffix 'FB' to model number.
- * Specify locks if required.



Model 7436

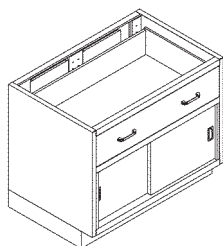
Dead corner unit includes full height cupboard and fixed panel, and one full width adjustable shelf. Specify **Left** or **Right** cupboard. (Shown with Left Side cupboard)

7436-29 = 29" Wide

7436-41 = 41" Wide

7436-35 = 35" Wide

7436-47 = 47" Wide



Model 7443

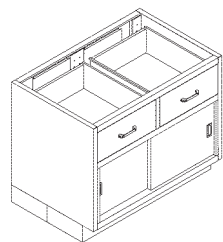
Unit includes one 7-1/4" full-width drawer above sliding door cupboard.

7443-29 = 29" Wide

7443-41 = 41" Wide

7443-35 = 35" Wide

7443-47 = 47" Wide



Model 7445

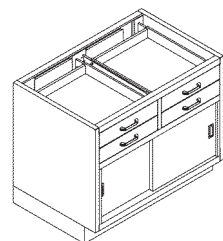
Unit includes two 7-1/4" drawers above sliding door cupboard.

7445-29 = 29" Wide

7445-41 = 41" Wide

7445-35 = 35" Wide

7445-47 = 47" Wide



Model 7446

Combination unit includes four 3-5/8" drawers above sliding door cupboard.

7446-29 = 29" Wide

7446-41 = 41" Wide

7446-35 = 35" Wide

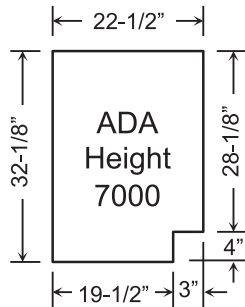
7446-47 = 47" Wide

ADA Height Base Cabinets

7000 Series - Single Units

Dimensions:

End View

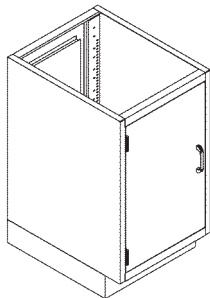


Product Features:

- * Shelves are adjustable in 1/2" increments.
- * All cabinets have removable rear access panels.

Ordering Information:

- * Specify swing for cupboard doors on *single* units by substituting '-' with 'R' or 'L' after series number (Units are shown with left swing). Ex. 7001ADAR24 for right swing door unit, 24" wide.
- * For finished backs, add suffix 'FB' to end of model number (Ex. 7001ADAR24FB).
- * Specify locks if required.

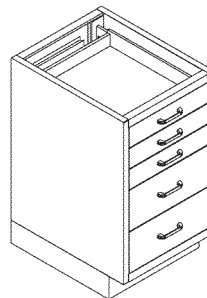


Model 7001ADA

Unit includes full height cupboard with one adjustable shelf.

7001ADA-18 = 18" W

7001ADA-24 = 24" W

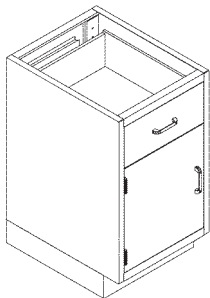


Model 7005ADA

Unit includes three 3-5/8" drawers above two 7-1/4" drawers.

7005ADA-18 = 18" W

7005ADA-24 = 24" W

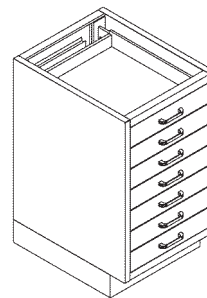


Model 7002ADA

Unit includes one 7-1/4" drawer above cupboard with one adjustable shelf.

7002ADA-18 = 18" W

7002ADA-24 = 24" W

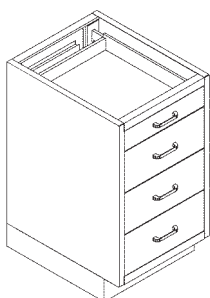


Model 7006ADA

Unit includes seven 3-5/8" drawers.

7006ADA-18 = 18" W

7006ADA-24 = 24" W

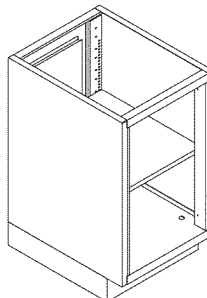


Model 7004ADA

Unit includes one 3-5/8" drawers above three 7-1/4" drawers.

7004ADA-18 = 18" W

7004ADA-24 = 24" W



Model 7008ADA

Open unit includes one adjustable shelf.

7008ADA-18 = 18" W

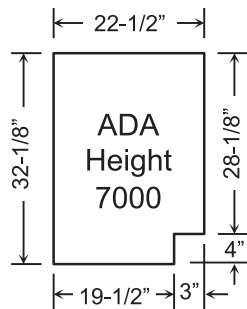
7008ADA-24 = 24" W

ADA Height Base Cabinets

7000 Series - Single Units

Dimensions:

End View

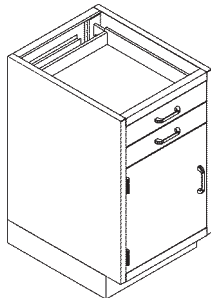


Product Features:

- * Shelves are adjustable in 1/2" increments.
- * All cabinets have removable rear access panels.
- * All file drawers have follow-blocks and full extensions slides.

Ordering Information:

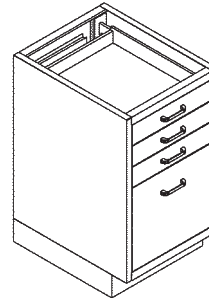
- * Specify swing for cupboard doors on *single* units by substituting '-' with 'R' or 'L' after series number (Units are shown with *left* swing). Ex. 7009ADAR24 for right swing door unit, 24" wide.
- * For finished backs, add suffix 'FB' to end of model number.
- * Specify locks if required.



Model 7009ADA

Unit includes two 3-5/8" drawers above cupboard with one adjustable shelf.

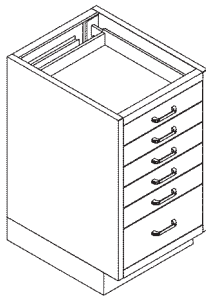
7009ADA-18 = 18" Wide
7009ADA-24 = 24" Wide



Model 7012ADA

Unit includes three 3-5/8" drawers above a 14-1/2" file drawer.

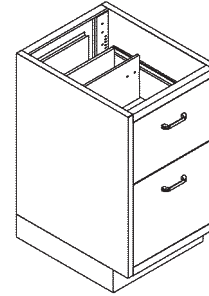
7012ADA-18 = 18" Wide
7012ADA-24 = 24" Wide



Model 7010ADA

Unit includes five 3-5/8" drawers above one 7-1/4" drawers.

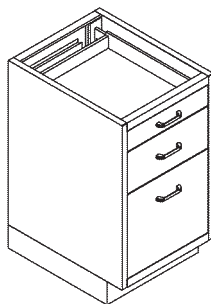
7010ADA-18 = 18" Wide
7010ADA-24 = 24" Wide



Model 7013ADA

Unit includes one 10-7/8" file drawer above a 14-1/2" file drawer.

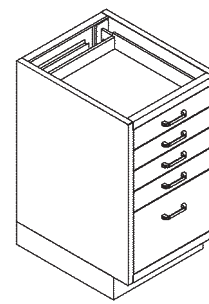
7013ADA-18 = 18" Wide
7013ADA-24 = 24" Wide



Model 7011ADA

Unit includes one 3-5/8" drawer above one 7-1/4" drawer and 14-1/2" file drawer.

7011ADA-18 = 18" Wide
7011ADA-24 = 24" Wide



Model 7014ADA

Open unit includes four 3-5/8" drawers above one 10-7/8" file drawer.

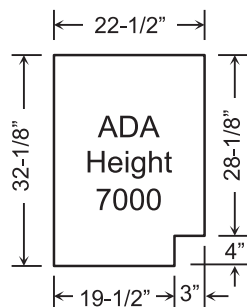
7014ADA-18 = 18" Wide
7014ADA-24 = 24" Wide

ADA Height Base Cabinets

7100 Series - Double & Combination Units

Dimensions:

End View

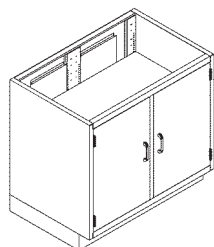


Product Features:

- * Shelves are adjustable in 1/2" increments.
- * All cabinets have removable rear access panels.

Ordering Information:

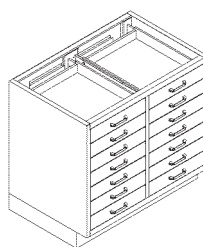
- * Specify right or left side cupboard door by substituting '-L' with 'L' or 'R' after series number (Units are shown with right side doors) Ex. 7110ADAL35 for left side cupboard.
- * For finished backs, add suffix 'FB' to end of model number (Ex. 7110ADAR24FB).
- * Specify locks if required.



Model 7101ADA

Unit includes one full width adjustable shelf.

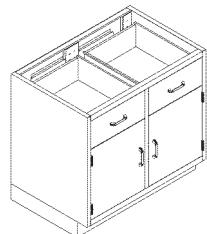
- 7101ADA-29 = 29" W
- 7101ADA-41 = 41" W
- 7101ADA-35 = 35" W
- 7101ADA-47 = 47" W



Model 7106ADA

Unit includes fourteen 3-5/8" drawers.

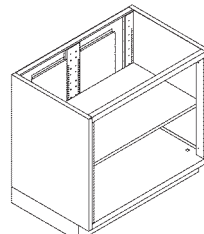
- 7106ADA-29 = 29" W
- 7106ADA-41 = 41" W
- 7106ADA-35 = 35" W
- 7106ADA-47 = 47" W



Model 7102ADA

Unit includes two 7-1/4" drawers above two cupboards, and one full width adjustable shelf.

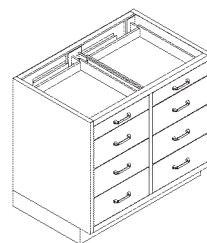
- 7102ADA-29 = 29" W
- 7102ADA-41 = 41" W
- 7102ADA-35 = 35" W
- 7102ADA-47 = 47" W



Model 7108ADA

Unit includes one full width adjustable shelf.

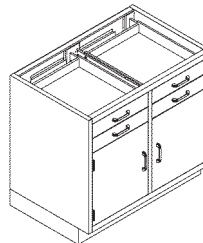
- 7108ADA-29 = 29" W
- 7108ADA-41 = 41" W
- 7108ADA-35 = 35" W
- 7108ADA-47 = 47" W



Model 7104ADA

Unit includes two 3-5/8" drawers above six 7-1/4" drawers.

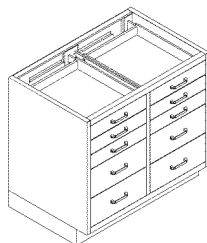
- 7104ADA-29 = 29" W
- 7104ADA-41 = 41" W
- 7104ADA-35 = 35" W
- 7104ADA-47 = 47" W



Model 7109ADA

Unit includes four 3-5/8" drawers above two cupboards, and one full width adjustable shelf.

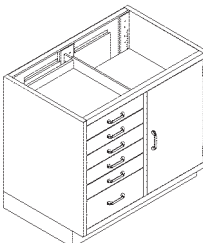
- 7109ADA-29 = 29" W
- 7109ADA-41 = 41" W
- 7109ADA-35 = 35" W
- 7109ADA-47 = 47" W



Model 7105ADA

Unit includes six 3-5/8" drawers above four 7-1/4" drawers.

- 7105ADA-29 = 29" W
- 7105ADA-41 = 41" W
- 7105ADA-35 = 35" W
- 7105ADA-47 = 47" W



Model 7110ADA

Unit includes five 3-5/8" drawers above one 7-1/4" drawer, full height cupboard, one half width adjustable shelf.

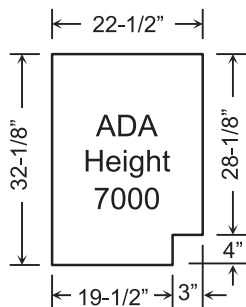
- 7110ADA-29 = 29" W
- 7110ADA-41 = 41" W
- 7110ADA-35 = 35" W
- 7110ADA-47 = 47" W

ADA Height Base Cabinets

7100 Series - Double & Combination Units

Dimensions:

End View



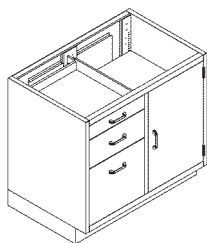
Product Features:

- * Shelves are adjustable in 1/2" increments.
- * All cabinets have removable rear access panels.
- * All file drawers have follow-blocks and full extension slides.

Ordering Information:

- * Specify right or left side cupboard door by substituting '-' with 'L' or 'R' after series number (Units are shown with right side doors) Ex. 7111ADAL35 for left side cupboard.
- * For finished backs, add suffix 'FB' to end of model number.
- * Specify locks if required.

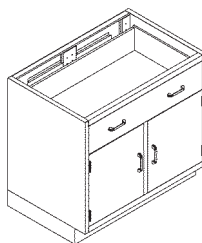
Model 7111ADA



Unit includes one 3-5/8" drawer above one 7-1/4" drawer, and 14-1/2" file drawer, full height cupboard, one half width adjustable shelf.

- 7111ADA-29 = 29" W
- 7111ADA-41 = 41" W
- 7111ADA-35 = 35" W
- 7111ADA-47 = 47" W

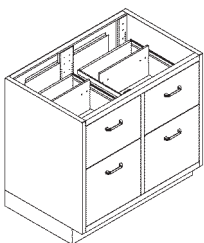
Model 7119ADA



Unit includes one 7-1/4" full-width drawer above two cupboards, one full width adjustable shelf.

- 7119ADA-29 = 29" W
- 7119ADA-41 = 41" W
- 7119ADA-35 = 35" W
- 7119ADA-47 = 47" W

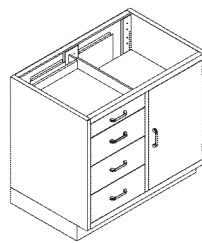
Model 7113ADA



Unit includes two 10-7/8" file drawers, above two 14-1/2" file drawers.

- 7113ADA-29 = 29" W
- 7113ADA-41 = 41" W
- 7113ADA-35 = 35" W
- 7113ADA-47 = 47" W

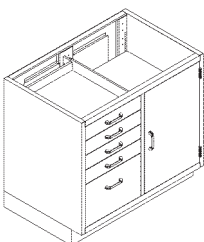
Model 7121ADA



Unit includes one 3-5/8" drawer above three 7-1/4" drawers, full height cupboard, one half width adjustable shelf.

- 7121ADA-29 = 29" W
- 7121ADA-41 = 41" W
- 7121ADA-35 = 35" W
- 7121ADA-47 = 47" W

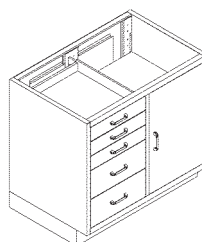
Model 7114ADA



Unit includes four 3-5/8" drawers above one 14-1/2" file drawer, full height cupboard, one half width adjustable shelf.

- 7114ADA-29 = 29" W
- 7114ADA-41 = 41" W
- 7114ADA-35 = 35" W
- 7114ADA-47 = 47" W

Model 7122ADA



Unit includes three 3-5/8" drawers above two 7-1/4" drawers, full height cupboard, one half width adjustable shelf.

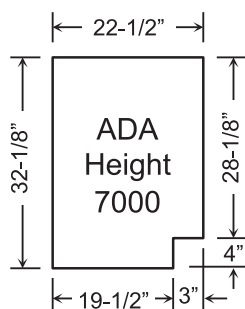
- 7122ADA-29 = 29" W
- 7122ADA-41 = 41" W
- 7122ADA-35 = 35" W
- 7122ADA-47 = 47" W

ADA Height Base Cabinets

7100 Series - Double & Combination Units

Dimensions:

End View



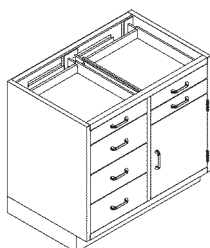
Product Features:

- * Shelves are adjustable in 1/2" increments.
- * All cabinets have removable rear access panels.
- * All file drawers have follow-blocks and full extension slides.

Ordering Information:

- * Specify right or left side cupboard door by substituting '-' with 'L' or 'R' after series number (Units are shown with right side doors) Ex. 7125ADAL35 for left side cupboard.
- * For finished backs, add suffix 'FB' to end of model number.
- * Specify locks if required.

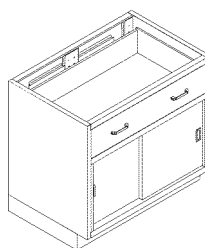
Model 7125ADA



Unit includes three 3-5/8" drawers above three 7-1/4" drawers, cupboard, one half width adjustable shelf.

- 7125ADA-29 = 29" W
- 7125ADA-41 = 41" W
- 7125ADA-35 = 35" W
- 7125ADA-47 = 47" W

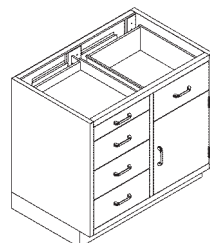
Model 7143ADA



Unit includes one 7-1/4" full width drawer above sliding door cupboard, one full width adjustable shelf.

- 7143ADA-29 = 29" W
- 7143ADA-41 = 41" W
- 7143ADA-35 = 35" W
- 7143ADA-47 = 47" W

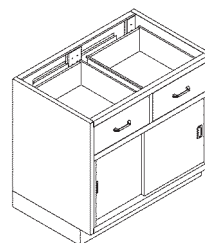
Model 7126ADA



Unit includes one 3-5/8" drawer, four 7-1/4" drawers, cupboard, one half width adjustable shelf.

- 7126ADA-29 = 29" W
- 7126ADA-41 = 41" W
- 7126ADA-35 = 35" W
- 7126ADA-47 = 47" W

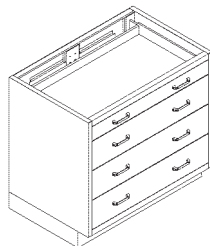
Model 7145ADA



Unit includes two 7-1/4" drawers above sliding door cupboard, one full width adjustable shelf.

- 7145ADA-29 = 29" W
- 7145ADA-41 = 41" W
- 7145ADA-35 = 35" W
- 7145ADA-47 = 47" W

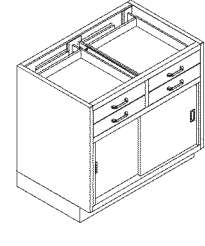
Model 7130ADA



Unit includes one 3-5/8" full width drawer above three 7-1/4" drawers.

- 7130ADA-29 = 29" W
- 7130ADA-41 = 41" W
- 7130ADA-35 = 35" W
- 7130ADA-47 = 47" W

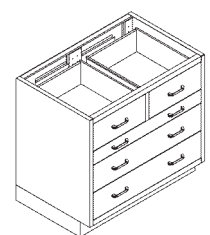
Model 7146ADA



Unit includes four 3-5/8" drawers, above sliding door cupboard, one full width adjustable shelf.

- 7146ADA-29 = 29" W
- 7146ADA-41 = 41" W
- 7146ADA-35 = 35" W
- 7146ADA-47 = 47" W

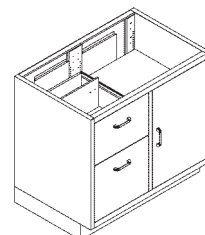
Model 7131ADA



Unit includes two 7-1/4" full-drawers above one 3-5/8" full width drawer and two 7-1/4" full width drawers.

- 7131ADA-29 = 29" W
- 7131ADA-41 = 41" W
- 7131ADA-35 = 35" W
- 7131ADA-47 = 47" W

Model 7167ADA



Unit includes one 10-7/8" file drawer above a 14-1/2" file drawer, full height cupboard, one half width adjustable shelf.

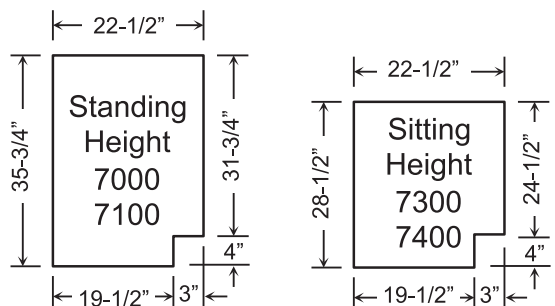
- 7167ADA-29 = 29" W
- 7167ADA-41 = 41" W
- 7167ADA-35 = 35" W
- 7167ADA-47 = 47" W

Sink Base Cabinets

7000, 7100, 7300, 7400 Series

Dimensions:

End Views

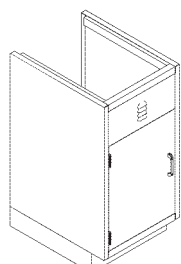


Product Features:

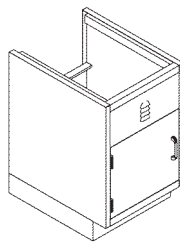
- * Louvered front panels.
- * Low back for easy plumbing access (18" A.F.F.)
- * ADA Height Units are also available, 32-1/8"H

Ordering Information:

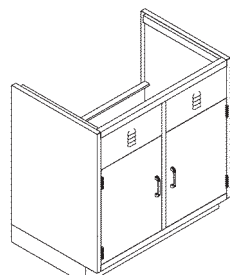
- * Specify swing for cupboard doors on *single* units by substituting '-' with 'R' or 'L' after series number (Unit shown with *left* swing door. Ex. 7003R18 for right swing cupboard unit, 18"W).
- * Specify sink hangers if required.
- * Specify locks if required.



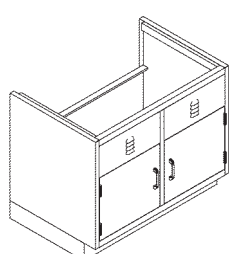
Model 7003
 Standing height single sink base unit includes a louvered panel above the cupboard.
 7003-18 = 18" Wide
 7003-24 = 24" Wide



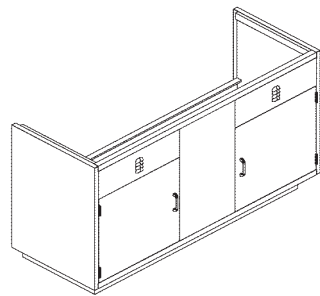
Model 7303
 Sitting height single sink base unit includes a louvered panel above the cupboard.
 7303-18 = 18" Wide
 7303-24 = 24" Wide



Model 7103
 Standing height double sink base unit includes louvered panels above the cupboards.
 7103-29 = 29" Wide
 7103-35 = 35" Wide
 7103-41 = 41" Wide
 7103-47 = 47" Wide



Model 7403
 Sitting height double sink base unit includes louvered panels above the cupboards.
 7403-29 = 29" Wide
 7403-35 = 35" Wide
 7403-41 = 41" Wide
 7403-47 = 47" Wide



End Unit Models 7103, 7403
 End sink base unit includes louvered panels above the spaced cupboard doors, and a 3-sided toe space base for end-of-island or peninsula applications.

<u>Standing Height</u>	<u>Sitting Height</u>
7103-52 = 52" Wide	7403-52 = 52" Wide
7103-58 = 58" Wide	7403-58 = 58" Wide

Corner Base Cabinets

7100, 7400 Series

Product Features:

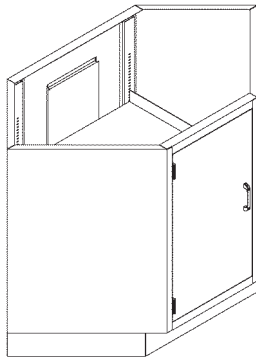
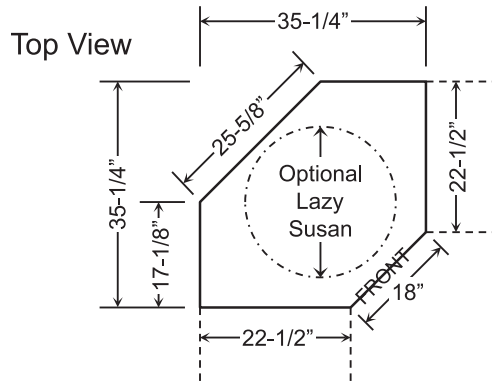
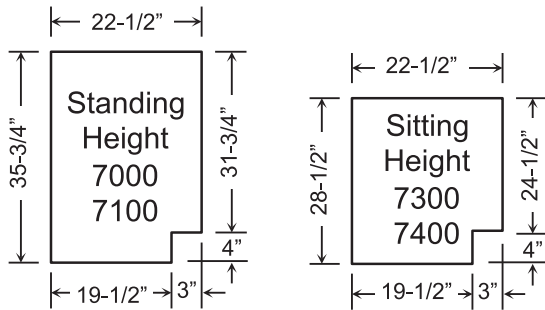
- * Louvered front panel units 7173 and 7473.
- * Removable rear access panels.
- * Space for optional Lazy Susan shelves (24" diameter maximum) in 7171 and 7471 (see pg. 35).

Ordering Information:

- * Cupboard doors will be furnished *left-hinged* unless otherwise specified by substituting 'L' with 'R' after series number (Units shown with left swing doors). Ex. 7171**R**18 for right swing.
- * Specify sink hangers if required (for undermount sinks).
- * Specify locks if required.

Dimensions:

End Views



Models 7171/7471

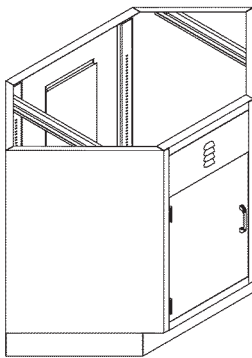
Corner unit includes a full height cupboard and one adjustable shelf.

Standing Height 35-3/4"

7171-18

Sitting Height 28-1/2"

7471-18



Models 7173/7473

Corner sink base unit includes a louvered panel above the cupboard. (Shown with optional sink hangers)

Standing Height 35-3/4"

7173-18

Sitting Height 28-1/2"

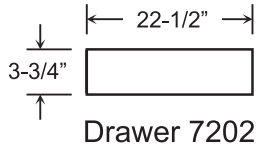
7473-18

Knee Space Drawers

7200 Series – Table/Knee Space Components

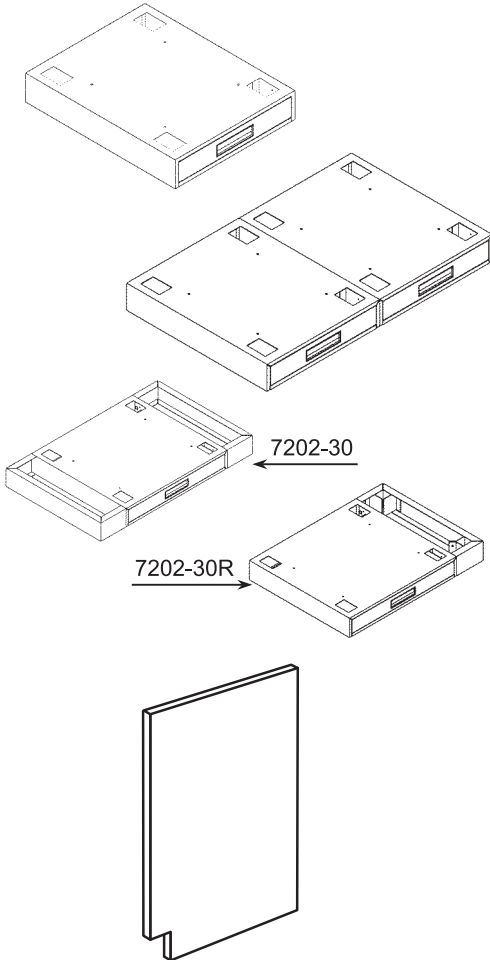
Dimensions:

End View



Ordering Information:

- * Specify locks if required.
- * Specify width of each drawer End in inches (Example: 7200-18 with 4" Left End and 8" Right End).
- * If adding Legs, the minimum drawer END size allowed is 4".



Model 7202 Knee Space Drawers

Drawers have a fully enclosed shell with top cutouts for mounting [to countertops], zinc-plated flush pull handles, and full extension slides.

Single knee space drawer:

7202-18 = 18" Wide

7202-24 = 24" Wide

Double knee space drawer:

7202-36 = 36" Wide

7202-48 = 48" Wide

*Add drawer **ENDS** (attached to either or both sides of drawer housing) to accommodate Legs or fill additional space between cabinets. Available in any width up to 24"; specify width for *each* end (Ex.: 4" Left; 6" Right).

7202-30 = 24" Wide Single Drawer with (2) 3" Ends

7202-30R = 24" Wide Single Drawer with 6" Right End

End Panels

As an option to H-Legs, End Panels are ideal for end-of-run applications, and especially where undercounter appliances are used. A built-in toe space gives the appearance of a finished cabinet side for a uniform appearance. Panels are 1" wide and available in two heights and two depths.

Standing Height 35-3/4" Sitting Height 28-1/2"

L-22 = 22-1/2" Deep

LL-22 = 22-1/2" Deep

L-29 = 29" Deep

LL-29 = 29" Deep

Knee Space Panels

Expandable Knee Space Panels close pipe chase at rear of knee space areas. Panels come in four heights and two expansions: 22" to 36" wide; or 36" to 53" wide (Custom lengths or fixed panels are available upon request).

Standing Height

Sitting Height

Full Height: UN1000-01 (22"-36")

UN1000-05 (22"-36")

UN1000-02 (36"-53")

UN1000-06 (36"-53")

Under 7200: UN1000-03 (22"-36")

UN1000-07 (22"-36")

UN1000-04 (36"-53")

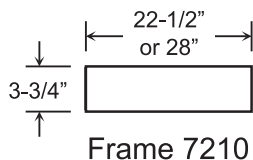
UN1000-08 (36"-53")

Table Frames/Aprons/Legs

7200 Series – Table/Knee Space Components

Dimensions:

End View



Product Features:

- * Legs manufactured of 2" square steel tubing and include leveling feet.

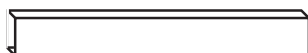
Ordering Information:

- * Specify frame and apron widths in inches.
- * Optional Leg Boots (Model CMB-1) are available in black vinyl only.

Model 7210 Aprons

Aprons span the space between cabinets where full table frames are not necessary. Aprons are available in any width up to 66".

7210-** = Specify Width (Ex.: **7210-45** = 45" Wide)



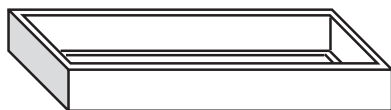
Model 7210 Table Frames

Table Frames span the space between cabinets for stability and additional countertop support. Corner pockets are added at factory for Legs when required. Frames are available in any width up to 66".

7210-**(width) x 22 = 22-1/2" Deep

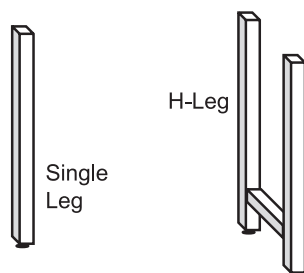
7210-**(width) x 28 = 28" Deep

(Ex.: **7210-35x22** = 35" Wide x 22-1/2" Deep)



Model 7228, 7236 Table Legs

H-legs and single legs can be used with table frames and knee space drawers (with ends). All Legs are available in two heights, and H-Legs are available in two depths.



Sitting Height 28-1/2"

Standing Height 35-3/4"

7228S = Single Leg

7236S = Single Leg

7228-22 = H-Leg 22-1/2"D

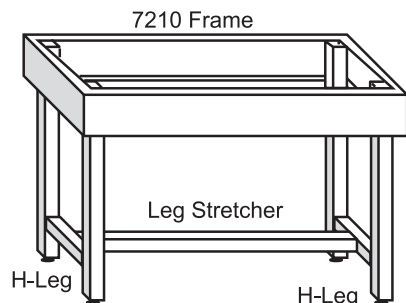
7236-22 = H-leg 22-1/2"D

7228-28 = H-Leg 28"D

7236-28 = H-Leg 28"D

*Use Leg Stretchers for added stability between H-Legs at independent tables.

Model LS-** (indicate length)



Fully assembled, your table will look like this. (Shown without countertop – see pg 41 for counter material options.)

Table Frames

Adjustable Height Tables - Sovella®

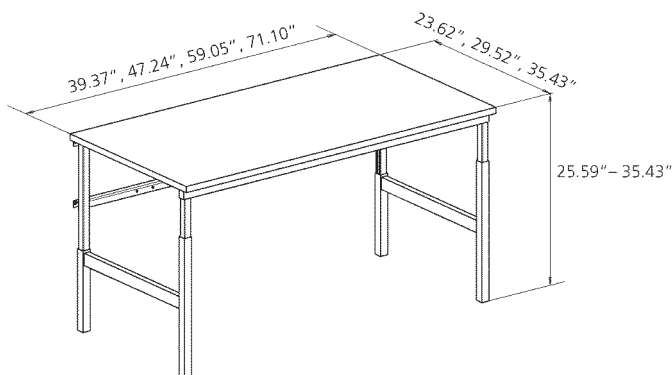
Product Features:

- * BASIC Lab Bench Frames are constructed of tubular steel. Tables are available with a wide variety of options and accessories. Any Table can be made mobile by adding casters.
- * Manual adjustment only.

Ordering Information:

- * Finish is standard ESD GRAY.
- * Contact factory for options and accessories.
- * Countertops are not included (see page 43).

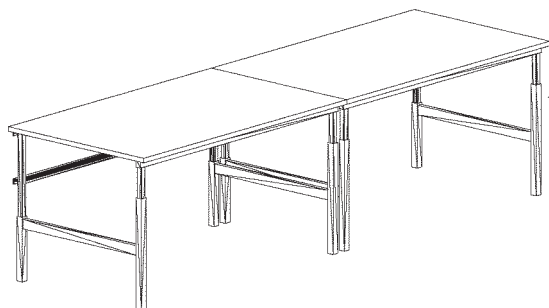
BASIC TABLE



BASIC Adjustable Height Worktable Frames

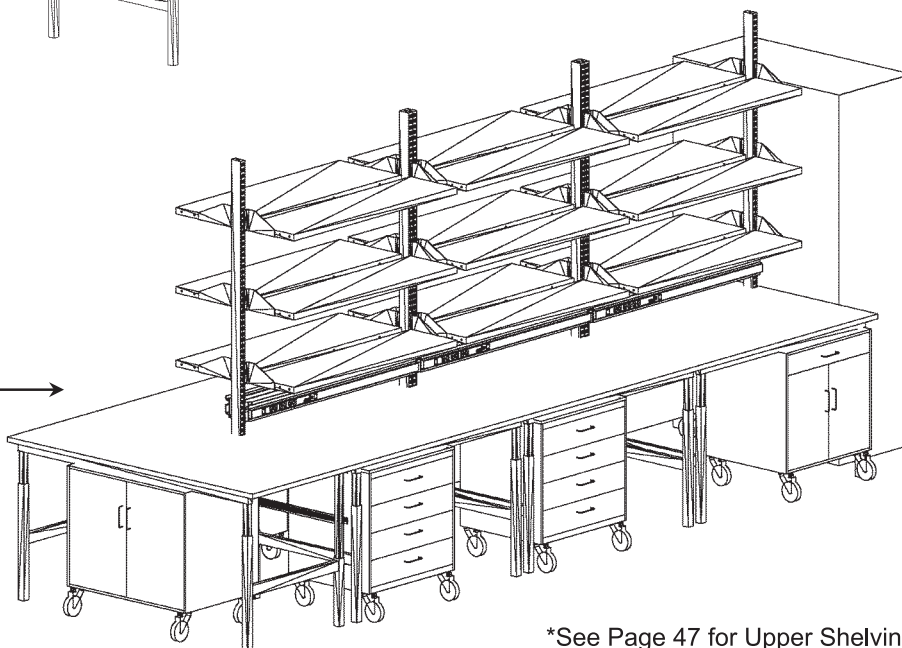
Worktable frame size W x D inches	Worktable frame model	max load lbs
47.24 x 29.52	120 35 021	660
59.05 x 29.52	120 35 022	660
59.05 x 35.43	120 35 037	660
70.86 x 29.52	120 35 023	660
70.86 x 35.43	120 35 038	660
Height adjustment	25.59 to 35.43 inches	

SAMPLE CONFIGURATIONS:



Side-by-side Tables

Island Bench assembly with Basic Tables, countertop mounted upright shelving with brackets, power rails and 7300 series mobile cabinets



*See Page 47 for Upper Shelving

Table Frames

Adjustable Height Tables - Sovella®

Product Features:

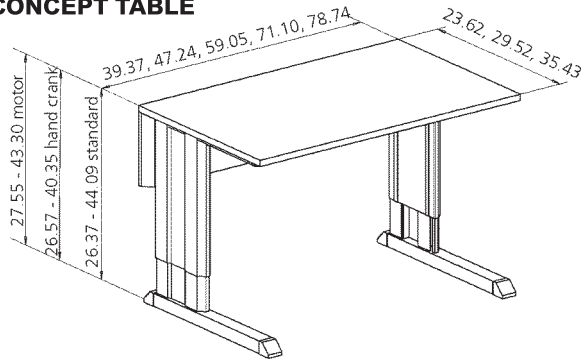
- * CONCEPT Lab Bench Frames are ergonomically designed and available with a wide variety of options and accessories. Any Table can be made mobile by adding casters.
- * CONCEPT Tables are also available with a hand crank or motor adjustment.

- * Our 7300/7400 Line cabinets can be suspended from CONCEPT frames 29.53”D with manual adjustment only.

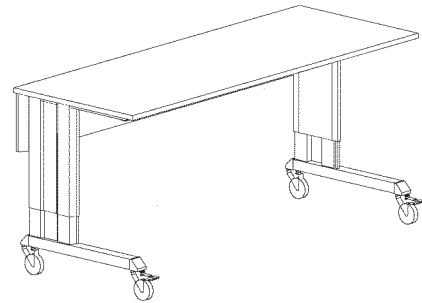
Ordering Information:

- * Finish is standard ESD GRAY.
- * Contact factory for options and accessories.
- * Countertops are not included (see page 43).

CONCEPT TABLE

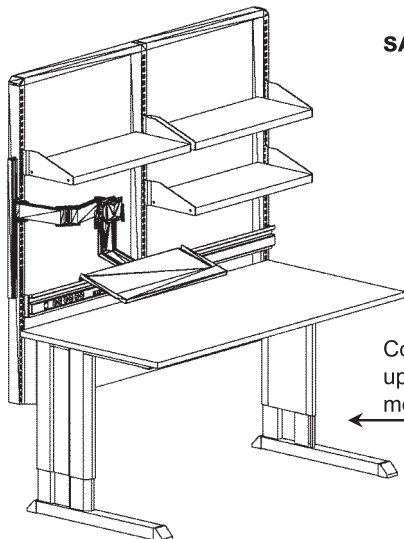


CONCEPT Table with Optional casters



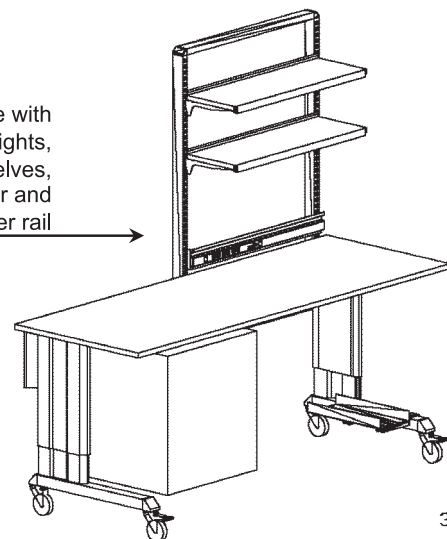
CONCEPT Adjustable Height Worktable Frames

Worktable frame size W x D inches	Standard table frame model	max load lbs	Handcrank height adjustment model	max load lbs	Motor height adjustment model	max load lbs
39.37 x 23.62	100 35 015	440	101 35 015	440	103 35 115	660
39.37 x 29.52	100 35 030	1100	101 35 030	440	103 35 130	660
47.24 x 23.62	100 35 016	440	101 35 016	440	103 35 116	660
47.24 x 29.52	100 35 031	1100	101 35 031	440	103 35 131	660
59.05 x 23.62	100 35 017	440	101 35 017	440	103 35 117	660
59.05 x 29.52	100 35 032	1100	101 35 032	440	103 35 132	660
70.86 x 23.62	100 35 018	440	101 35 018	440	103 35 118	660
70.86 x 29.52	100 35 033	1100	101 35 033	440	103 35 133	660
78.74 x 23.62	100 35 019	440	n/a		103 35 119	660
78.74 x 29.52	100 35 034	1100	n/a		103 35 134	660
Height adjustment	26.37--44.09 inches		26.57--40.35 inches		27.55-- 43.30 inches	



SAMPLE CONFIGURATIONS:

Mobile Concept Table with countertop, casters uprights, suspended cabinet, shelves, brackets, lower CPU holder and power rail



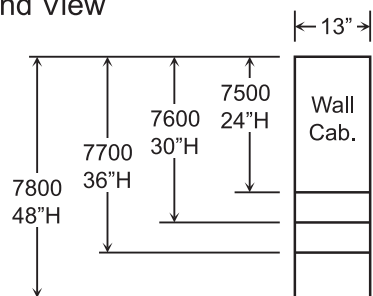
Concept Table with countertop, uprights, shelves, brackets, monitor arm, power rail

Wall Cabinets

7500, 7600, 7700, 7800 Series

Dimensions:

End View



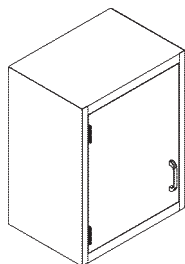
Product Features:

- * 7500 Units have one shelf; 7600 and 7700 Units have two shelves; 7800 Units have three shelves.
- * Shelves are adjustable in 1/2" increments.
- * Glass is 1/4" thick.

Ordering Information:

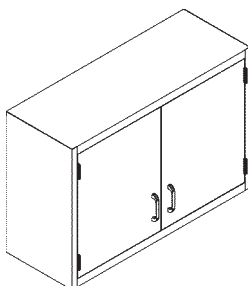
- * Specify swing for doors on *single* units by substituting 'L' with 'R' or 'L' after series number (Units are shown with left swing doors). Ex. 7501**R**24 for right swing door.
- * For finished backs, add suffix 'FB' to model number.
- * Specify locks if required.

18" wide | 24" wide | 29" wide | 35" wide | 41" wide | 47" wide



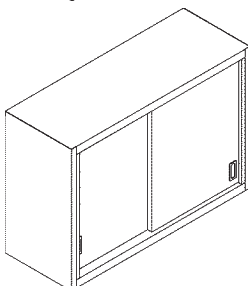
Model 7*01 Hinged Solid Door Unit

24"H	7501-18	7501-24	-----	-----	-----	-----
30"H	7601-18	7601-24	-----	-----	-----	-----
36"H	7701-18	7701-24	-----	-----	-----	-----
48"H	7801-18	7801-24	-----	-----	-----	-----



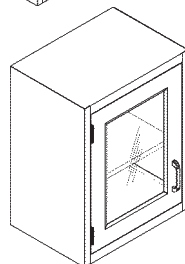
Model 7*02 Hinged Solid 2-Door Unit

24"H	-----	-----	7502-29	7502-35	7502-41	7502-47
30"H	-----	-----	7602-29	7602-35	7602-41	7602-47
36"H	-----	-----	7702-29	7702-35	7702-41	7702-47
48"H	-----	-----	7802-29	7802-35	7802-41	7802-47



Model 7*03 Sliding Solid 2-Door Unit

24"H	-----	-----	7503-29	7503-35	7503-41	7503-47
30"H	-----	-----	7603-29	7603-35	7603-41	7603-47
36"H	-----	-----	7703-29	7703-35	7703-41	7703-47
48"H	-----	-----	7803-29	7803-35	7803-41	7803-47



Model 7*04 Hinged Framed Glass Door Unit

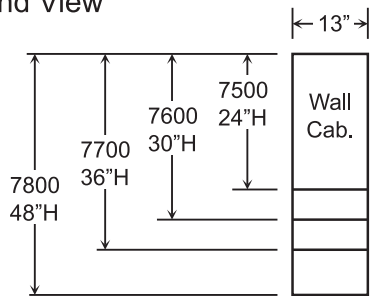
24"H	7504-18	7504-24	-----	-----	-----	-----
30"H	7604-18	7604-24	-----	-----	-----	-----
36"H	7704-18	7704-24	-----	-----	-----	-----
48"H	7804-18	7804-24	-----	-----	-----	-----

Wall Cabinets

7500, 7600, 7700, 7800 Series

Dimensions:

End View

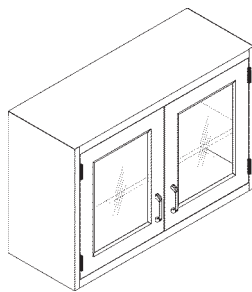


Product Features:

- * 7500 Units have one shelf; 7600 and 7700 Units have two shelves; 7800 Units have three shelves.
- * Shelves are adjustable in 1/2" increments.
- * Glass is 1/4" thick.

Ordering Information:

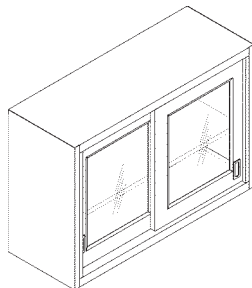
- * For finished backs, add suffix 'FB' to model number.
- * Specify locks if required.



18" wide | 24" wide | 29" wide | 35" wide | 41" wide | 47" wide

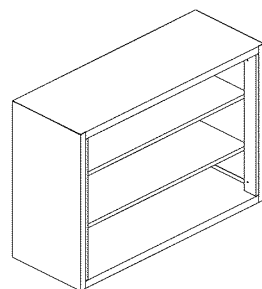
Model 7*05 Hinged Framed Glass 2-Door Unit

	18" wide	24" wide	29" wide	35" wide	41" wide	47" wide
24"H	----	----	7505-29	7505-35	7505-41	7505-47
30"H	----	----	7605-29	7605-35	7605-41	7605-47
36"H	----	----	7705-29	7705-35	7705-41	7705-47
48"H	----	----	7805-29	7805-29	7805-41	7805-47



Model 7*06 Sliding Framed Glass 2-Door Unit

	18" wide	24" wide	29" wide	35" wide	41" wide	47" wide
24"H	----	----	7506-29	7506-35	7506-41	7506-47
30"H	----	----	7606-29	7606-35	7606-41	7606-47
36"H	----	----	7706-29	7706-35	7706-41	7706-47
48"H	----	----	7806-29	7806-35	7806-41	7806-47



Model 7*08 Open Unit

	18" wide	24" wide	29" wide	35" wide	41" wide	47" wide
24"H	7508-18	7508-24	7508-29	7508-35	7508-41	7508-47
30"H	7608-18	7608-24	7608-29	7608-35	7608-41	7608-47
36"H	7708-18	7708-24	7708-29	7708-35	7708-41	7708-47
48"H	7808-18	7808-24	7808-29	7808-35	7808-41	7808-47

Corner Wall Cabinets

7500, 7600, 7700, 7800 Series

Product Features:

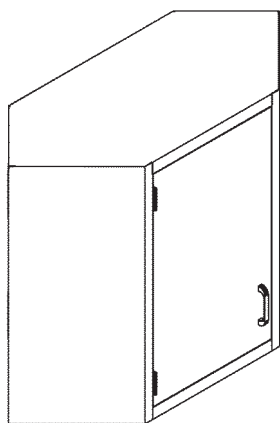
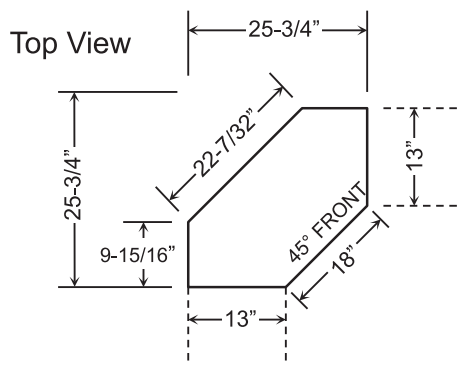
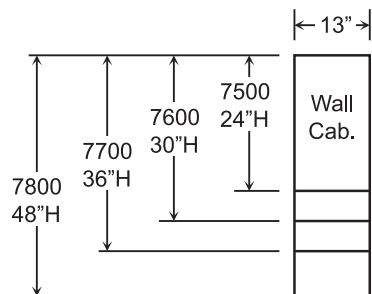
- * 7500 (24"H) Units have one shelf; 7600 (30"H) and 7700 (36"H) units have two shelves; 7800 (48"H) units have three shelves.
- * Shelves are adjustable in 1/2" increments.
- * Glass is 1/4" thick.

Ordering Information:

- * Specify swing for doors by adding 'R' or 'L' after series number (Units shown with *left* swing doors). Ex. 7501RC for right swing corner unit.
- * Specify locks if required.

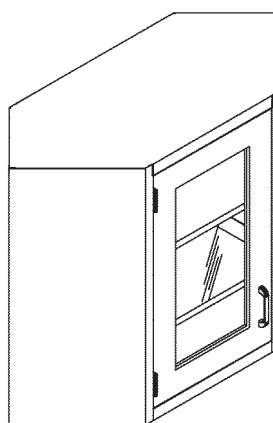
Dimensions:

End View



Model 7*01C
Hinged Solid
Door Unit

24"H	7501C
30"H	7601C
36"H	7701C
48"H	7801C



Model 7*04C
Hinged Framed
Glass Door Unit

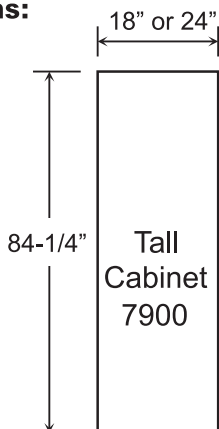
24"H	7504C
30"H	7604C
36"H	7704C
48"H	7804C

Freestanding Tall Cabinets

7900, 7910 Series

Dimensions:

End View

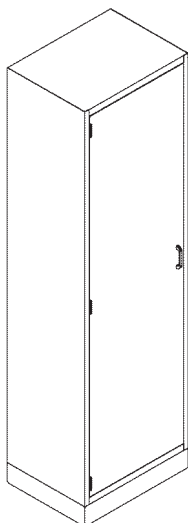


Product Features:

- * Freestanders are available 18" or 24" deep.
- * All units include five adjustable shelves.
- * Shelves are adjustable in 1/2" increments.

Ordering Information:

- * Specify swing for doors on *single* units by substituting '-' with 'R' or 'L' after series number (Units are shown with *left* swing doors).
Ex. 7901R18 for right swing door unit, 18" wide).
- * Specify locks if required.



Model 7901

18"D Freestander includes five adjustable shelves behind hinged door.

7901-18 = 18" Wide

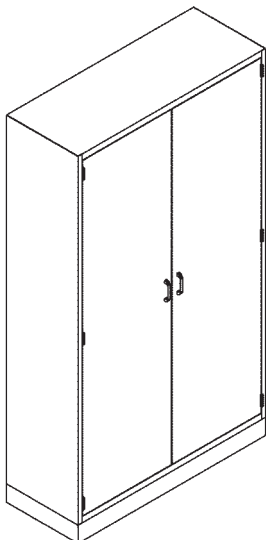
7901-24 = 24" Wide

Model 7911

24"D Freestander includes five adjustable shelves behind hinged door.

7911-18 = 18" Wide

7911-24 = 24" Wide



Model 7902

18"D Freestander includes five adjustable shelves behind hinged double doors.

7902-29 = 29" Wide

7902-41 = 41" Wide

7902-35 = 35" Wide

7902-47 = 47" Wide

Model 7912

24"D Freestander includes five adjustable shelves behind hinged double doors.

7912-29 = 29" Wide

7912-41 = 41" Wide

7912-35 = 35" Wide

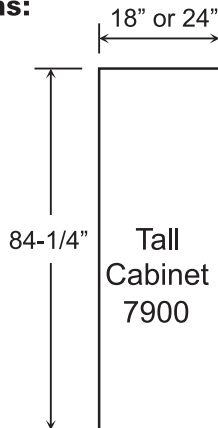
7912-47 = 47" Wide

Freestanding Tall Cabinets

7900, 7910 Series

Dimensions:

End View

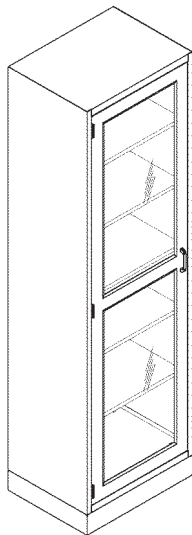


Product Features:

- * Freestanders are available 18" or 24" deep.
- * All units include five adjustable shelves.
- * Shelves are adjustable in 1/2" increments.
- * Glass is 1/4" thick.

Ordering Information:

- * Specify swing for doors on *single* units by substituting '-' with 'R' or 'L' after series number (Units are shown with *left* swing doors).
Ex. 7904R18 for right swing door unit, 18" wide.
- * Specify locks if required.



Model 7904

18"D Freestander includes five adjustable shelves behind hinged framed glass door.

7904-18 = 18" Wide

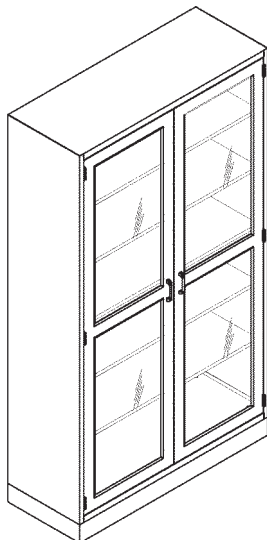
7904-24 = 24" Wide

Model 7914

24"D Freestander includes five adjustable shelves behind hinged framed glass door.

7914-18 = 18" Wide

7914-24 = 24" Wide



Model 7905

18"D Freestander includes five adjustable shelves behind hinged framed glass double doors.

7905-29 = 29" Wide

7905-41 = 41" Wide

7905-35 = 35" Wide

7905-47 = 47" Wide

Model 7915

24"D Freestander includes five adjustable shelves behind hinged framed glass double doors.

7915-29 = 29" Wide

7915-41 = 41" Wide

7915-35 = 35" Wide

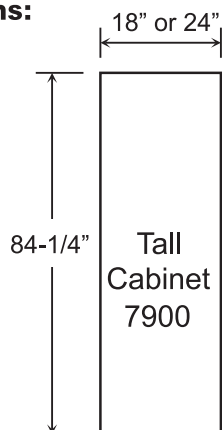
7915-47 = 47" Wide

Freestanding Tall Cabinets

7900, 7910 Series

Dimensions:

End View

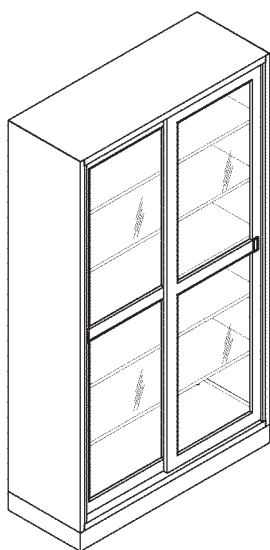


Product Features:

- * Freestanders are available 18" or 24" deep.
- * All units include five adjustable shelves.
- * Shelves are adjustable in 1/2" increments.
- * Glass is 1/4" thick.

Ordering Information:

- * Specify lock if required.



Model 7906

18"D Freestander include five adjustable shelves behind sliding framed glass doors.

7906-29 = 29" Wide

7906-41 = 41" Wide

7906-35 = 35" Wide

7906-47 = 47" Wide

Model 7916

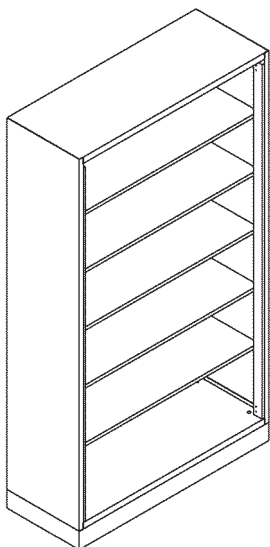
24"D Freestander includes five adjustable shelves behind sliding framed glass doors.

7916-29 = 29" Wide

7916-41 = 41" Wide

7916-35 = 35" Wide

7916-47 = 47" Wide



Model 7908

18"D Open freestander includes five adjustable shelves.

7908-18 = 18" Wide

7908-35 = 35" Wide

7908-24 = 24" Wide

7908-41 = 41" Wide

7908-29 = 29" Wide

7908-47 = 47" Wide

Model 7918

24"D Open freestander includes five adjustable shelves..

7918-18 = 18" Wide

7918-35 = 35" Wide

7918-24 = 24" Wide

7918-41 = 41" Wide

7918-29 = 29" Wide

7918-47 = 47" Wide

Specialty Cabinets

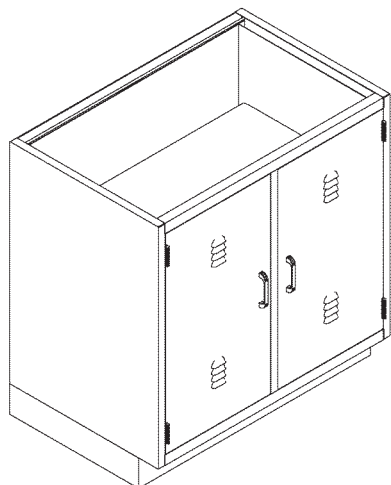
Acid Storage, Narcotic Storage

Product Features:

- * Cabinets feature the same construction as standard cabinets with additional features as specified.
- * Shelves are adjustable in 1/2" increments.

Ordering Information:

- * For finished backs, add suffix 'FB' to model number.
- * ADA height unit also available, 32-1/8"H



Model 7000

Acid/Corrosive Resistant Vented Safety Cabinet **Model 7000**

The 7000 cabinet safely stores acids and solvents within a welded steel unit lined with Wesliner material for maximum corrosion resistance in the event of spills or accidents. Each of the two hinged doors is vented top and bottom to prevent any build up of noxious fumes.

The Wesliner lining used is a monolithic, natural white non-asbestos fiber/cement panel with a smooth surface on both sides. It is a strong and rugged material designed to offer maximum resistance to heat, chemicals, impact, and moisture.

Unit is standard 35-3/4"H x 22-1/2"D and includes one full width white Phenolic resin adjustable shelf. Standard "ACID" label is also included (red letters on silver).

7000-29 = 29" Wide

7000-35 = 35" Wide

7000-41 = 41" Wide

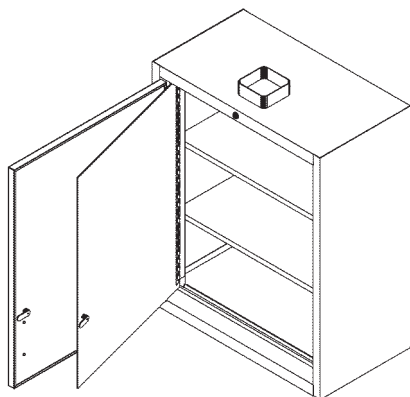
7000-47 = 47" Wide

Narcotic Locker Cabinet

Model 7601-24NC

Model 7601-24NC narcotic locker features vermin-free double wall construction, two adjustable shelves, dual locking double door assembly, and lighted alarm for maximum security of floor stock class narcotic medications. Unit can be wall or counter mounted.

The dual locking double door assembly consists of an 18 gauge double pan welded door and a full height 1/8" plate inside door suspended on a piano hinge welded to the cabinet to eliminate removal of the hinge pins. Both doors are designed with interchangeable removable core locks* and are complimented with electronic circuitry. A warning light will automatically be activated if the inside door is left unlocked (the light can be remotely wired to a Director's office to alert entry to the locker). An optional audible alarm is available upon request.



Model 7601-24NC

Model **7601-24NC** = 24"W x 30"H x 13"D (standard)

*Core locks have 50 core locking combinations. Master keying is available.

Wall Cabinet/Freestander Accessories

Sloping Tops

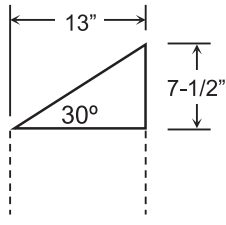
Product Features:

- * Sloping Tops include end caps on both sides.
- * Soffit panels available upon request.

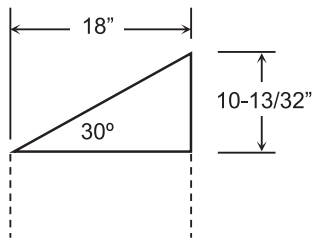
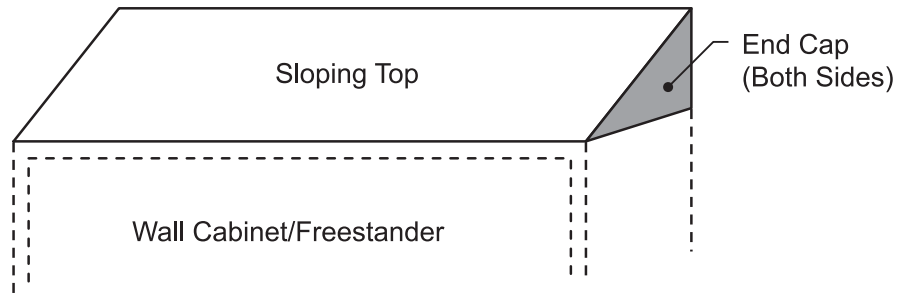
Ordering Information:

- * Specify special length sloping tops in inches (Ex. 7613-44 for 44" top length).

End Views:

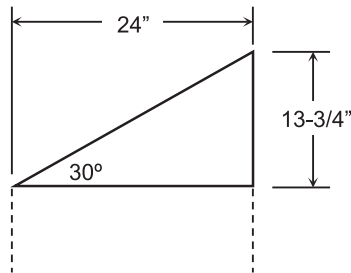


Model 7613



Model 7618

Depth	18" wide	24" wide	29" wide	35" wide	41" wide	47" wide
↓						
13"	7613-18	7613-24	7613-29	7613-35	7613-41	7613-47
18"	7618-18	7618-24	7618-29	7618-35	7618-41	7618-47
24"	7624-18	7624-24	7624-29	7624-35	7624-41	7624-47

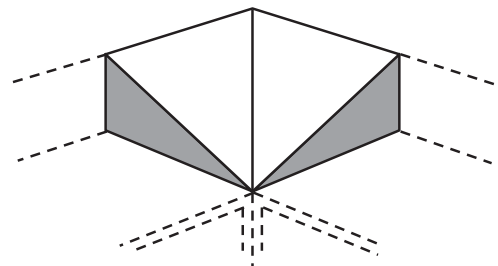


Model 7624

Corner Sloping Tops →

Corner tops used where wall cabinets meet at a 90° corner.

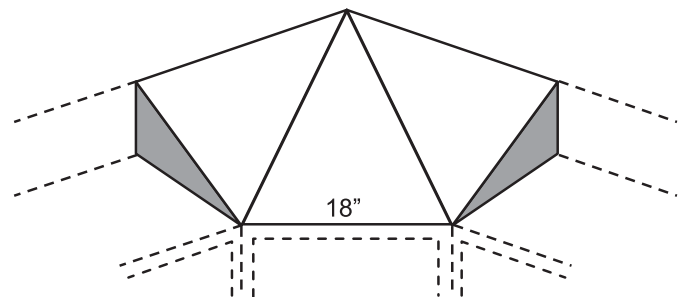
Depth	Model
↓	
13"	7613C
18"	7618C
24"	7624C



Corner Cabinet Sloping Top →

Corner top for use with corner wall cabinet series 7500C, 7600C, 7700C, or 7800C only.

Model 7613CC = 13" Deep x 18" Front



Cabinet Accessories

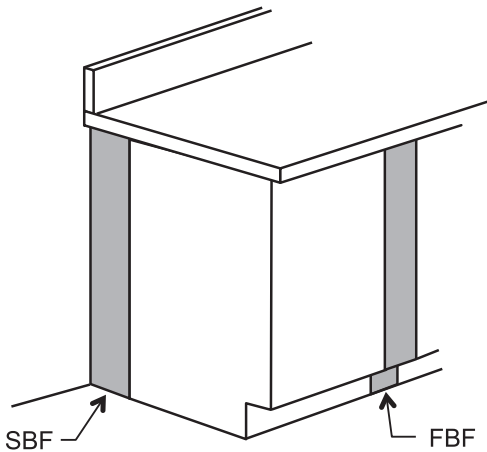
Fillers

Product Features:

- * Finish is the same as cabinets.
- * Concealed clips hold fillers in place.

Ordering Information:

- * Specify filler height and width in inches
(Ex. FBF36-6½ = Front Base Filler 35-3/4”H x 6-1/2” Wide).



Model FBF

Front Base Filler with toe space is used between adjacent base cabinets, or cabinets adjacent to a wall or end sink cabinet.

FBF36 = Standing Height 35-3/4”H

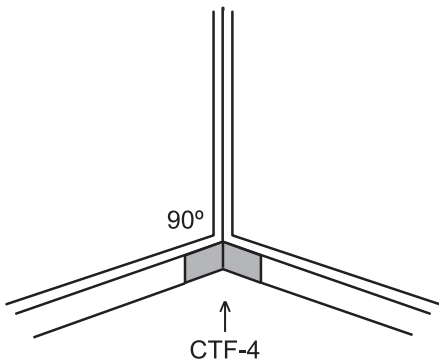
FBF28 = Sitting Height 28-1/2”H

Model SBF

Side [End] Base Filler is used to close the chase between the base cabinet and the wall, or back-to-back cabinets at islands/peninsulas.

SBF36 = Standing Height 35-3/4”H

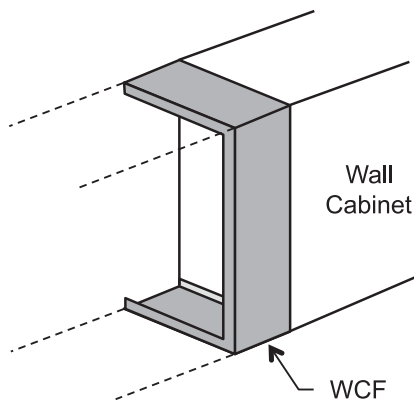
SBF28 = Sitting Height 28-1/2”H



Model CTF-4

Corner Toe Filler is used to close the toe space opening where base cabinets meet at a 90° corner.

CTF-4 = 4” High



Model WCF

Wall Cabinet Filler is used between adjacent wall cabinets, or cabinets adjacent to a wall. Fillers are standard 13” Deep.

WCF24 = 24” High (for 7500 Series cabinets)

WCF30 = 30” High (for 7600 Series cabinets)

WCF36 = 36” High (for 7700 Series cabinets)

WCF48 = 48” High (for 7800 Series cabinets)

Cabinet Accessories

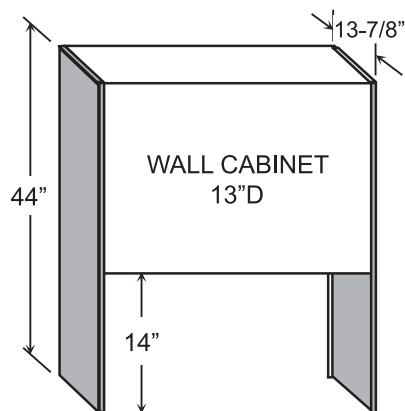
Risers, Cabinet Shelves, and Lazy Susans

Product Features:

- * Riser Panels are sold in pairs.
- * Cabinet shelves over 36" have reinforcing channels spot-welded to underside.

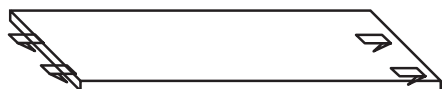
Ordering Information:

- * All 199 shelves are finished in *Champagne*, unless otherwise specified when ordering.
- * Lazy Susan shelf colors are as noted.



Model 260

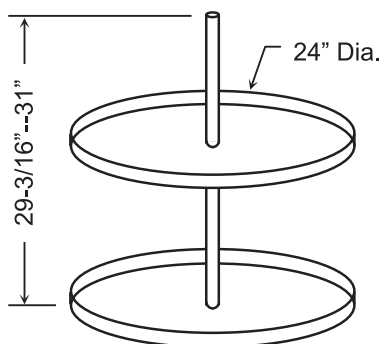
Riser panels are sold as a pair, and attach to either side of a wall unit. 44" High x 13-7/8" Deep (overall). Designed for use with 13" Deep wall units only.



Model 199 - Cabinet Shelves

Adjustable shelves include four mounting clips each. Specify model number of unit to receive shelf after the shelf model number (Ex. **199-54 x 7002-18** = Base unit shelf for 18" Wide 7002 model).

- Model 199-54 = Base Unit Shelf
- Model 199-55 = Wall Unit Shelf
- Model 199-79 = Freestander Shelf



Lazy Susan

Each Lazy Susan set includes two 24" Plastic Polymer "Dependently-Rotating Shelves" (both shelves move at the same time) and telescoping chrome-plated steel center post.

*For use with Corner Base Unit Models 7171/7471 only.

- Model REV-6012-24-**A** = Lazy Susan in **Almond**
- Model REV-6012-24-**W** = Lazy Susan in **White**

Laboratory Accessories

Countertops

Product Features:

- * Laminate, Epoxy and Phenolic Resin countertops are supplied with applied [loose] curbs unless otherwise requested.
- * Stainless steel curbs are integral.

Ordering Information:

- * Specify color.
- * Specify bowl dimensions for integral sinks in stainless steel countertops.
- * Consult factory for availability of different edge and curb styles.

COUNTERTOPS

CT-1 PLASTIC LAMINATE countertops are constructed of 1/16" decorative high pressure laminate sheet on 44 - 45lb density particle board core for an overall thickness of 1-1/4". Counters are self-edged with a backer sheet underneath. Curbs are 3/4" thick applied [loose] to countertop with caulk and/or screws. Optional Plywood core is available upon request. Matte Finish is standard for laminate countertops.

CT-4 LAB GRADE/CHEMICAL RESISTANT LAMINATE countertops are constructed the same as Laminate countertops but with Laboratory Grade laminate.

CT-8 PHENOLIC RESIN countertops are made from a composite consisting of multiple layers of selected papers impregnated with special phenolic resins. Countertops are manufactured under heat and pressure to form a solid black chemical and corrosion resistant composite throughout the entire thickness. Top and bottom surfaces are finished. Curbs are formed in the same material and applied with adhesive. Multiple thicknesses and colors are available, black core is standard. Contact factory for details.

**Note: Not recommended for use with direct contact with heat - use Epoxy Resin instead.*

CT-2 EPOXY RESIN countertops are monolithic and molded from a modified epoxy resin. Surfaces have a smooth, non-glare finish. Countertops are provided with a continuous drip groove 1/8" wide x 1/8" deep on the underside of all exposed edges. Edges are 90° with a 1/8" bevel. Epoxy is available 3/4", 1", or 1-1/4" thick. Curbs are formed from the same material and applied in the field with adhesive. Epoxy is available in Black with optional colors for an additional charge. Contact factory for details.

GREENSTONE™ EPOXY RESIN Environmentally friendly countertops integrate post-consumer recycled material (less than 10% by weight) into laboratory grade epoxy resin for uncompromising heat, chemical, scratch & stain resistance. As a low VOC material, Greenstone can help "green" building projects for the environment and contribute to certain LEED credits. Color options are the same as for Epoxy Resin. (*Manufactured exclusively by Durcon, Inc.)

CT-3 STAINLESS STEEL countertops are formed from 16 gage stainless steel with Type 304 No. 4 finish. Steel reinforcement channels are provided on the underside for added strength and rigidity. Edges are formed at 90°, or with an optional marine edge, for an overall thickness of 3/4", 1", or 1-1/4" as required. Backsplash curbs are formed integral with the countertop. Sink bowls are welded to the underside of the counters, and ground smooth to eliminate seams. Counters are pitched toward the bowl for proper drainage. A sound deadening material is applied to the underside of countertops and sink bowls. *Type 316 material is available upon request.



APPLIED CURB

Plam, Epoxy, Phenolic



COVED CURB

Plam, Epoxy, St. Stl.



MARINE EDGE

Epoxy, Phenolic, St. Stl.



RADIUS EDGE

Plam, Epoxy, Phenolic

Laboratory Accessories

Miscellaneous Supports

Product Features:

- * Pipe frame assemblies have pre-galvanized finish unless otherwise noted.
- * Angles are finished in Champagne.

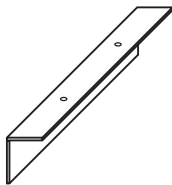
Ordering Information:

- * Specify height and width of Pipe support frames in inches (Ex. **UNI36-8** = Pipe frame 35-3/4"H x 8"W)
 - * Specify custom lengths of wall angles in inches.
-



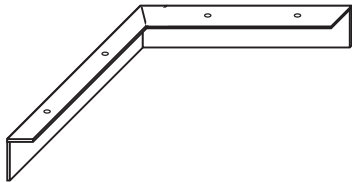
Model UNI

Pipe Frame Support Assemblies are used to support plumbing lines and worktop overhangs. Assembly includes (2) vertical channel struts with 14 gage bent "U" bracket at top and bottom. Assemblies are sized to fit the service chase behind base cabinets at wall benches, islands and peninsulas. Pipe hangers are not included (supplied by plumber).



Model WA

Wall angles provide support for countertops where legs or end panels are not needed or cannot be used. Wall angles are 2" x 2" x 18" long, 14 gauge. Special lengths are available upon request.



Model CWA

Corner wall angles are used to help support countertops behind corner base units or 90° dead space areas. Corner wall angles are 2" x 2" x 18" long, 14 gauge. Special lengths are available upon request.

Laboratory Accessories

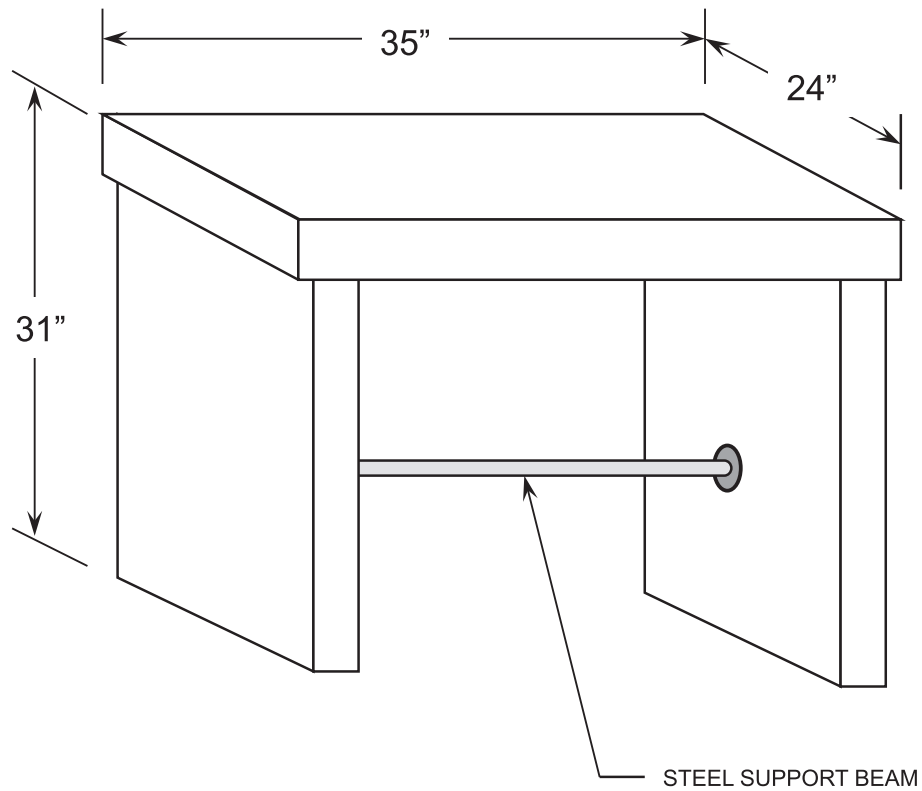
Epoxy Balance Table

Product Features:

- * Fabricated from 3" thick Epoxy Resin slabs.
- * Provides an extremely stable surface for delicate instruments.
- * Steel support beam adds strength and rigidity.

Ordering Information:

- * Specify color: Black is standard, contact factory for available colors.
- * Tables are shipped knocked down for field assembly.
- * Weight 440 lbs.



Laboratory Accessories

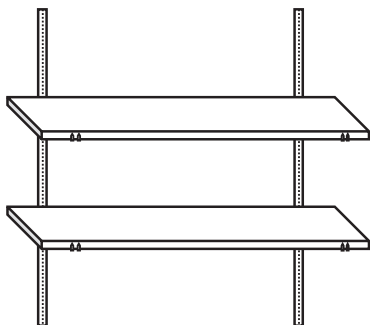
Wall Shelving

Product Features:

- * Plastic Laminate and Resin shelves are finished on all edges, top, and bottom.
- * Stainless steel shelves have bottom edge returns for safety. 18ga Type 304 with #4 finish.

Ordering Information:

- * Brackets and standards are ordered by each piece (not sold in pairs).
- * Consult factory for availability of colors, sizes, or other bracket/standard types not listed.



Model SH*

Wall shelves are available in any size required. Specify size in inches.

SH1 = Plastic Laminate

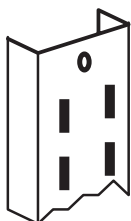
SH2 = Epoxy Resin

SH3 = Stainless Steel

SH4 = Lab Grade Plastic Laminate

SH8 = Phenolic Resin

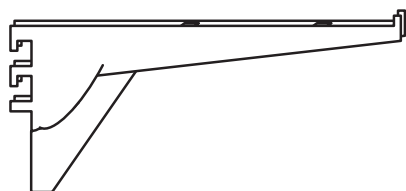
Example: Model **SH2-3612** = Epoxy shelf 36"W x 12"D



Model 85ANO

Heavy Duty Double slotted standard for use with Model 185 bracket. Standard is 1-1/4" wide x 1/2" high with 1" slot adjustment. Available lengths: 24", 36", 48", 60", 72", 84", and 96". 16 gage, Anochrome finish standard.

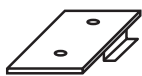
Example: Model **85ANO-36** = 36" Long Standard



Model 185ANO

Heavy duty double bracket for use with Model 85ANO standard. Anochrome finish standard. Available depths: 8", 10", 12", 14", 16", 18", 20", 22", and 24". 16 gage for brackets up to 12", 14 gage for brackets 14" to 24", Anochrome finish standard.

Example: Model **185ANO-12** = 12"D Bracket



Model 106ANO

Shelf Rest is used for joining two shelves at one bracket. Provides positive mounting of shelves to brackets. Use with 185ANO brackets only.



Model PB

Book-end style shelf brackets are cold rolled steel and painted to match cabinetry. Can be used with 85ANO standards. Ends are 6"H, depth made to match shelf. One each left and right bracket are required for each shelf.

Example: Model **PB-12** = 12"D Single Bracket

Laboratory Accessories

Island/Peninsula Upright Shelving

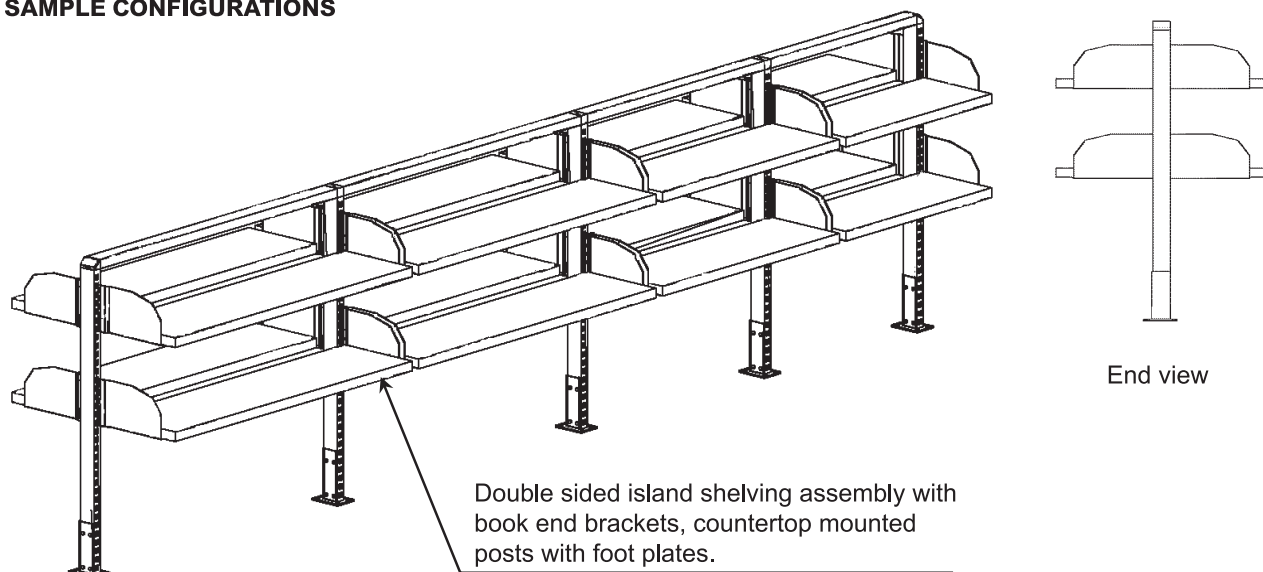
Product Features:

- * Double sided/double slotted tubular steel upright posts can be mounted to the floor or the countertop.
- * Various steel brackets are available in a variety of styles.
- * Any shelf material can be used (painted or stainless steel, epoxy, laminate, etc.)

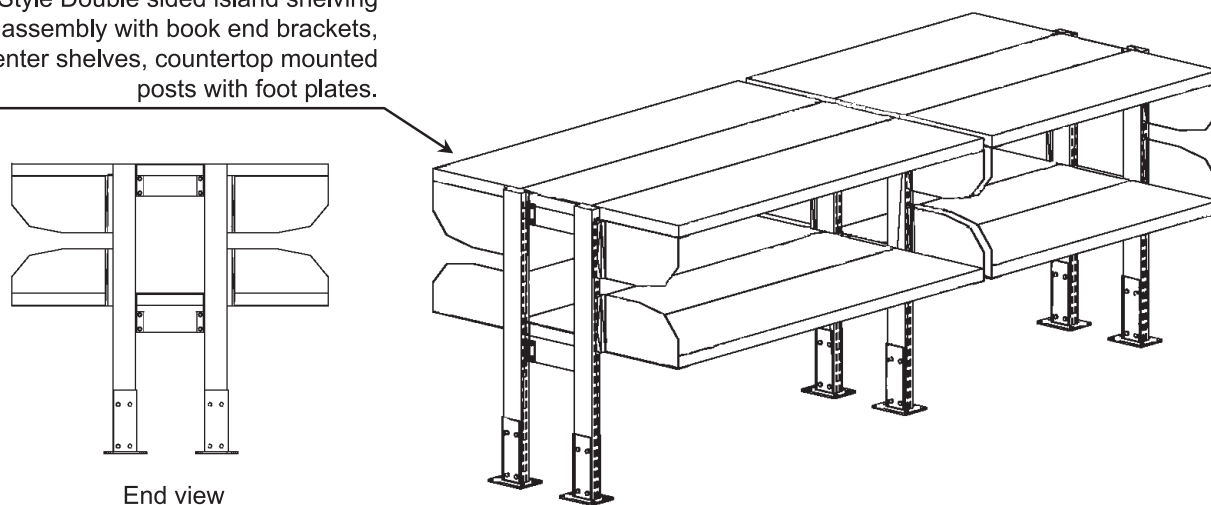
Ordering Information:

- * Consult factory for other configurations, post heights, bracket styles, etc.
- * Steel components can be painted to match the casework.

SAMPLE CONFIGURATIONS



'H'-Style Double sided island shelving assembly with book end brackets, center shelves, countertop mounted posts with foot plates.



Laboratory Accessories

Reagent Rack Assemblies, Service Chases

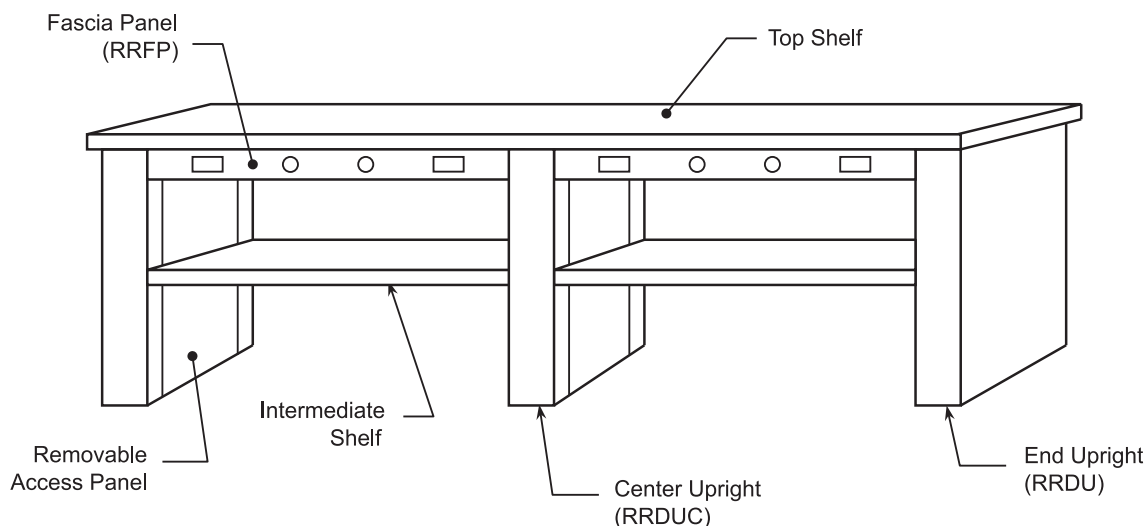
Product Features:

- * Steel uprights and service chases have a removable access panel for easy plumbing access.
- * Custom assemblies can be designed upon request to meet laboratory requirements.

Ordering Information:

- * Specify dimensions required for uprights, fascias, and service chases in inches.
- * Specify fixed or adjustable intermediate reagent shelves.
- * Specify shelf size and material.

TYPICAL CENTER BENCH or PENINSULA DOUBLE TIER REAGENT ASSEMBLY:



Rack Components

- RRU** Single tier END upright (4"D standard)
- RRUC** Single tier CENTER upright (4"D standard)
- RRDU** Double tier END upright (4"D standard)
- RRDUC** Double tier CENTER upright (4"D standard)
- RRFP** Reagent rack fascia panel mounts underneath shelf between uprights, for added strength and rigidity (3"H standard)
- RRFC** Reagent rack fixture is mounted underneath shelf for pendant-hung [under-mounted] service fixtures
- VSCE** Vertical Service Chase Enclosure (not shown) mounts above countertop and extends to or above ceiling; includes removable access panel on one side

Shelves

- CT-1RS** Plastic Laminate Reagent shelf 1-1/4" thick for top shelf; 1-1/4" or 3/4" thick for intermediate shelves
- CT-4RS** Lab Grade Plastic Laminate Shelf 1-1/4" thick for top shelf; 1-1/4" or 3/4" thick for Intermediate shelves
- CT-2RS** Epoxy resin shelf 1" thick
- CT-8RS** Phenolic resin shelf 1" thick

Laboratory Accessories

Pegboards

Product Features:

- * Stainless steel is 20 gauge Type 304 with No. 4 finish.
- * Stainless Steel drip troughs include 36”L flexible clear plastic drain tubes. Optional screen inserts are available.

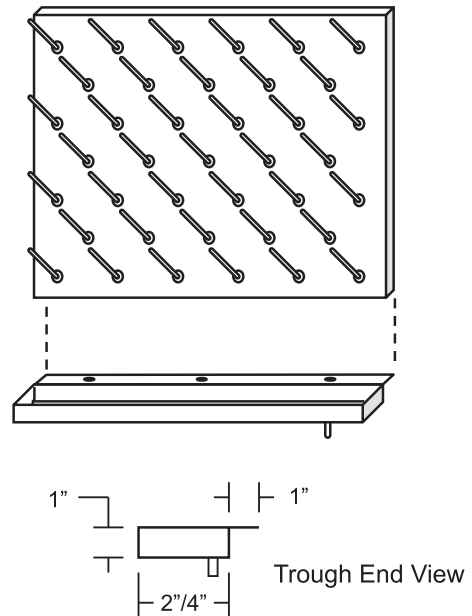
Ordering Information:

- * For Epoxy/Phenolic pegboards, specify board color and peg color/length:
- * For additional sizes and accessories, consult factory.
- * Acrylic Boards are also available

Epoxy Resin or Phenolic Resin Pegboards

Resin Pegboards are 1” thick and supplied with Black or White polypropylene pegs in 5”, 6” or 8½” lengths. Stainless steel Drip Trough mounts to bottom of pegboard (mounting hardware not included).

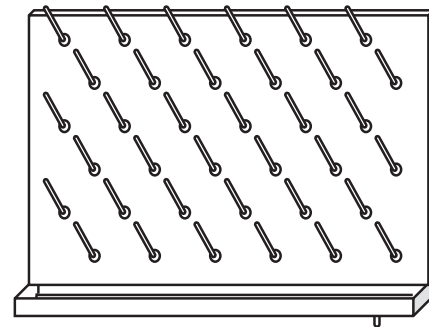
Epoxy Model	w/Finished Back	No. of Pegs	Dimensions	
			Width	Height
P1824	P1824FB	21	18”	24”
P2424	P2424FB	28	24”	24”
P2430	P2430FB	39	24”	30”
P3024	P3024FB	39	30”	24”
P3030	P3030FB	46	30”	30”
P3630	P3630FB	60	36”	30”
P4230	P4230FB	68	42”	30”
P4830	P4830FB	81	48”	30”
Drip Trough - Stainless Steel				
Length	Model 2” Deep	Model 4” Deep		
18”	HDT-18-2	HDT-18-4		
24”	HDT-24-2	HDT-24-4		
30”	HDT-30-2	HDT-30-4		
36”	HDT-36-2	HDT-36-4		
48”	HDT-48-2	HDT-48-4		



Stainless Steel Pegboards

Stainless Steel Pegboards are 3/4” thick, supplied with 6” x 1/2” diameter White polypropylene pegs and integral drip trough available in 2” or 4” depth. Wall brackets are included. For freestanding assembly, add suffix ‘FSA’ to model number.

St. Stl. Model	w/Finished Back	No. of Pegs	Dimensions	
			Width	Height
V1824	V1824FB	15	18”	24”
V2424	V2424FB	20	24”	24”
V2430	V2430FB	32	24”	30”
V3024	V3024FB	25	30”	24”
V3030	V3030FB	50	30”	30”
V3624	V3624FB	30	36”	24”
V3630	V3630FB	60	36”	30”
V4830	V4830FB	48	48”	30”



Add suffix “-2” for 2”D trough; “-4” for 4”D troughs

Laboratory Accessories

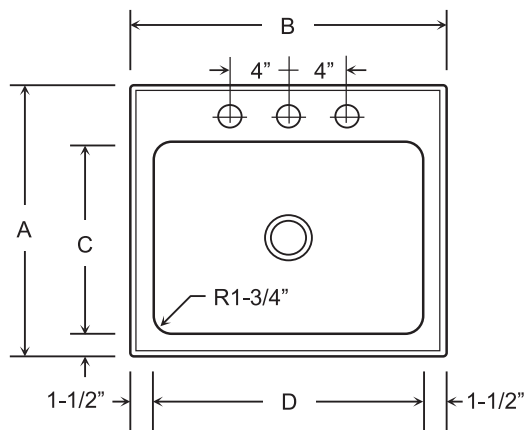
Stainless Steel Sinks

Product Features:

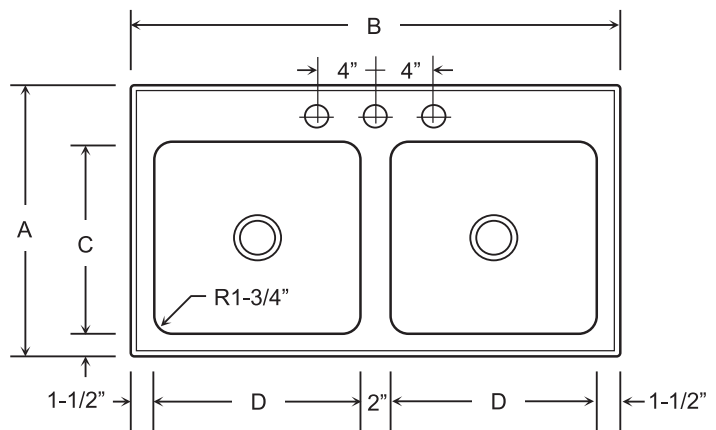
- * Seamless, die-drawn construction of 18 gauge type 304, 18-8, stainless steel.
- * Self-rimming top mount
- * Center drain location.

Ordering Information:

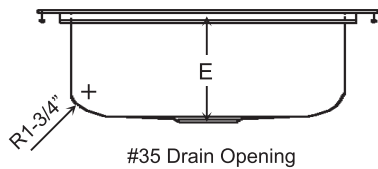
- * Specify quantity of faucet holes. (All holes are 1-1/2" Diameter.)
- * Consult factory for additional sizes, styles, ADA compliant sinks or Type 316 sinks.



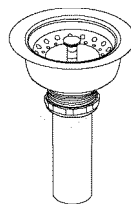
Single Bowl Sink
Model SL/SLX/SLXD



Double Bowl Sink
Model DL/DLX/DLXD



#35 Drain Opening



Model J-35

Crumb Cup Strainer includes a removable basket and 1-1/2" O.D. chrome plated tailpiece 4" long.

Model J-35STP

Same as above but with stainless steel tailpiece

SINGLE BOWL SINKS						DOUBLE BOWL SINKS					
Model	A	B	C	D	E	Model	A	B	C	D	E
SL1815AGR	18"	15"	12"	12"	7 1/2"	DL1829AGR	18"	29"	12"	12"	7 1/2"
SLX1815AGR	18"	15"	12"	12"	9"	DLX1829AGR	18"	29"	12"	12"	9"
SL1921AGR	19"	21"	14"	18"	7 1/2"	DL1933AGR*	19"	33"	14"	14"	7 1/2"
SLX1921AGR	19"	21"	14"	18"	10 1/2"	DLX1933AGR*	19"	33"	14"	14"	10 1/2"
SL2019AGR	20"	19"	14"	16"	7 1/2"	DL2037AGR	20"	37"	14"	16"	7 1/2"
SLX2019AGR	20"	19"	14"	16"	10 1/2"	DLX2233AGR	22"	33"	16"	14"	10 1/2"
SL2122AGR	21"	22"	16"	19"	7 1/2"	DL2137AGR	21"	37"	16"	16"	7 1/2"
SLX2222AGR	22"	22"	16"	19"	10 1/2"	DLX2237AGR	22"	37"	16"	16"	10 1/2"
SLXD2222AGR	22"	22"	16"	19"	12"	DLXD2237AGR	22"	37"	16"	16"	12"
SL2125AGR	21"	25"	16"	22"	8"	DL2143AGR	21"	43"	16"	19"	7 1/2"
SLX2225AGR	22"	25"	16"	22"	10 1/2"	DLX2243AGR	22"	43"	16"	19"	10 1/2"
SLXD2225AGR	22"	25"	16"	22"	12"	DLXD2243AGR	22"	43"	16"	19"	12"
SL2131AGR	21"	31"	16"	28"	7 1/2"	DL2249AGR	22"	49"	16"	22"	7 1/2"
SLX2231AGR	22"	31"	16"	28"	10 1/2"	DLX2249AGR	22"	49"	16"	22"	10 1/2"
SLXD2231AGR	22"	31"	16"	28"	12"	DLXD2249AGR	22"	49"	16"	22"	12"

*Side flanges 1-15/16". Partition 1-1/8".

Laboratory Accessories

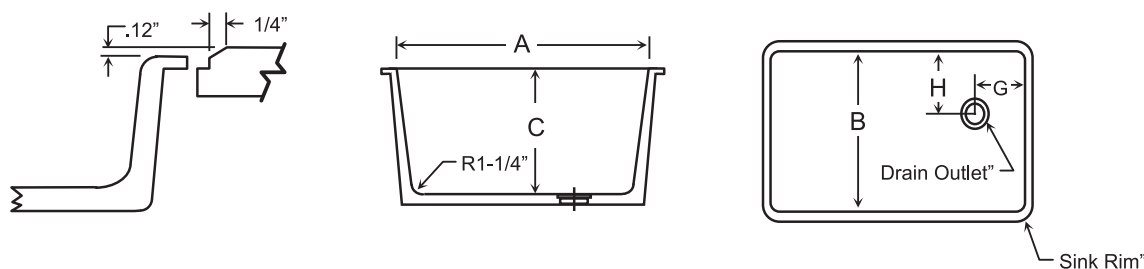
Epoxy Resin Sinks - Drop-In [Lipped]

Product Features:

- * Molded in one piece with covered corners, sides, and bottom; 1/2" thick walls.
- * High chemical resistance, and long term durability.
- * Drop-In sinks can be flush or top mounted.
- * Easier to install than undermount sinks.

Ordering Information:

- * Standard color is Black (contact factory for other color selections).
- * Fixtures and accessories are to be ordered separately.
- * For double sinks, use two Drop-Ins placed side-by-side.
- * Consult factory for additional sizes.



Note: Sink depth is to edge of drain opening

Sink Model No.	Dimensions (Inches)						Wt. (lbs)
	Inside			Outlet Location			
	A	B	C	-	G	H	
♿ A05	14"	10"	5"	Corner	3.5"	3.5"	18
♿ A25	18"	15"	5"	Corner	3.5"	3.5"	35
♿ A55	25"	15"	4.8"	Corner	3.5"	3.5"	47
D01C	9"	6"	5.8"	Center	4.5"	3"	9
D03C	12"	8"	5.8"	Center	6"	4"	16
D05C	14"	10"	6.2"	Center	7"	5"	24
D10C	16"	8"	6.8"	Center	8"	4"	22
D15C	16"	12"	8"	Center	8"	6"	31
D20	16"	16"	7.5"	Corner	3.5"	3.5"	32
D21*	16"	16"	15"	Corner	3.5"	3.5"	58
D22C	18"	6.5"	6.8"	Center	9"	3.3"	30
D24	18"	14"	10.5"	Center	9"	6.8"	30
D25	18"	15"	7.9"	Corner	3.5"	3.5"	39
D30C	18"	15"	10.8"	Center	9"	7.5"	50
D32*	18"	15"	15.8"	Corner	3.5"	3.5"	49
D33E	21"	17"	9.8"	End	4.5"	8.5"	59
D45	21.5"	15.5"	11"	Corner	3.5"	3.5"	64
D50C	24"	16"	8"	Center	12"	8"	48
D52	24"	18"	11"	Corner	3.5"	3.5"	77
D55	25"	15"	10"	Corner	3.5"	3.5"	61
D59	28"	15"	11.8"	Corner	3.5"	3.5"	61
D68*	30"	16"	10"	End	4.75"	8"	70
D70C	24"	16"	15.5"	Center	8"	12"	95

*Special Order Sinks, Color restrictions may apply

♿ = ADA Compliant

Laboratory Accessories

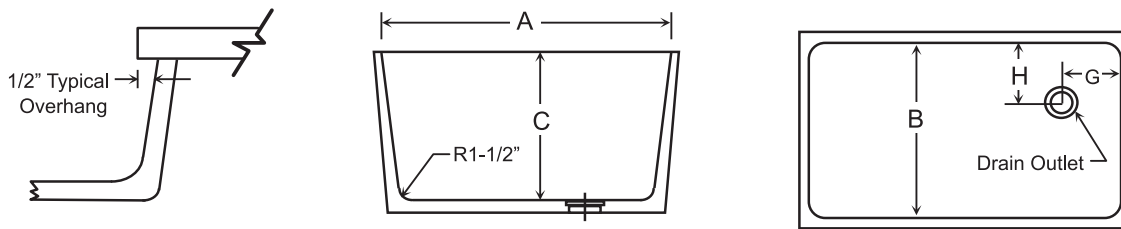
Epoxy Resin Sinks - Undermount [Loose]

Product Features:

- * Molded in one piece with covered corners, sides, and bottom; 1/2" thick walls.
- * High chemical resistance and long term durability.
- * Available in a wide variety of sizes.

Ordering Information:

- * Standard color is Black (contact factory for other color selections).
- * Fixtures and accessories are ordered separately.
- * Consult factory for additional sizes.



Note: Sink depth is to edge of drain opening

Sink Model No.	Dimensions (Inches)						Wt. (lbs)
	Inside			Outlet Location			
	A	B	C		G	H	
U02C*	12"	6"	6"	Center	6"	3"	16
U08C*	12"	12"	8"	Center	6"	6"	25
U16*	15.8"	13.8"	7.9"	Center	7.9"	6.9"	36
U23C*	16"	16"	12"	Center	8"	8"	54
U34*	20"	20"	12"	Center	10"	10"	55
U35E	21"	18"	10"	End	4.5"	9"	61
U45	21.5"	15.5"	11"	Corner	4"	4"	64
U49	22"	14.5"	10.6"	Corner	4"	3.5"	68
U51E*	24"	16"	10"	End	4.5"	8"	59
U53E*	24.4"	18.4"	16.8"	End	4.3"	9.3"	85
U56C	24"	16"	12"	Center	12"	8"	76
U58E	27.8"	14.8"	8"	End	7.5"	11.5"	83
U61*	30"	18"	18"	Center	15"	9"	141
U63E	31"	17"	10"	End	4"	8.5"	75
U66C*	35.7"	19.7"	12"	Center	17.9"	9.9"	110
U67*	36"	20"	16"	Center	18"	10"	118
U71C*	43"	15"	11"	Center	21.5"	7.5"	108
U72C	43.3"	15.3"	16"	Center	21.7"	7.7"	179
U75C*	42"	20"	10"	Center	21"	10"	126
U77*	42.5"	20.1"	16"	Center	21.3"	10.1"	212
U81E*	48.8"	24.6"	5.6"	End	4"	12.2"	100
RS10C*	19.5"	Round	8.5"	Center	--	--	37
H20C*	30"	Hexagon	6.9"	Center	--	--	82

*Special Order Sinks, Color restrictions may apply

Laboratory Accessories

Cupsinks and Sink Accessories

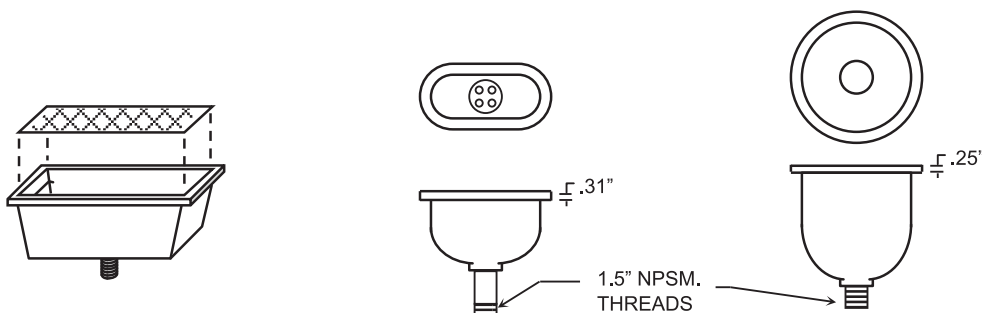
Product Features:

- * Cupsinks are molded in one piece with coved corners, sides, and bottom.
- * High chemical resistance and long term durability.

Ordering Information:

- * Standard color is Black (contact factory for other color selections).
- * Specify height of overflows (Ex. OE-6 = Open End overflow, 6" high).

Cup Sinks



Model TS18*

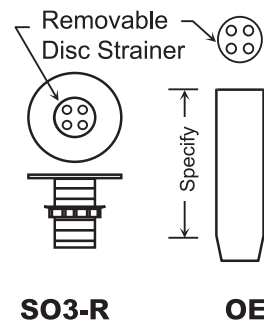
Models CS4R

Model TS07

Model No.	Description (Shape)	Dimensions				Wt. (lbs)
		Inside			Outside	
		Length	Width	Depth	Height	
Standard Polypropylene Resin						
CS4R	Oval	6.3"	3.1"	4"	8.1"	3
Special Epoxy Resin						
TS04*	Oval	5.7"	2.7"	3.7"	8.3"	3
TS12	Oval	8.8"	2.7"	5.8"	10"	4
TS07	Round	6" Diameter		6"	11.4"	3
TS18**	Rectangle	13.6"	4.4"	5.4"	9.9"	5
CW14	Wall Mt.	11"	3"	4"	5"	10
* Not available in Black, Gray, or White (Use CS4R)						
**CSEW includes #316 Monel Stainless Steel Screen.						

Sink Accessories

Model No.	Description	Dimensions		
		Inside Dia.	Outside Dia.	Length
Polypropylene Resin				
SO3-R	Sink Outlet/Strainer	1-1/2"	3-5/16"	2-3/4"
USS2	Sink Stopper	----	1-1/2"	----
U-OE	Open End Overflow	1"	1-1/2"	4", 6", 8", 10"
O.E.S.	Strainer Cap (for OE)	----	----	----



SO3-R

OE

Laboratory Accessories

Service Fixtures - Valve Selection Guide

A wide selection of valves are available for use with laboratory gasses. The selection of a valve for any particular application depends upon many factors, including the working pressure of the gas, the degree of metering or control desired, and the characteristics (including the corrosiveness) of the gas. This Valve Selection Guide is presented to assist in selecting the most appropriate valve for an application. However, care must be taken in selecting valves for gas service. In particular, reference must be made to applicable plumbing and piping codes, life safety standards and project specifications when selecting valves. (*Not all service types are included within this catalog, contact factory for information.)

	Fine Control Needle Valve	Standard Needle Valve	Needle Point Cock	Laboratory Ball Valve	Ground Key Cock
Construction	Needle Point	Needle Point	Needle Point	Ball Valve	Ground Key
Control	Precise Metering	Good Metering	Limited Metering	On/Off	On/Off
Material	Brass or St. Stl.	Brass or St. Stl.	Brass	Brass or St. Stl.	Brass
Handle	Four Arm	Four Arm	Round Knurled	Lever	Lever
Test Pressure/Media	375 PSI/Nit	225 PSI/Nit	100 PSI/Nit	125 PSI/Nit	80 PSI/Ar
Max. Working Pressure	250 PSI	150 PSI	60 PSI	75 PSI	40 PSI
AGA/CGA Certification	No	No	No	Yes	No
ADA Compliant	No	No	No	Yes	No
Use with Pressure Regulator	Yes	No	No	No	No
Cleaned for High Purity Gas	Standard	When Ordered	When Ordered	When Ordered	No

Gas Compatibility by Service (Symbol):

Air (AIR)	Yes	Yes	Yes	Yes	Yes
Ammonia (NH3)	Yes (St. Stl. Only)	Yes (St. Stl. Only)	No	No	No
Acetylene (C2H2)	Yes (St. Stl. Only; 15 PSI max)	Yes (St. Stl. Only; 15 PSI max)	No	No	No
Argon (AR)	Yes	Yes	Yes	Yes	No
Butane (BUT)	Yes	Yes	Yes	Yes	No
Carbon Dioxide (CO2)	Yes	Yes	Yes	Yes	No
Carbon Monoxide (CO)	Yes	Yes	Yes	Yes	No
Compressed Air (CA)	Yes	Yes	Yes	Yes	Yes
Cylinder Gas (CYL GAS)	Yes	Yes	Yes	Yes	No
Gas (GAS)	Yes	Yes	Yes	Yes	Yes
Helium (HE)	Yes	Yes	Yes	Yes	No
High Vacuum (HI VAC)	Yes	Yes	Yes	Yes	Yes
Hydrogen (HYD)	Yes	Yes	Yes	Yes	No
Methane (CH4)	Yes	Yes	Yes	Yes	No
Nitrogen (NIT)	Yes	Yes	Yes	Yes	No
Oxygen (OXY)	Yes	Yes (Specially Clean)	Yes (Specially Clean)	Yes (Specially Clean)	No
Propane (PRO)	Yes	Yes	Yes	Yes	No
Special Gas (SG)	Yes	Yes	Yes	Yes	No
Vacuum (VAC)	Yes	Yes	Yes	Yes	Yes

Laboratory Accessories

Service Fixtures - Service Fixture Indexing

WaterSaver faucets and valves are furnished with either a forged brass or molded nylon handle. Handles have a raised screw-on colored index button permitting visibility of index color from top and all sides. Color-coding and symbol standards for index buttons are as follows:

Standard Indexing	Index Color	Letter Color	Symbol	Other Indexing	Index Color	Letter Color	Symbol
Air	Orange	Black	AIR	Ice Water	White	Black	IW
Carbon Dioxide	Pink	Black	CO2	Industrial Cold Water	Green	White	ICW
Cold Water	Green	White	CW	Industrial Hot Water	Red	Red	IHW
Deionized Water	White	Black	DI	Isobutene	Silver	Black	ISO
Distilled Water	White	Black	DW	Lab Air	Orange	Black	LA
Gas	Blue	White	GAS	Lab Gas	Blue	White	LG
Hot Water	Red	White	HW	Lab Vacuum	Yellow	Black	LV
Hydrogen	Pink	Black	HYD	Low Vacuum	Yellow	Black	LO VAC
Nitrogen	Brown	White	NIT	Low Vacuum	Yellow	Black	LVAC
Oxygen	Lt. Green	Black	OXY	Methane	Lt. Blue	Black	CH4
Steam	Black	White	STM	Natural Gas	Blue	White	NAT GAS
Vacuum	Yellow	Black	VAC	Nitrogen	Gray	Black	NIT
				Nitrogen	Gray	Black	N2
				Nitrogen	Brown	White	N
				Nitrogen	Brown	White	N2
				Nitrogen (Cylinder)	Brown	White	NC
				Nitrogen (Dewar)	Brown	White	ND
				Nitrous Oxide	Lt.Green	Black	N2O
				Oxygen	Lt. Green	Black	O2
				Phosphorus	Tan	Black	P
				Process Water	Green	White	PW
				Propane	Pink	Black	PRO
				Purified Water	White	Black	PW
				Reverse Osmosis	White	Black	RO
				Special Gas	Lt. Blue	Black	SG
				Sulphur Dioxide	Tan	Black	SO2
				Tempered Water	Green	White	TW
Other Indexing	Index Color	Letter Color	Symbol				
Acetylene	Violet	White	C2H2				
Acetylene	Violet	White	ACET				
Ammonia	Lt. Green	Black	NH3				
Argon	Violet	White	AR				
Aspirator	Green	White	ASP				
Butane	Lt. Blue	Black	BUT				
Carbon Monoxide	Silver	Black	CO				
Chilled Water	Green	White	CH WAT				
Chilled Water Supply	Green	White	CHWS				
Chilled Water Supply	Green	White	CWS				
Chilled Water Return	Green	White	CHWR				
Chilled Water Return	Green	White	CWR				
Compressed Air	Orange	Black	CA				
Cylinder Gas	Lt. Blue	Black	CYL GAS				
Glycol Supply	Lt. Green	Black	GYL SUP				
Glycol Return	Lt. Green	Black	GYL RET				
Helium	Black	White	HE				
High Vacuum	Yellow	Black	HI VAC				
High Vacuum	Yellow	Black	HVAC				
Hydrogen	Pink	Black	H2				
Hydrogen	Lt. Blue	Black	H				
Hydrogen	Lt. Blue	Black	H2				
Hydrogen	Lt. Blue	Black	HYD				
Hydrogen Sulphite	Black	White	H2S				

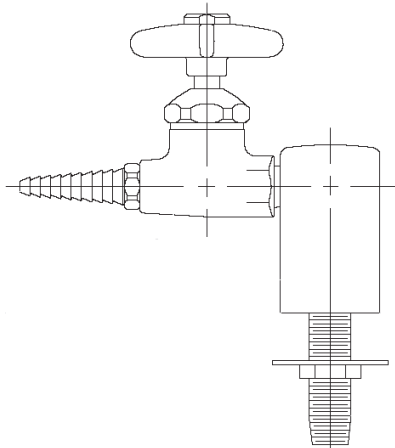
****Always specify service when ordering fixtures***

Laboratory Accessories

Service Fixtures - Water Valves, Steam Valves

L2800-131WS

Water Valve Assembly,
Deck Mounted



Application: Laboratory water valve with inlet and outlet at 180 degrees.

Mounting: Deck mounted turret base with single valve.

Valve Body: Forged brass with polished chrome plated finish.

Valve Unit: WaterSaver self-contained renewable unit with replaceable stainless steel seat.

Handle: Forged brass four-arm handle with color-coded index disc.

Inlet: 3/8" IPS male inlet.

Outlet: 3/8" IPS female outlet with removable ten serration hose end.

ADDITIONAL MODELS

L2800-132SWS Same as above except with two valves at 180°

L2800-132AWS Same as above except with two valves at 90°

L2800-133WS Same as above except with three valves at 90° apart.

L2800-134WS Same as above except with four valves at 90° apart..

L2800-141WS Panel/Wall mounted with two valves in wye fitting.

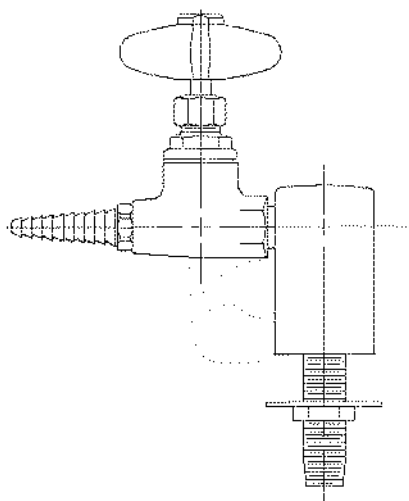
L4800F-225WSA Panel/overhead carrier mounted with single valve.

L4800FT-325 Wall mounted, same as above but with female inlet for connection directly to supply.

Note: Valve assemblies are furnished with mounting shank, locknut and washer (designated by "WS"). If mounting shank is to be assembled, use suffix "WSA".

L2890-131WS

Steam Valve Assembly,
Deck Mounted



Application: Low pressure laboratory steam. Maximum working pressure is 20 PSI.

Mounting: Deck mounted turret base with single valve.

Valve Body: Forged brass with polished chrome plated finish.

Valve Unit: Globe valve design with glass-filled TFE valve disc and stem packing. Replaceable stainless steel seat.

Handle: Heat resistant black nylon four-arm handle with color-coded index disc.

Inlet: 3/8" IPS male inlet.

Outlet: 3/8" IPS female outlet with removable ten serration hose end.

ADDITIONAL MODELS

L2890-132SWS Same as above except with two valves at 180°.

L2890-132AWS Same as above except with two valves at 90°.

L2890-133WS Same as above except with three valves at 90° apart..

L2890-134WS Same as above except with four valves.

L2890-141WS Panel/Wall mounted with two valves in wye fitting.

L4890F-225WSA Panel/overhead carrier mounted with single valve.

L4890FT-325 Wall mounted, same as above but with female inlet for connection directly to supply.

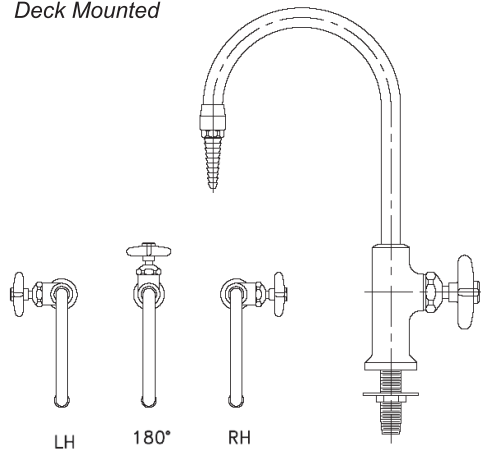
Note: Valve assemblies are furnished with mounting shank, locknut and washer (designated by "WS"). If mounting shank is to be assembled, use suffix "WSA".

Laboratory Accessories

Service Fixtures - Single Faucets

L611

Deck Mounted



Application: Deck mounted faucet for cold or hot water.

Body: Forged brass with polished chrome plated finish.

Valve Unit: WaterSaver self-contained renewable unit with replaceable stainless steel seat.

Handle: Forged brass four-arm handle with color-coded index disc.

Gooseneck: 6" rigid gooseneck. Gooseneck is set in right hand configuration unless left hand or 180 degrees is specified.

Inlet: 3/8" IPS male shank with locknut and washer.

Outlet: 3/8" IPS female outlet with removable ten serration hose end.

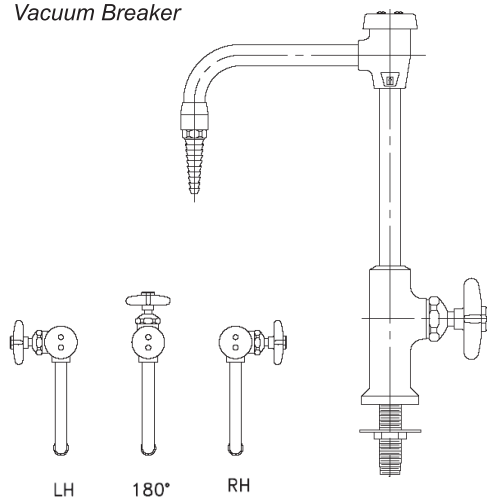
ADDITIONAL MODELS

L612 Same as L611 except with swing gooseneck.

L614 Same as L611 except with convertible rigid/swing gooseneck.

L611VB

Deck Mounted,
Vacuum Breaker



Application: Deck mount faucet with vacuum breaker for cold or hot water.

Body: Forged brass with polished chrome plated finish.

Valve Unit: WaterSaver self-contained renewable unit with replaceable stainless steel seat.

Handle: Forged brass four-arm handle with color-coded index disc.

Gooseneck: 6" rigid gooseneck. Gooseneck is set in right hand configuration unless left hand or 180 degrees is specified.

Vacuum Breaker: Integral vacuum breaker to prevent backflow. Vacuum breaker has replaceable seat and ultra-light float cup to resist spilling at low flow.

Inlet: 3/8" IPS male shank with locknut and washer.

Outlet: 3/8" IPS female outlet with removable ten serration hose end.

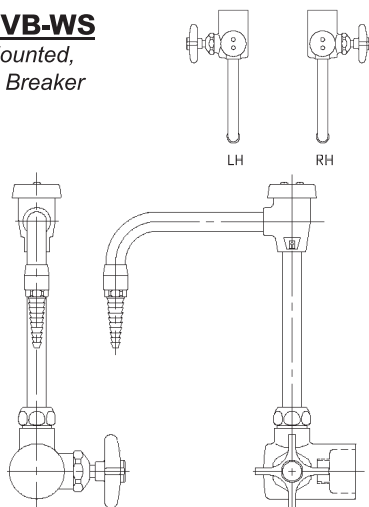
ADDITIONAL MODELS

L612VB Same as L611VB except with swing gooseneck.

L614VB Same as L611VB except with convertible rigid/swing gooseneck.

L2714VB-WS

Panel Mounted,
Vacuum Breaker



Application: Panel mount faucet with vacuum breaker for cold or hot water.

Body: Forged brass with polished chrome plated finish.

Valve Unit: WaterSaver self-contained renewable unit with replaceable stainless steel seat.

Handle: Forged brass four-arm handle with color-coded index disc.

Gooseneck: 6" rigid/swing gooseneck.

Vacuum Breaker: Integral vacuum breaker to prevent backflow. Vacuum breaker has replaceable seat and ultra-light float cup to resist spilling at low flow.

Inlet: 1/2" IPS female inlet with mounting shank, locknut and washer.

Outlet: 3/8" IPS female outlet with removable ten serration hose end.

ADDITIONAL MODELS

L2714L-VB-WS Same as L2714VB-WS except with handle on left side.

L2714-WS Same as L2714VB-WS except without vacuum breaker.

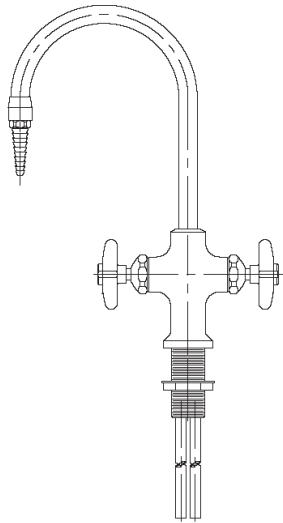
*See Page 60 for faucet options

Laboratory Accessories

Service Fixtures - Mixing Faucets

L411

Deck Mounted



Application: Deck mounted faucet for hot and cold water.

Body: Forged brass with polished chrome plated finish.

Valve Units: WaterSaver self-contained renewable unit with replaceable stainless steel seats.

Handles: Forged brass four-arm handles with color-coded index discs.

Gooseneck: 6" rigid gooseneck.

Inlet: (2) 3/8" OD flexible copper tubing, 1-3/16"-18 mounting shank with locknut and washer.

Outlet: 3/8" IPS female outlet with removable ten serration hose end.

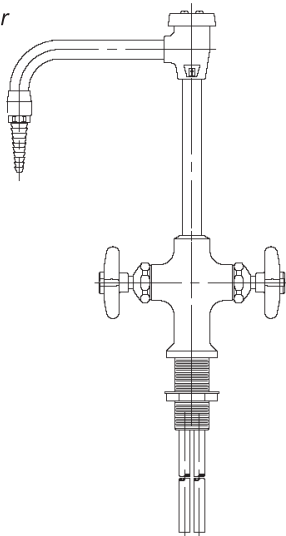
ADDITIONAL MODELS

L412 Same as L411 except with swing gooseneck.

L414 Same as L411 except with convertible rigid/swing gooseneck.

L411VB

*Deck Mounted,
Vacuum Breaker*



Application: Deck mount faucet with vacuum breaker for hot and cold water.

Body: Forged brass with polished chrome plated finish.

Valve Units: WaterSaver self-contained renewable unit with replaceable stainless steel seats.

Handles: Forged brass four-arm handles with color-coded index discs.

Gooseneck: 6" rigid gooseneck.

Vacuum Breaker: Integral vacuum breaker to prevent backflow. Vacuum breaker has replaceable seat and ultra-light float cup to resist spilling at low flow.

Inlet: (2) 3/8" OD flexible copper tubing, 1-3/16"-18 mounting shank with locknut and washer.

Outlet: 3/8" IPS female outlet with removable ten serration hose end.

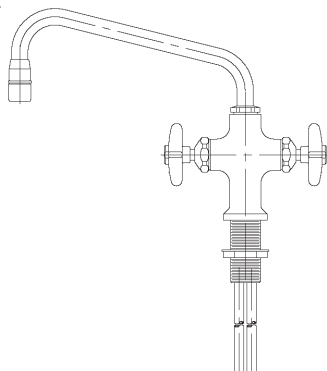
ADDITIONAL MODELS

L412VB Same as L411VB except with swing gooseneck.

L414VB Same as L411VB except with convertible rigid/swing gooseneck.

L410

*Deck Mounted,
Swing Spout*



Application: Deck mounted faucet for hot and cold water.

Body: Forged brass with polished chrome plated finish.

Valve Units: WaterSaver self-contained renewable unit with replaceable stainless steel seats.

Handles: Forged brass four-arm handles with color-coded index discs.

Spout: 9" swing spout.

Inlet: (2) 3/8" OD flexible copper tubing, 1-3/16"-18 mounting shank with locknut and washer.

Outlet: 3/8" IPS female outlet with removable aerator.

ADDITIONAL MODEL

L410VB Same as L410 except with vacuum breaker.

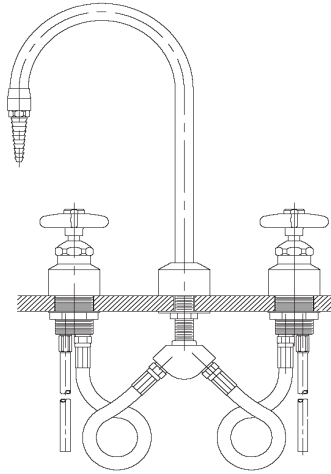
*See Page 60 for faucet options

Laboratory Accessories

Service Fixtures - Mixing Faucets

L2211

Deck Mounted



Application: Deck mounted faucet on 8" centers for hot and cold water.

Body: Forged brass with polished chrome plated finish.

Valve Units: WaterSaver self-contained renewable unit with replaceable stainless steel seats.

Handles: Forged brass four-arm handles with color-coded index discs.

Gooseneck: 6" rigid gooseneck.

Inlet: (2) 3/8" OD flexible copper tubing, (2) 1-3/8"-18 and center 3/8" IPS mounting shanks with locknuts and washers, 12" flexible hose.

Outlet: 3/8" IPS female outlet with removable ten serration hose end.

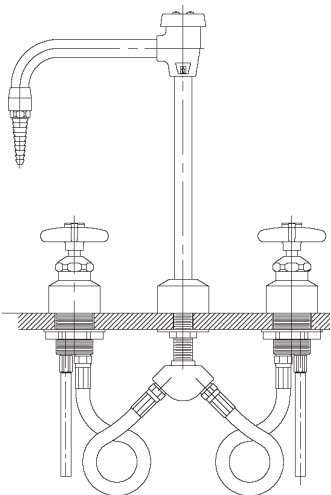
ADDITIONAL MODELS

L2212 Same as L2211 except with swing gooseneck.

L2214 Same as L2211 except with convertible rigid/swing gooseneck.

L2211VB

Deck Mounted, Vacuum Breaker



Application: Deck mounted faucet on 8" centers for hot and cold water.

Body: Forged brass with polished chrome plated finish.

Valve Units: WaterSaver self-contained renewable unit with replaceable stainless steel seats.

Handles: Forged brass four-arm handles with color-coded index discs.

Gooseneck: 6" rigid gooseneck.

Vacuum Breaker: Integral vacuum breaker to prevent backflow. Vacuum breaker has replaceable seat and ultra-light float cup to resist spilling at low flow.

Inlet: (2) 3/8" OD flexible copper tubing, (2) 1-3/8"-18 and center 3/8" IPS mounting shanks with locknuts and washers, 12" flexible hose.

Outlet: 3/8" IPS female outlet with removable aerator.

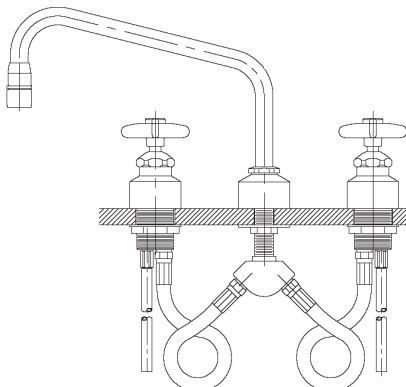
ADDITIONAL MODELS

L2212VB Same as L2211VB except with swing gooseneck.

L2214VB Same as L2211VB except with convertible rigid/swing gooseneck.

L2210

Deck Mounted, Swing Spout



Application: Deck mounted faucet on 8" centers for hot and cold water.

Body: Forged brass with polished chrome plated finish.

Valve Units: WaterSaver self-contained renewable unit with replaceable stainless steel seats.

Handles: Forged brass four-arm handles with color-coded index discs.

Spout: 9" swing spout.

Inlet: (2) 3/8" OD flexible copper tubing, (2) 1-3/8"-18 and center 3/8" IPS mounting shanks with locknuts and washers, 12" flexible hose.

Outlet: 3/8" IPS female outlet with removable aerator.

ADDITIONAL MODELS

L2210VB Same as L2210 except with vacuum breaker.

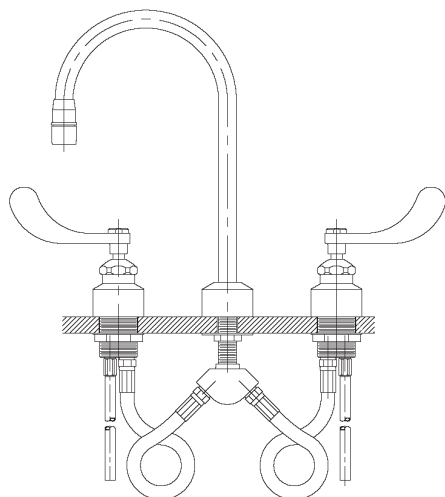
**See Page 60 for faucet options*

Laboratory Accessories

Service Fixtures - Mixing Faucets

L2221

Deck Mounted



Application: Deck mounted faucet on 8" centers for hot and cold water.

Body: Forged brass with polished chrome plated finish.

Valve Units: WaterSaver self-contained renewable unit with replaceable stainless steel seats.

Handles: 4" Forged brass wrist blade handles with color-coded index discs.

Gooseneck: 6" rigid gooseneck.

Inlet: (2) 3/8" OD flexible copper tubing, (2) 1-3/8"-18 and center 3/8" IPS mounting shanks with locknuts and washers, 12" flexible hose.

Outlet: 3/8" IPS female outlet with removable aerator.

ADDITIONAL MODELS

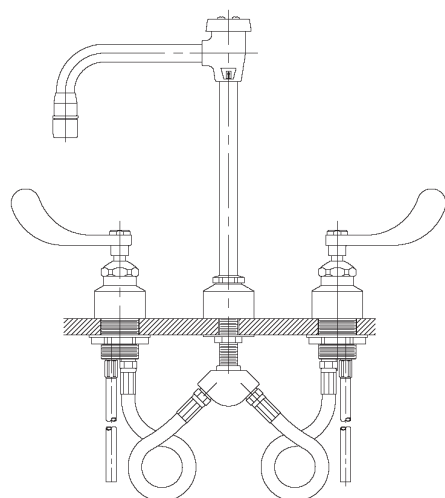
L2222 Same as L2221 except with swing gooseneck.

L2224 Same as L2221 except with convertible rigid/swing gooseneck.



L2221VB

Deck Mounted, Vacuum Breaker



Application: Deck mounted faucet on 8" centers for hot and cold water.

Body: Forged brass with polished chrome plated finish.

Valve Units: WaterSaver self-contained renewable unit with replaceable stainless steel seats.

Handles: 4" Forged brass wrist blade handles with color-coded index discs.

Gooseneck: 6" rigid gooseneck.

Vacuum Breaker: Integral vacuum breaker to prevent backflow. Vacuum breaker has replaceable seat and ultra-light float cup to resist spilling at low flow.

Inlet: (2) 3/8" OD flexible copper tubing, (2) 1-3/8"-18 and center 3/8" IPS mounting shanks with locknuts and washers, 12" flexible hose.

Outlet: 3/8" IPS female outlet with removable aerator.

ADDITIONAL MODELS

L2222VB Same as L2221VB except with swing gooseneck.

L2224VB Same as L2221VB except with convertible rigid/swing gooseneck.



OPTIONS for Single and Mixing Faucets

**Most models are available with an epoxy coating, contact factory for more details.*

Valve Units: Internal adjustable volume control on individual valve unit (add suffix "AC").

Handles: 4" Wrist blade handles in place of four-arm handles (add suffix "BH").
Lever handles in place of four-arm handles (add suffix "LE").

Goosenecks: 8" spread gooseneck in place of 6" (add suffix "8").

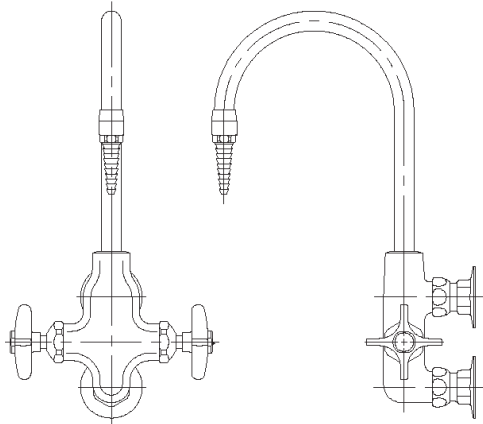
Outlets: BO055 Aerator in place of serrated hose end (add suffix "55").
BO127 Aspirator in place of serrated hose end (add suffix "127").

Laboratory Accessories

Service Fixtures - Mixing Faucets

L211WS

Panel Mounted



Application: Panel mounted faucet for hot and cold water with vertical inlets on 3" centers, cold water on bottom.

Body: Cast brass with polished chrome plated finish.

Valve Units: WaterSaver self-contained renewable unit with replaceable stainless steel seats.

Handles: Forged brass four-arm handles with color-coded index discs.

Gooseneck: 6" rigid gooseneck.

Inlet: Inlet 3/8" IPS female union inlets. Furnished complete with mounting shanks, locknuts and washers. *If mounting shanks are to be assembled, use suffix "WSA" in place of "WS".*

Outlet: 3/8" IPS female outlet with removable ten serration hose end.

ADDITIONAL MODELS

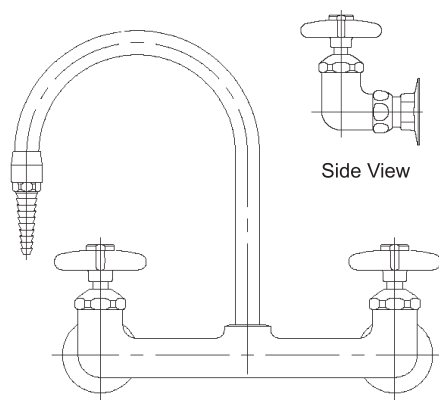
L212WS Same as L211WS except with swing gooseneck.

L214WS Same as L211WS except with convertible rigid/swing gooseneck.

Note: *If vacuum breaker is required, add suffix "VB".*

L511WS

Panel Mounted



Application: Panel mounted faucet for hot and cold water with horizontal inlets on 8" centers.

Body: Cast brass with polished chrome plated finish.

Valve Units: WaterSaver self-contained renewable unit with replaceable stainless steel seats.

Handles: Forged brass four-arm handles with color-coded index discs.

Gooseneck: 6" rigid gooseneck.

Inlet: 3/8" IPS female union inlets. Furnished complete with mounting shanks, locknuts and washers. *If mounting shanks are to be assembled, use suffix "WSA" in place of "WS".*

Outlet: 3/8" IPS female outlet with removable ten serration hose end.

ADDITIONAL MODELS

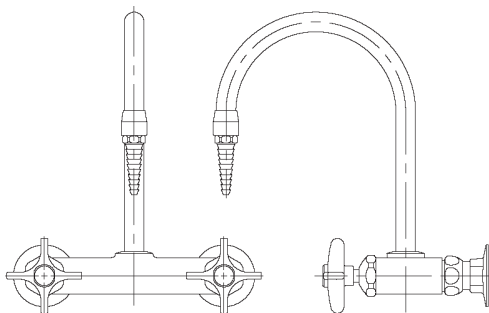
L512WS Same as L511WS except with swing gooseneck.

L514WS Same as L511WS except with convertible rigid/swing gooseneck.

Note: *If vacuum breaker is required, add suffix "VB".*

L1711WS

Panel Mounted



Application: Panel mounted faucet for hot and cold water with horizontal inlets on 6" centers.

Body: Cast brass with polished chrome plated finish.

Valve Units: WaterSaver self-contained renewable unit with replaceable stainless steel seats.

Handles: Forged brass four-arm handles with color-coded index discs.

Gooseneck: 6" rigid gooseneck.

Inlet: 3/8" IPS female union inlets. Furnished complete with mounting shanks, locknuts and washers. *If mounting shanks are to be assembled, use suffix "WSA" in place of "WS".*

Outlet: 3/8" IPS female outlet with removable ten serration hose end.

ADDITIONAL MODELS

L1712WS Same as L1711WS except with swing gooseneck.

L1714WS Same as L1711WS except with convertible rigid/swing gooseneck.

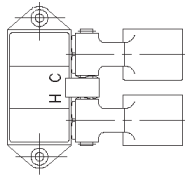
Note: *If vacuum breaker is required, add suffix "VB".*

Laboratory Accessories

Service Fixtures - Foot Operated Valves and Faucets

L3001

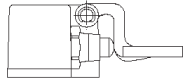
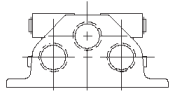
Mixing Valve,
Floor Mounted



Application: Floor mounted foot-operated valve for hot and cold water.
Body: Forged brass with polished chrome plated finish.
Valve Units: Self-closing renewable units with stainless steel valve stem.
Pedals: Cast aluminum pedals mounted on hinged bracket.
Inlets: (2) 1/2" IPS female inlets.
Outlet: 1/2" IPS female outlet.

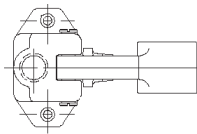
ADDITIONAL MODEL

L3001RCP Same as L3001 except with rough chrome plated finish.
Note: A foot-operated valve can be combined with a deck mount mixing faucet to create a faucet with both hand and foot controls. See page 52.



L3050

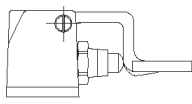
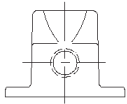
Single Valve,
Floor Mounted



Application: Floor mounted foot-operated valve for cold or hot water.
Body: Forged brass with polished chrome plated finish.
Valve Units: Self-closing renewable units with stainless steel valve stem.
Pedals: Cast aluminum pedals mounted on hinged bracket.
Inlets: 1/2" IPS female inlet (back).
Outlet: 1/2" IPS female outlet (top).

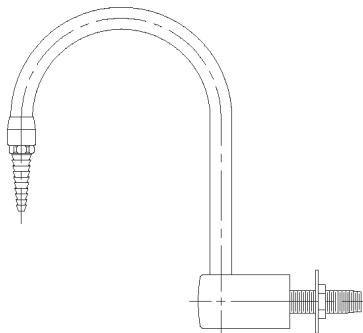
ADDITIONAL MODELS

L3050RCP Same as L3050 except with rough chrome plated finish.
L3050TL Same as L3050 except tin-lined for use with pure water.



L071WSA

Gooseneck,
Panel Mounted



Application: Panel mounted gooseneck for use with foot-operated valve.
Base: Forged brass with polished chrome plated finish.
Gooseneck: 6" rigid gooseneck with 3/8" IPS female outlet and removable ten serration hose end.
Inlet: 3/8" IPS female inlet. Furnished completely assembled with mounting shank, locknut and washer.

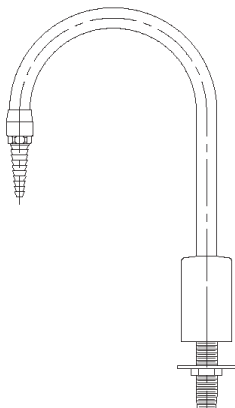
ADDITIONAL MODELS

L072WSA Same as L071WSA except with swing gooseneck.
L074WSA Same as L071WSA except with convertible rigid/swing gooseneck.

Note: If vacuum breaker is required, add suffix "VB". If tin-lining for use with pure water is required, add suffix "TL".

L081WSA

Gooseneck,
Deck Mounted



Application: Deck mounted gooseneck for use with foot-operated valve.
Base: Forged brass with polished chrome plated finish.
Gooseneck: 6" rigid gooseneck with 3/8" IPS female outlet and removable ten serration hose end.
Inlet: 3/8" IPS female inlet. Furnished completely assembled with mounting shank, locknut and washer.

ADDITIONAL MODELS

L082WSA Same as L081WSA except with swing gooseneck.
L084WSA Same as L081WSA except with convertible rigid/swing gooseneck.

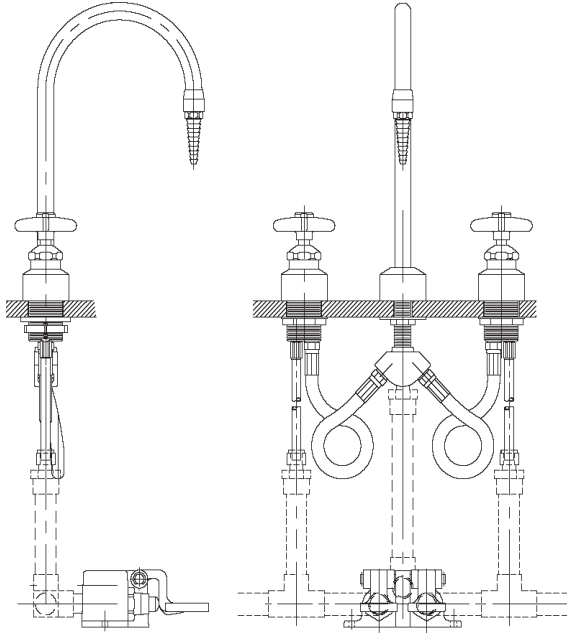
Note: If vacuum breaker is required, add suffix "VB".
 If tin-lining for use with pure water is required, add suffix "TL".

Laboratory Accessories

Service Fixtures - Foot Operated Valves and Faucets

L2211TWI-3001

Mixing Faucet, Floor Mounted mixing Valve



FAUCET:

Application: Deck mounted faucet on 8" centers for hot and cold water.

Body: Forged brass with polished chrome plated finish.

Valve Units: WaterSaver self-contained renewable unit with replaceable stainless steel seats.

Handles: Forged brass four-arm handles with color-coded index discs.

Gooseneck: 6" rigid gooseneck.

Inlet: (2) 3/8" OD flexible copper tubing, (2) 1-3/8"-18 and center 3/8" IPS mounting shanks with locknuts and washers, 12" flexible hose.

Outlet: 3/8" IPS female outlet with removable ten serration hose end.

PEDAL VALVE:

See Model **L3001** mixing valve on previous page.

ADDITIONAL MODELS:

L2212TWI-3001 with swing gooseneck.

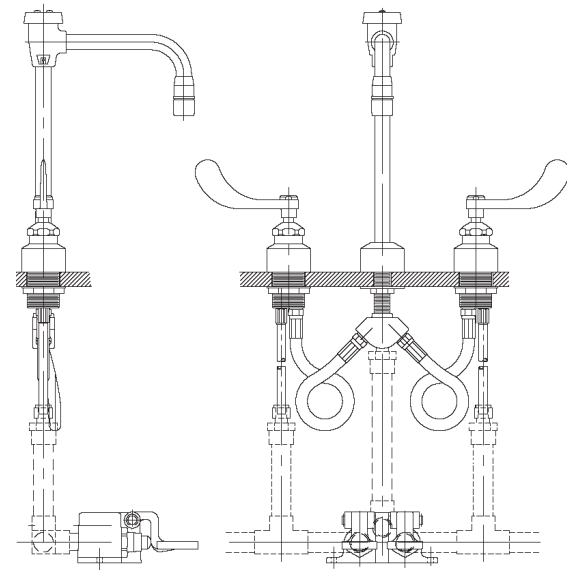
L2214TWI-3001 with convertible rigid/swing gooseneck.

Note: If vacuum breaker is required, add suffix "VB".

Note: Piping to be supplied by others.

L2221TWI-VB-3001

Mixing Faucet, Floor Mounted Mixing Valve, Vacuum Breaker



FAUCET:

Application: Deck mounted faucet on 8" centers for hot and cold water.

Body: Forged brass with polished chrome plated finish.

Valve Units: WaterSaver self-contained renewable unit with replaceable stainless steel seats.

Handles: Forged brass four-arm handles with color-coded index discs.

Gooseneck: 6" rigid gooseneck.

Vacuum Breaker: Integral vacuum breaker to prevent backflow. Vacuum breaker has replaceable seat and ultra-light float cup to resist spilling at low flow.

Inlet: (2) 3/8" OD flexible copper tubing, (2) 1-3/8"-18 and center 3/8" IPS mounting shanks with locknuts and washers, 12" flexible hose.

Outlet: 3/8" IPS female outlet with removable ten serration hose end.

PEDAL VALVE:

See Model **L3001** mixing valve on previous page..

ADDITIONAL MODELS:

L2222TWI-VB-3001 with swing gooseneck.

L2224TWI-VB-3001 with convertible rigid/swing gooseneck.

Note: If vacuum breaker is NOT required, delete suffix "VB".

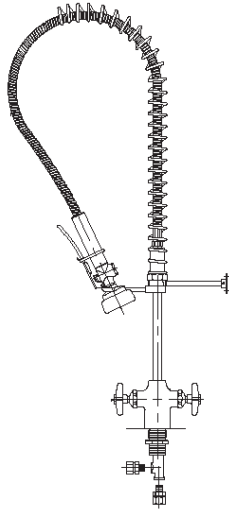
Note: Piping to be supplied by others.



Laboratory Accessories

Service Fixtures - Pre-Rinse Units

PR411
Deck Mounted



Application: Deck mounted pre-rinse unit for hot and cold water.

Body: Cast brass with polished chrome plated finish.

Valve Units: WaterSaver self-contained renewable units with replaceable stainless steel seats and integral check valves. Check valves prevent cross-mixing of hot and cold water.

Handles: Forged brass four-arm handles with color-coded index discs.

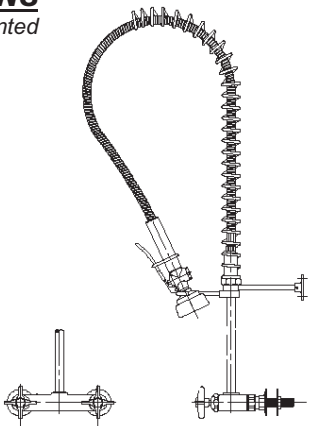
Pre-Rinse Assembly: Self-closing squeeze valve with rubber-bound spray head, insulated handle and locking ring. Valve is mounted on spring loaded 39" stainless steel hose.

Inlet: 1 3/16" male shank with (2) 1/2" OD slipjoint connections. Furnished complete with locknut, washer and inlet fittings.

ADDITIONAL MODEL

PR611 Same as above except for use with cold water only.

PR1711WS
Panel Mounted



Application: Panel mounted pre-rinse unit for hot and cold water.

Body: Cast brass with polished chrome plated finish.

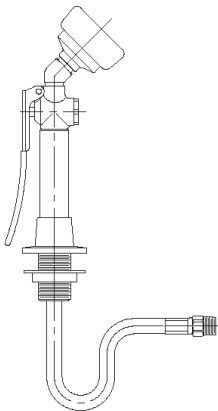
Valve Units: WaterSaver self-contained renewable units with replaceable stainless steel seats and integral check valves. Check valves prevent cross-mixing of hot and cold water.

Handles: Forged brass four-arm handles with color-coded index discs.

Pre-Rinse Assembly: Self-closing squeeze valve with rubber-bound spray head, insulated handle and locking ring. Valve is mounted on spring loaded 39" stainless steel hose.

Inlet: 3/8" IPS female union inlets. Furnished complete with mounting shanks, locknuts and washers. *If mounting shanks are to be assembled, use suffix "WSA".*

PR1020
Deck Mounted



Application: Deck mounted pre-rinse spray unit. May be connected directly to cold or tempered water supply or used with a foot-operated valve (see page 54).

Spray Head: Chrome plated forged brass spray-type outlet head with rubber collar.

Valve : Chrome plated forged brass squeeze valve with insulated handle and locking ring.

Hose: 8 ft. reinforced PVC hose. 300 PSI maximum rated working pressure.

Mounting: Nylon deck flange for countertop mounting.

Inlet: 3/8" IPS male swivel-type inlet.

ADDITIONAL MODEL

PR1020FSH Same as above except with 8 ft. stainless steel hose.

OPTIONS for Pre-Rinse Units

Handles: 4" Wrist blade handle in place of four-arm handle (add suffix "BH"). Lever handle in place of four-arm handle "(add suffix "LE").

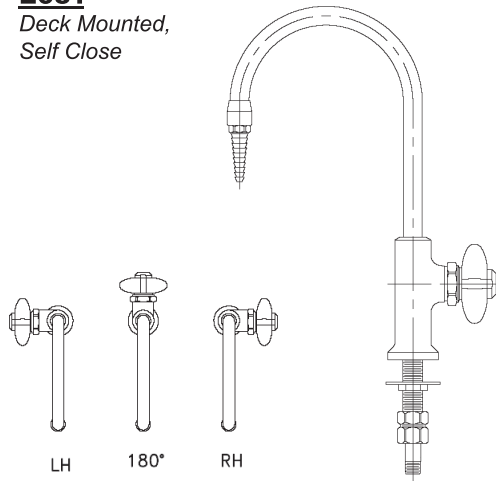
Vacuum Breaker: L110 in-line vacuum breaker installed between squeeze valve and spray head (add suffix "110").

Laboratory Accessories

Service Fixtures - Pure Water Faucets (Tin-Lined Brass)

L681

Deck Mounted,
Self Close



Application: Deck mounted faucet for distilled, deionized or reverse osmosis water. All components in contact with water have pure tin coating. Body and gooseneck are dipped in liquid tin to coat all interior surfaces.

Body: Forged brass with polished chrome plated finish.

Valve Unit: WaterSaver self-contained renewable unit with replaceable stainless steel seat. Valve has self-closing control.

Handle: White nylon four-arm handle with color-coded index disc.

Gooseneck: 6" rigid gooseneck.

Inlet: 3/8" IPS mounting shank with locknut and washer, 1/4" NPT tailpiece.

Outlet: 3/8" IPS female outlet with removable ten serration hose end.

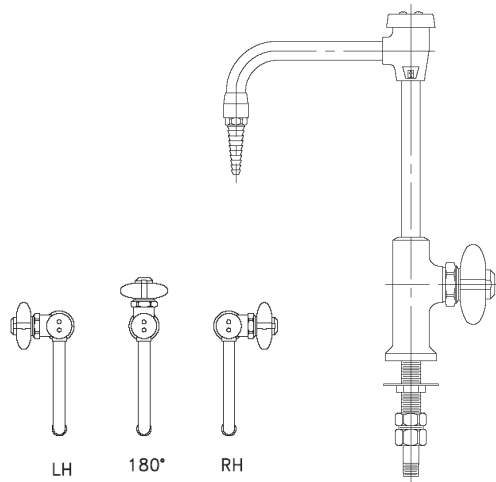
ADDITIONAL MODELS

L682 Same as L681 except with swing gooseneck.

L684 Same as L681 except with convertible rigid/swing gooseneck.

L681VB

Deck Mounted, Self Close,
Vacuum Breaker



Application: Deck mounted faucet for distilled, deionized or reverse osmosis water. All components in contact with water have pure tin coating. Body and gooseneck are dipped in liquid tin to coat all interior surfaces.

Body: Forged brass with polished chrome plated finish.

Valve Unit: WaterSaver self-contained renewable unit with replaceable stainless steel seat. Valve has self-closing control.

Handle: White nylon four-arm handle with color-coded index disc.

Gooseneck: 6" rigid gooseneck.

Vacuum Breaker: Integral vacuum breaker to prevent backflow. Vacuum breaker has replaceable seat and ultra-light float cup to resist spilling at low flow.

Inlet: 3/8" IPS mounting shank with locknut and washer, 1/4" NPT tailpiece.

Outlet: 3/8" IPS female outlet with removable ten serration hose end.

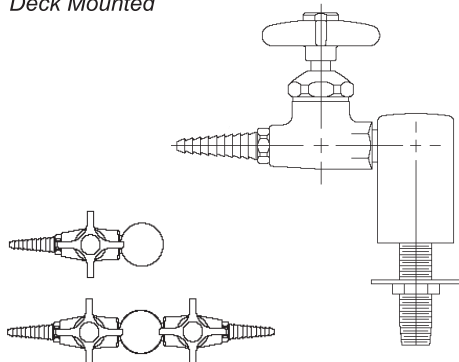
ADDITIONAL MODELS

L682VB Same as L681VB except with swing gooseneck.

L684VB Same as L681VB except with convertible rigid/swing gooseneck.

L2800-131WSA-TL

Deck Mounted



Application: Deck mounted valve for distilled, deionized or reverse osmosis water. All components in contact with water have pure tin coating.

Mounting: Deck mounted turret base with single outlet. Furnished with 3/8" IPS mounting shank (assembled), locknut and washer.

Valve Body: Forged brass with polished chrome plated finish.

Valve Unit: WaterSaver self-contained renewable unit with replaceable stainless steel seat.

Handle: Forged brass four-arm handle with color-coded index disc.

Outlet: 3/8" IPS female outlet with removable ten serration hose end.

ADDITIONAL MODELS

L2800-132SWSA-TL Same as above except with two valves at 180°.

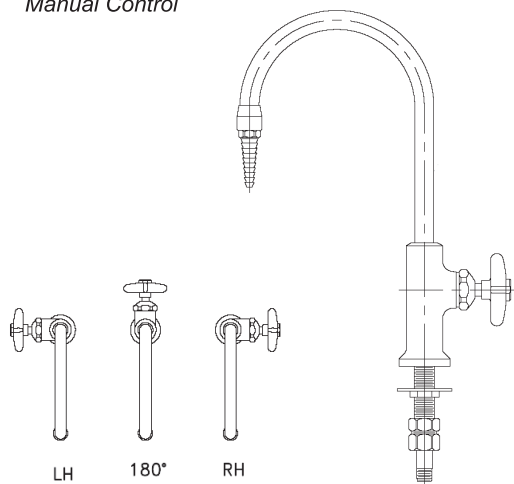
*See Page 66 for faucet options

Laboratory Accessories

Service Fixtures - Pure Water Faucets (Tin-Lined Brass)

L691

Deck Mounted,
Manual Control



Application: Deck mounted faucet for distilled, deionized or reverse osmosis water. All components in contact with water have pure tin coating. Body and gooseneck are dipped in liquid tin to coat all interior surfaces.

Body: Forged brass with polished chrome plated finish.

Valve Unit: WaterSaver self-contained renewable unit with replaceable stainless steel seat. Valve has manual on/off (compression) control.

Handle: Forged brass four-arm handle with color-coded index disc.

Gooseneck: 6" rigid gooseneck.

Inlet: 3/8" IPS mounting shank with locknut and washer, 1/4" NPT tailpiece.

Outlet: 3/8" IPS female outlet with removable ten serration hose end.

ADDITIONAL MODELS

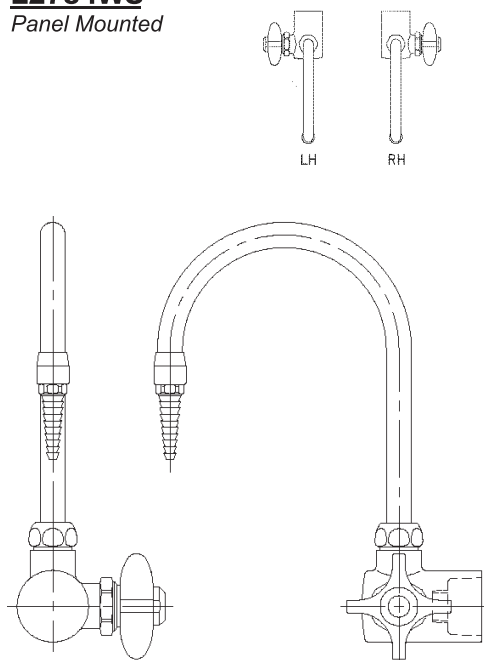
L692 Same as L691 except with swing gooseneck.

L694 Same as L691 except with convertible rigid/swing gooseneck.

Note: If vacuum breaker is required, add suffix "VB".

L2784WS

Panel Mounted



Application: Panel mounted faucet for distilled, deionized or reverse osmosis water. All components in contact with water have pure tin coating. Body and gooseneck are dipped in liquid tin to coat all interior surfaces.

Body: Forged brass with polished chrome plated finish.

Valve Unit: WaterSaver self-contained renewable unit with replaceable stainless steel seat. Valve has self-closing control.

Handle: White nylon four-arm handle with color-coded index disc.

Gooseneck: 6" rigid/swing gooseneck.

Inlet: 1/2" IPS female inlet. Furnished complete with mounting shanks, locknuts and washers. *If mounting shank is to be assembled, use suffix "WSA" in place of "WS".*

Outlet: 3/8" IPS female outlet with removable ten serration hose end.

ADDITIONAL MODEL

L2784L-WS Same as L2784WS except with handle on left side.

ADDITIONAL MODELS with MANUAL ON/OFF CONTROL

L2794WS Same as L2784WS except with manual on/off control, forged brass four arm handle.

L2794L-WS Same as L2794WS except with handle on left side.

Note: If vacuum breaker is required, add suffix "VB".

OPTIONS for Pure Water Faucets

Valve Units: Internal adjustable volume control on valve unit (add suffix "AC").

Handles: 4" Wrist blade handle in place of four-arm handle (add suffix "BH").

Lever handle in place of four-arm handle (add suffix "LE").

Goosenecks: 8" spread gooseneck in place of 6" (add suffix "8").

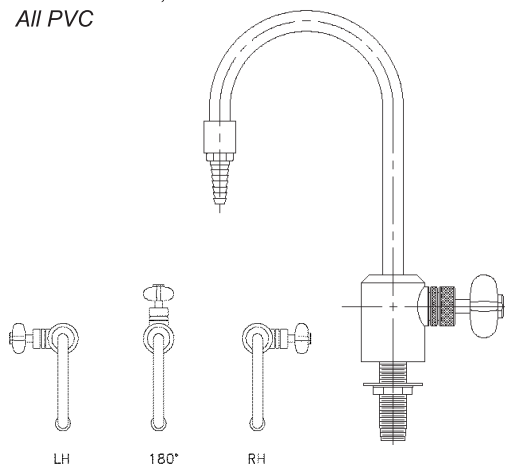
Vacuum Breaker: Gooseneck with integral vacuum breaker (add suffix "VB").

Laboratory Accessories

Service Fixtures - Pure Water Faucets (Plastic)

L7611WSA

Deck Mounted,
All PVC



Application: Deck mounted faucet for distilled, deionized or reverse osmosis water. Faucet is constructed entirely of polyvinyl chloride (PVC).

Body: PVC.

Valve Unit: PVC renewable unit with polypropylene valve disc and replaceable PVC seat. Valve has manual on/off control.

Handle: White nylon four-arm handle with color-coded index disc.

Gooseneck: 6" rigid PVC gooseneck. Gooseneck is set in right hand configuration unless left hand or 180 degrees is specified.

Inlet: 1/2" IPS male inlet.

Outlet: 3/8" IPS female outlet with removable ten serration hose end.

ADDITIONAL MODELS

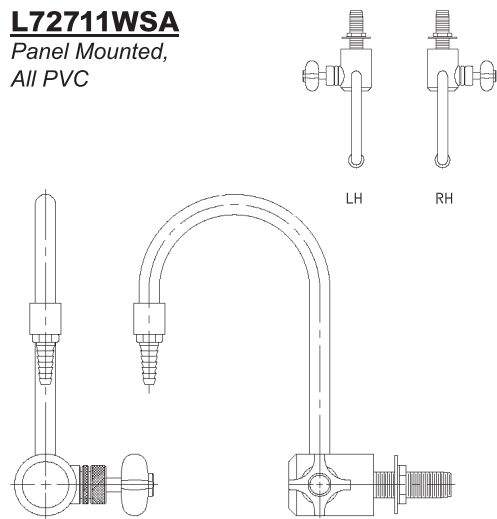
L7614WSA Same as L7611WSA except with rigid/swing gooseneck.

L7611WSA-PP Same as L7611WSA except with all polypropylene construction.

Note: If self-closing valve is required, add suffix "SC".

L72711WSA

Panel Mounted,
All PVC



Application: Panel mounted faucet for distilled, deionized or reverse osmosis water. Faucet is constructed entirely of polyvinyl chloride (PVC).

Body: PVC.

Valve Unit: PVC renewable unit with polypropylene valve disc and replaceable PVC seat. Valve has manual on/off control.

Handle: White nylon four-arm handle with color-coded index disc.

Gooseneck: 6" rigid PVC gooseneck.

Inlet: 1/2" IPS male inlet.

Outlet: 3/8" IPS female outlet with removable ten serration hose end.

ADDITIONAL MODELS

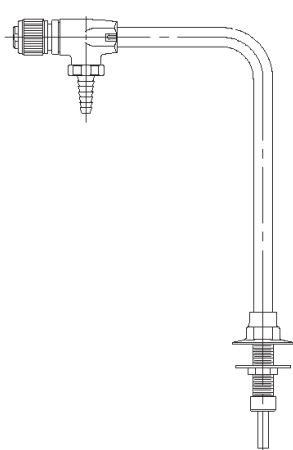
L72714WSA Same as L72711WSA except with rigid/swing gooseneck.

L72711WSA-PP Same as L72711WSA except with all polypropylene construction.

Note: If self-closing valve is required, add suffix "SC".

L7833

Deck Mounted,
Polypropylene
Lined



Application: Deck mounted faucet for distilled, deionized or reverse osmosis water. Faucet has exterior brass casing and interior lining of inert polypropylene. Pure water comes in contact only with inert plastic.

Valve Body: Forged brass with polished chrome plated finish.

Valve Unit: Diaphragm-type valve. Brass valve stem and bonnet with elastomer diaphragm. Valve has manual on/off control.

Handle: White nylon knurled handle with color-coded index disc.

Riser: 6" Rigid brass riser.

Inlet: 3/8" IPS male shank with 3/8" OD tube connection. Furnished with 3/8" OD compression adaptor for inlet.

Outlet: Seven serration plastic hose end.

ADDITIONAL MODEL

L7834 Same as L7833 except panel mounted.

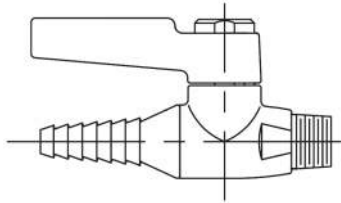
Note: If self-closing valve is required, add suffix "SC".

Laboratory Accessories

Service Fixtures – Laboratory Ball Valves

L4100

Laboratory Ball Valve



Application: On/off control of all laboratory gases. For use at pressures up to 75 PSI. When ordered, valve may be specially cleaned, lubricated and packaged for pure gas service. Valve is certified for gas service by the American Gas Association (AGA) and the Canadian Gas Association (CGA). *Valve is recommended for ADA-Compliant applications.*

Valve Body: Forged brass with polished chrome plated finish.

Valve Unit: Quarter-turn open/close with chrome plated brass ball and molded TFE seals.

Handle: Chrome plated forged brass lever handle with color-coded index disc.

Inlet: 3/8" IPS male inlet.

Outlet: Integral (non-removable) seven serration hose end.

ADDITIONAL MODELS

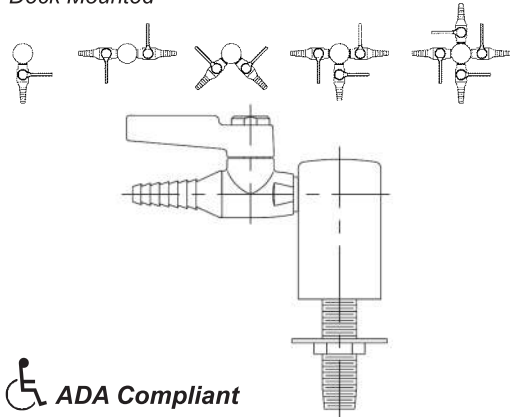
L4200 Laboratory ball valve same as L4100 but with removable ten serration hose end.

Note: *If internal check valve to prevent back flow is required add suffix "CV".*



L4100-131WS

Laboratory Ball Valve Assembly,
Deck Mounted



Mounting: Deck mounted turret base with single valve. Furnished with 3/8" IPS mounting shank, locknut, and washer.

Valve Body: Forged brass with polished chrome plated finish.

Valve Unit: Quarter-turn open/close with chrome plated brass ball and molded TFE seals.

Handle: Chrome plated forged brass lever handle with color-coded index disc.

Outlet: Integral (non-removable) seven serration hose end.

ADDITIONAL MODELS

L4100-132SWS Same as above except with two valves at 180°

L4100-132AWS Same as above except with two valves at 90°.

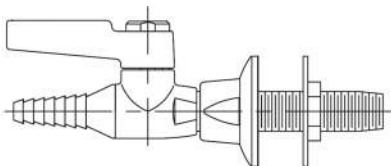
L4100-133WS Same as above but with three valves at 90° apart.

L4100-134WS Same as above but with four valves.



L4100-158WS

Laboratory Ball Valve Assembly,
Panel Mounted



Mounting: Panel mounted flange with single valve. Furnished with 3/8" IPS mounting shank, locknut, and washer.

Valve Body: Forged brass with polished chrome plated finish.

Valve Unit: Plug valve design with quarter-turn open/close. Plug is individually ground and lapped into valve body.

Handle: Chrome plated forged brass lever handle with color-coded index disc.

Outlet: Integral (non-removable) seven serration hose end.

ADDITIONAL MODEL

L4100-141WS Same as above except with two valves in ywe fitting.



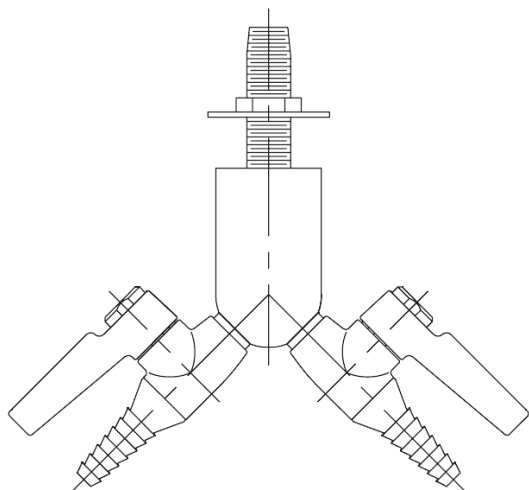
Note: *All Laboratory Ball Valve assemblies are furnished with mounting shank, locknut and washer (designated by "WS"). If mounting shank is to be assembled, use suffix "WSA".*

Laboratory Accessories

Service Fixtures – Ball/Needle Valves

L4100-148-2SWS

Ball Valve Assembly
Overhead Carrier Mounted



Application: On/off control of all laboratory gases. For use at pressures up to 75 PSI. When ordered, valves may be specially cleaned, lubricated and packaged for pure gas service. Valve is certified for gas service by the American Gas Association (AGA) and the Canadian Gas Association (CGA).

Mounting: Overhead Carrier/Underside/Panel mounted tall wye turret base with two valves at 90°.

Valve Body: Forged brass with polished chrome plated finish.

Valve Unit: Quarter-turn open/close with chrome plated brass ball and molded TFE seals.

Handle: Forged brass lever handle with color-coded index disc.

Inlet: 3/8" IPS male inlet.

Outlet: Integral (non-removable) seven serration hose end.

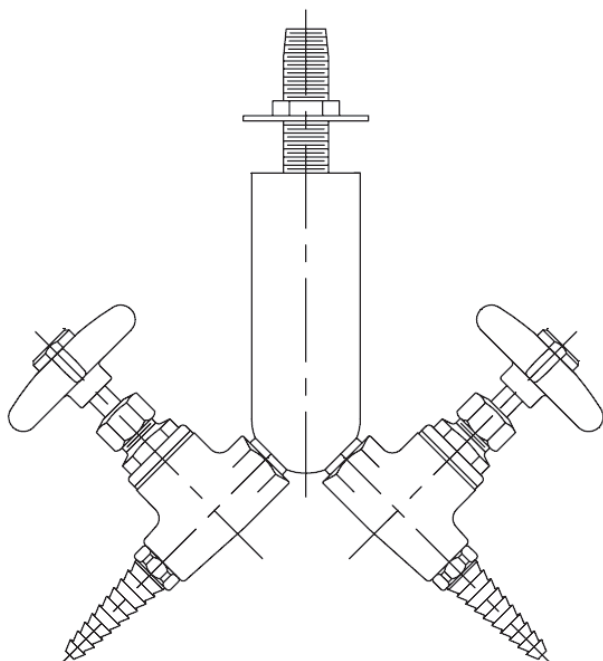
ADDITIONAL MODELS

L4200-148-2SWSA Same as L4100 but with removable ten serration hose ends.

**Overall length 5-3/8" from base to valve tip.*

L2880-149-2SWS

Needle Valve Assembly,
Overhead Carrier Mounted



Application: Flow regulation of all laboratory gases, including special gases such as nitrogen, oxygen, helium, and hydrogen. When ordered, valves may be specially cleaned, lubricated and packaged for pure gas service.

Mounting: Overhead Carrier/Underside/Panel mounted tall wye turret base with two valves at 90°.

Valve Body: Forged brass with polished chrome plated finish.

Valve Unit: Globe valve design with glass-filled TFE valve disc and stem packing. Replaceable stainless steel seat.

Handle: Forged brass four-arm handle with color-coded index disc.

Outlet: 3/8" IPS female outlet with removable ten serration hose end.

Note: This unit can also be used underneath reagent rack shelves.

**Overall length 7-1/4" from base to valve tip.*

Note: Assemblies are furnished with mounting shank, locknut and washer (designated by "WS"). If mounting shank is to be assembled, use suffix "WSA".

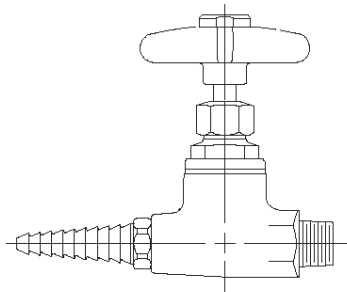
**Depending on the application, shorter or longer shanks may be needed.*

Laboratory Accessories

Service Fixtures - Needle Valves

L2880

*Needle Valve,
Straight Pattern*



Application: Flow regulation of all laboratory gases, including special gases such as nitrogen, oxygen, helium, and hydrogen. When ordered, valve may be specially cleaned, lubricated and packaged for pure gas service.

Valve Body: Forged brass with polished chrome plated finish.

Valve Unit: Floating stainless steel needle and replaceable stainless steel seat. Valve goes from closed to open in 3-1/2 revolutions of handle, providing good flow regulation.

Handle: Forged brass four-arm handle with color-coded index disc.

Inlet: 3/8" IPS male inlet.

Outlet: 3/8" IPS female outlet with removable ten serration hose end.

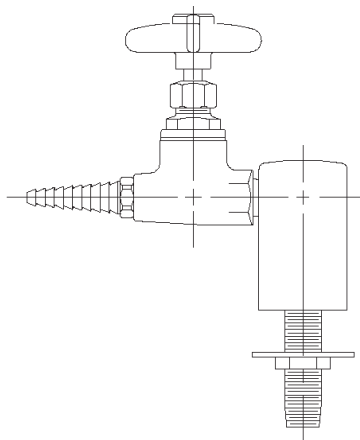
ADDITIONAL MODELS

L2882 Needle valve with angled serrated hose end.

L2883 Needle valve with quick connect fitting.

L2880-131WS

*Needle Valve Assembly,
Deck Mounted*



Mounting: Deck mounted turret base with single valve. Furnished with 3/8" IPS mounting shank, locknut, and washer.

Valve Body: Forged brass with polished chrome plated finish.

Valve Unit: Globe valve design with glass-filled TFE valve disc and stem packing. Replaceable stainless steel seat.

Handle: Forged brass four-arm handle with color-coded index disc.

Outlet: 3/8" IPS female outlet with removable ten serration hose end.

ADDITIONAL MODELS

L2880-132SWS Same as above except with two valves at 180°.

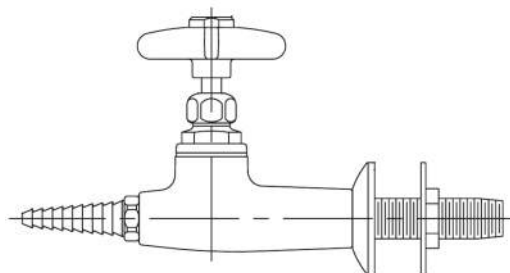
L2880-132AWS Same as above except with two valves at 90°.

L2880-133WS Same as above but with three valves at 90° apart.

L2880-134WS Same as above but with four valves.

L4880F-225WSA

*Needle Valve Assembly,
Panel Mounted*



Mounting: Panel mounted flange with single valve. Furnished with 3/8" IPS mounting shank, locknut, and washer.

Valve Body: Forged brass with polished chrome plated finish.

Valve Unit: Globe valve design with glass-filled TFE valve disc and stem packing. Replaceable stainless steel seat.

Handle: Forged brass four-arm handle with color-coded index disc

Outlet: 3/8" IPS female outlet with removable ten serration hose end.

ADDITIONAL MODEL

L2880-141WS Same as L4880F-225WSA but with two valves in wye fitting, shank supplied loose.

L4800FT-325 Wall mounted, same L4880F-225WSA but with female inlet for connection directly to supply.

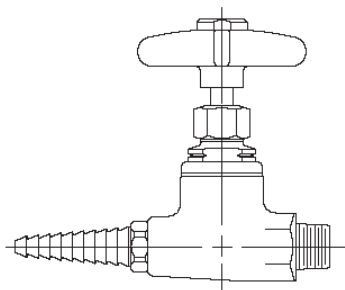
Note: All Needle Valve assemblies are furnished with mounting shank, locknut and washer (designated by "WS"). If mounting shank is to be assembled, use suffix "WSA"

Laboratory Accessories

Service Fixtures – Fine Control Needle Valves

L2870

*Fine Control Needle Valve,
Straight Pattern*



Application: Precise flow regulation of laboratory gases. Ideal for special gases such as nitrogen, helium and hydrogen. Valve is specially cleaned, lubricated and packaged for use with high purity gases.

Valve Body: Forged brass with polished chrome plated finish.

Valve Unit: Floating tapered stainless steel needle and replaceable stainless steel seat. Valve goes from closed to open in 8 revolutions of handle, providing precise flow regulation.

Handle: Forged brass four-arm handle with color-coded index disc.

Inlet: 3/8" IPS male inlet.

Outlet: 3/8" IPS female outlet with removable ten serration hose end.

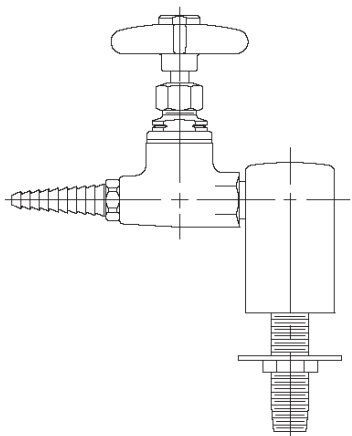
ADDITIONAL MODELS

L2872 Fine control needle valve with angled serrated hose end.

L2873 Fine control needle valve with quick connect fitting.

L2870-131WS

*Fine Control Needle Valve Assembly,
Deck Mounted*



Mounting: Deck mounted turret base with single valve. Furnished with 3/8" IPS mounting shank, locknut, and washer.

Valve Body: Forged brass with polished chrome plated finish.

Valve Unit: Floating tapered stainless steel needle and replaceable stainless steel seat. Valve goes from closed to open in 8 revolutions of handle, providing precise flow regulation.

Handle: Forged brass four-arm handle with color-coded index disc.

Outlet: 3/8" IPS female outlet with removable ten serration hose end.

ADDITIONAL MODELS

L2870-132SWS Same as above except with two valves at 180°.

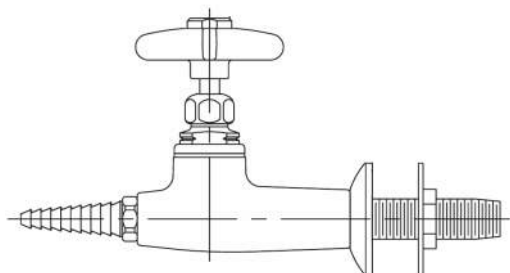
L2870-132AWS Same as above except with two valves at 90°.

L2870-133WS Same as above but with three valves at 90° apart.

L2870-134WS Same as above but with four valves.

L4870F-225WSA

*Fine Control Needle Valve Assembly,
Panel Mounted*



Mounting: Panel/overhead carrier mounted flange with single valve. Furnished with 3/8" IPS mounting shank, locknut, and washer.

Valve Body: Forged brass with polished chrome plated finish.

Valve Unit: Floating tapered stainless steel needle and replaceable stainless steel seat. Valve goes from closed to open in 8 revolutions of handle, providing precise flow regulation.

Handle: Forged brass four-arm handle with color-coded index disc.

Outlet: 3/8" IPS female outlet with removable ten serration hose end.

ADDITIONAL MODELS

L2870-141WS Same as L4870F-225WSA but with two valves in wye fitting, shank supplied loose.

L4870FT-325 Wall mounted, same L4870F-225WSA but with female inlet for connection directly to supply.

Note: All Fine Control Needle Valve assemblies are furnished with mounting shank, locknut and washer (designated by "WS"). If mounting shank is to be assembled, use suffix "WSA".

Laboratory Accessories

Service Fixtures - Electrical Fixtures




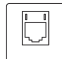






WaterSaver electrical boxes are UL-listed under standard UL514A, are machined for both standard and ground fault receptacles, and are furnished complete with grounding screws, 3/4" IPS mounting shank, locknut, and washer.

When *complete* assemblies are ordered, stainless steel face plates and receptacles are furnished. On wrinkle black and satin aluminum pedestal boxes, face plates are furnished with a satin (brushed) finish. On polished aluminum pedestal boxes, face plates are furnished with polished (bright) finish. Receptacles are black. Select finish from the following choices:

Wrinkle Black Epoxy: Cast aluminum boxes are powder coated with a wrinkle black epoxy coating. The coating has a matte finish which is abrasion and chemical resistant. (Standard finish)

Satin (Brushed) Aluminum: Cast aluminum boxes are polished to remove the rough cast surface. Boxes have an attractive brushed finish. (Add suffix "SA")

Polished (Bright) Aluminum: Cast aluminum boxes are polished and buffed to a chrome-like surface finish. Pedestal boxes thus have an appearance and finish to match the other service fixtures installed on the countertop. (Add suffix "PB")

ORDERING TABLE		Receptacles			
Specify Finish of Boxes: Standard Finish is Wrinkle Black Epoxy powder coat. SA = Satin Finish PB = Polished Finish		 -33 20 Amp, 125V Straight Blade (Duplex)	 -33GF 20 Amp, 125V Straight Blade Ground Fault (Duplex)	 -37 20 Amp, 250 V Straight Blade (Duplex)	 -61 Data Outlet (Cat 5 T568B Duplex Jacks)
Electric Boxes					
E300WS Single Gang, Single Face 	E333WS E333SA-WS E333PB-WS	E333GF-WS E333GF-SA-WS E333GF-PB-WS	E337WS E337SA-WS E337PB-WS	E361WS E361SA-WS E361PB-WS	
E400WS Single Gang, Double Face 	E433WS E433SA-WS E433PB-WS	E433GF-WS E433GF-SA-WS E433GF-PB-WS	E437WS E437SA-WS E437PB-WS	E461WS E461SA-WS E461PB-WS	
E500WS Double Gang, Single Face 	E533WS E533SA-WS E533PB-WS	E533GF-WS E533GF-SA-WS E533GF-PB-WS	E537WS E537SA-WS E537PB-WS	E561WS E561SA-WS E561PB-WS	
E600WS Double Gang, Double Face 	E633WS E633SA-WS E633PB-WS	E633GF-WS E633GF-SA-WS E633GF-PB-WS	E637WS E637SA-WS E637PB-WS	E661WS E661SA-WS E661PB-WS	
E2300 Single Gang, Flush Mount 	E2333SA E2333PB	E2333GF-SA E2333GF-PB	E2337SA E2337PB	E2361SA E2361PB	
E2500 Double Gang, Flush Mount 	E2533SA E2533PB	E2533GF-SA E2533GF-PB	E2537SA E2537PB	E2561SA E2561PB	

Laboratory Accessories

Service Fixtures - Accessories and Components

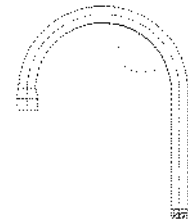
GOOSENECKS

WaterSaver goosenecks are fabricated of 3/8" IPS heavy wall brass tubing for maximum strength and durability. Rigid goosenecks have a 3/8" IPS male inlet to thread directly into the top of the faucet body. Swing goosenecks have a Teflon packing with an adjustable packing nut. The packing nut has a 1"-22 thread to fit into faucet bodies machined with a mating female thread. Rigid/swing goosenecks have a union-style construction for field conversion from rigid to swing and vice versa.

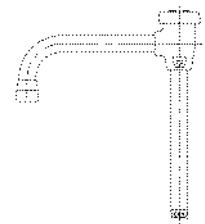
Goosenecks are offered with integral vacuum breakers to prevent backflow. Vacuum breakers have an ultra-light float cup to prevent spillage under extreme low flow conditions.

- RG6** 6" rigid gooseneck.
- RG8** 8" rigid gooseneck.
- RG9** 9" rigid gooseneck.
- RG10** 10" rigid gooseneck.
- RG12** 12" rigid gooseneck.
- SG6** 6" swing gooseneck.
- SG8** 8" swing gooseneck.
- SG9** 9" swing gooseneck.
- SG10** 10" swing gooseneck.
- SG12** 12" swing gooseneck.
- RS6** 6" rigid/swing gooseneck.
- RS8** 8" rigid/swing gooseneck.
- RS9** 9" rigid/swing gooseneck.
- RS10** 10" rigid/swing gooseneck.
- RS12** 12" rigid/swing gooseneck.

- RG6VB** 6" rigid vacuum breaker gooseneck.
- RG8VB** 8" rigid vacuum breaker gooseneck.
- RG9VB** 9" rigid vacuum breaker gooseneck.
- RG10VB** 10" rigid vacuum breaker gooseneck.
- RG12VB** 12" rigid vacuum breaker gooseneck.
- SG6VB** 6" swing vacuum breaker gooseneck.
- SG8VB** 8" swing vacuum breaker gooseneck.
- SG9VB** 9" swing vacuum breaker gooseneck.
- SG10VB** 10" swing vacuum breaker gooseneck.
- SG12VB** 12" swing vacuum breaker gooseneck.
- RS6VB** 6" rigid/swing vacuum breaker gooseneck.
- RS8VB** 8" rigid/swing vacuum breaker gooseneck.
- RS9VB** 9" rigid/swing vacuum breaker gooseneck.
- RS10VB** 10" rigid/swing vacuum breaker gooseneck.
- RS12VB** 12" rigid/swing vacuum breaker gooseneck.

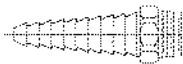


Gooseneck

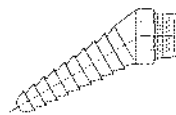


Vacuum Breaker Gooseneck

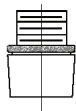
OUTLET FITTINGS



- BO140S** Straight ten serration hose end. 3/8" IPS male inlet.
- BO140T** Same as above except with 3/8" NPT male inlet.



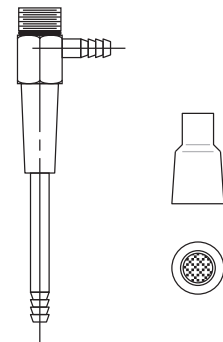
- BO142** Angle ten serration hose end. 3/8" NPT male inlet.
- BO142-1/4** Same as above except with 1/4" NPT male inlet.



- BO055** Aerator. 3/8" IPS male inlet.
- BO055FC** Same as above except internal flow control. Specify flow rate in GPM when ordering.



- BO188** Quick connect fitting. 3/8" IPS male inlet, 1/4" IPS male outlet.
- BO189** Same as above except with 1/4" IPS male inlet.



- BO127S** Aspirator. 3/8" IPS male inlet.
- BO125** Splash eliminator for use with BO127S aspirator.

Laboratory Accessories

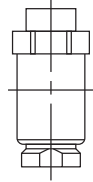
Service Fixtures - Accessories and Components

VACUUM BREAKERS

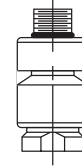


L100 Atmospheric vacuum breaker. 3/8" IPS female inlet and outlet.

L101 Same as above except with 1/2" IPS female inlet and outlet.



L108 Dual check backflow preventer. For continuous pressure applications. 3/8" IPS female inlet and outlet.



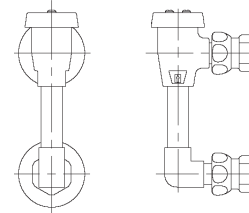
L110 Dual check vacuum breaker. 3/8" IPS male inlet, 3/8" IPS female outlet.

L102 Atmospheric vacuum breaker for panel or wall mounting. 1/2" IPS female inlet and outlet.

L102WSA Same as above except with mounting shanks, locknuts and washers.

L112 Atmospheric vacuum breaker for panel or wall mounting. 3/8" IPS female inlet and outlet.

L112WSA Same as above except with mounting shanks, locknuts and washers.



MOUNTING FITTINGS

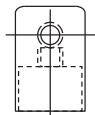
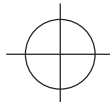
BI131 Deck mounted turret base. 3/8" IPS female inlet, single 3/8" IPS female outlet.

BI132A Same as above except with two outlets at 90 degrees.

BI132S Same as above except with two outlets at 180 degrees.

BI133 Same as above except with three outlets.

BI134 Same as above except with four outlets.



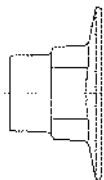
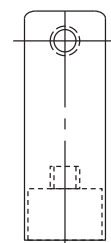
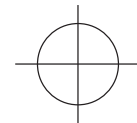
BI176 Deck mounted tall turret base. 3/8" IPS female inlet, single 3/8" IPS female outlet.

BI176-2A Same as above except with two outlets at 90 degrees.

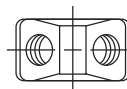
BI176-2S Same as above except with two outlets at 180 degrees.

BI176-3 Same as above except with three outlets.

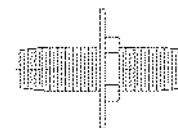
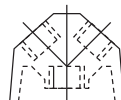
BI176-4 Same as above except with four outlets.



BI158 Panel mounted flange. 3/8" IPS female inlet and outlet.



BI141 Panel mounted wye fitting. 3/8" IPS female inlet, two 3/8" IPS female outlets at 90 degrees.



BI136-02-08R Mounting shank with locknut and washer. 3/8" IPS x 2 1/2"L.

BI136-03-08R Same as above except 3 1/2"L.

BI136-04R Same as above except 4"L.

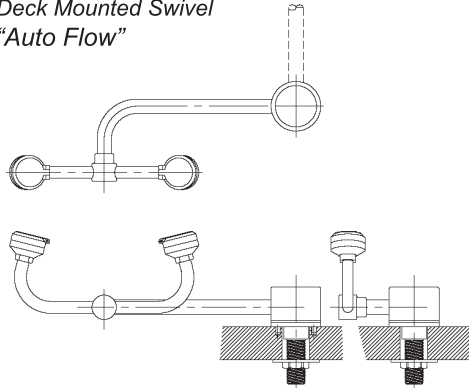
BI136-06R Same as above except 6"L.

Laboratory Accessories

Safety Equipment - Eyewashes

EW805

Deck Mounted Swivel
"Auto Flow"



Spray Head Assembly: Two GS-Plus spray heads. Each head has a "flip top" dust cover, internal flow control and filter to remove impurities from the water flow.

Valve: 1/2" IPS brass stay-open ball valve mechanically linked to outlet head assembly. Swinging head assembly 90 degrees from storage to operational position activates water flow. Unit remains in operation until head assembly is returned to storage position.

Mounting: Unit mounts on countertop on right hand side of sink. Furnished with 1/2" IPS mounting shank with locknut and washer.

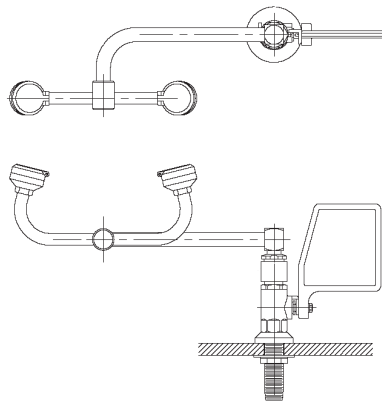
Supply: 1/2" IPS female inlet.

ADDITIONAL MODEL

EW805LH Same as above except unit mounts on left side of sink.

EW806

Deck Mounted Swivel



Spray Head Assembly: Two GS-Plus spray heads. Each head has a "flip top" dust cover, internal flow control and filter to remove impurities from the water flow.

Valve: 1/2" IPS brass stay-open ball valve with flag handle.

Mounting: Unit mounts on countertop on right hand side of sink. Outlet heads swivel 90 degrees from storage to operational position. Furnished with 1/2" IPS mounting shank with locknut and washer.

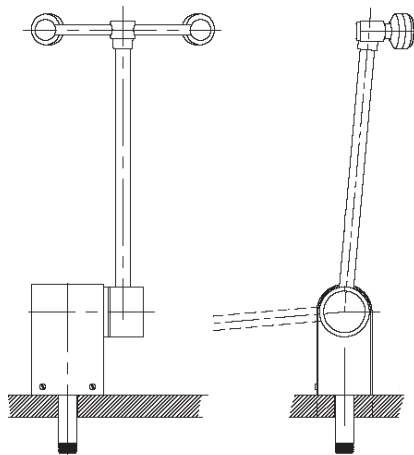
Supply: 1/2" IPS female inlet.

ADDITIONAL MODEL

EW806LH Same as above except unit mounts on left side of sink.

EW849

Deck Mounted Swing-Down
"Auto Flow"



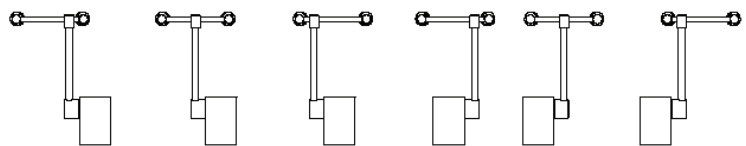
Spray Head Assembly: Two GS-Plus spray heads. Each head has a "flip top" dust cover, internal flow control and filter to remove impurities from the water flow.

Valve: 1/2" IPS brass stay-open ball valve mechanically linked to outlet head assembly. Swinging head assembly down 100 degrees from vertical to horizontal position activates water flow. Unit remains in operation until head assembly is returned to vertical position.

Mounting: Unit mounts on countertop on behind sink. Furnished with all hardware necessary for mounting to countertop.

Supply: 1/2" IPS male inlet.

Configurations



EW849LH-L

EW849LH

EW849LH-R

EW849L

EW849

EW849R

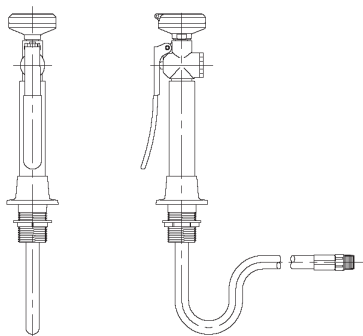
Note: All units supplied with ANSI compliant identification sign.

Laboratory Accessories

Safety Equipment – Eyewashes/Drench Hose Units

EW1020

Drench Hose, Deck Mounted



Spray Head Assembly: Single FS-Plus spray head. Spray head has “flip top” dust cover, internal flow control and filter to remove impurities from the water flow.

Valve: Forged brass squeeze valve activated by stainless steel lever handle. Valve closes when handle is released.

Hose: 8’ reinforced PVC hose. 300 PSI maximum rated working pressure.

Mounting: Nylon deck flange for countertop mounting.

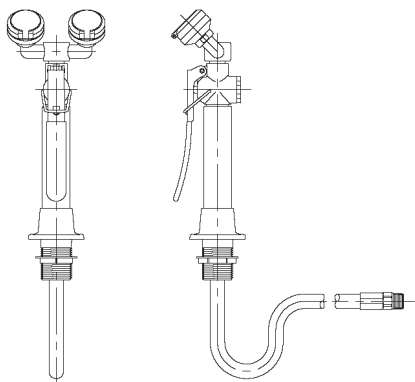
Supply: 3/8” IPS male swivel-type inlet.

ADDITIONAL MODEL

EW1025 Same as above except wall mounted with bracket.

EW1022

Drench Hose, Deck Mounted



Spray Head Assembly: Two GS-Plus spray heads mounted side-by-side. Each spray head has “flip top” dust cover, internal flow control and filter to remove impurities from the water flow.

Valve: Forged brass squeeze valve activated by stainless steel lever handle. Valve has locking clip which engages when handle is depressed, providing “hands free” operation. Valve stays open until locking clip is released.

Hose: 8’ reinforced PVC hose. 300 PSI maximum rated working pressure.

Mounting: Nylon deck flange for countertop mounting. Flange has handle locator guides to assure that spray heads and handle face forward at all times.

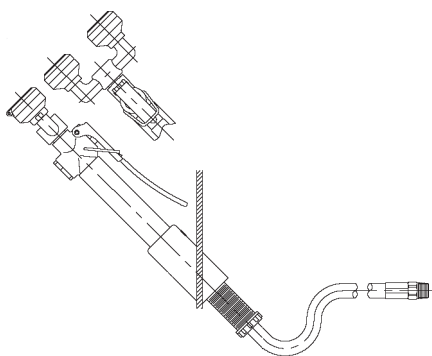
Supply: 3/8” IPS male swivel-type inlet.

ADDITIONAL MODEL

EW1026 Same as above except wall mounted with bracket.

EW1041

Drench Hose, Panel Mounted



Spray Head Assembly: Two GS-Plus spray heads mounted side-by-side. Each spray head has “flip top” dust cover, internal flow control and filter to remove impurities from the water flow.

Valve: Forged brass squeeze valve activated by stainless steel lever handle. Valve has locking clip which engages when handle is depressed, providing “hands free” operation. Valve stays open until locking clip is released.

Hose: 8’ reinforced PVC hose. 300 PSI maximum rated working pressure.

Mounting: Angle flange for 45 degree panel mounting. Flange has handle locator guides to assure that spray heads and handle face forward at all times.

Supply: 3/8” IPS male swivel-type inlet.

OPTIONS for Eyewash/Drench Hose Units *Add Suffix to Model Number:*

BP Backslow preventer for installation on inlet of hose.

FSH 8 ft. flexible stainless steel hose in place of PVC.

VB In-line vacuum breaker for installation between valve and spray head.

DC Stainless steel dust cover for each outlet head.

HG Undercounter hose guide bracket to prevent hose from tangling or binding.

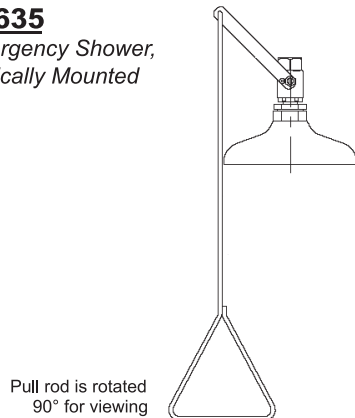
Note: All units supplied with ANSI compliant identification sign.

Laboratory Accessories

Safety Equipment – Emergency Showers

ES635

*Emergency Shower,
Vertically Mounted*



Shower Head: 10" diameter safety orange ABS plastic.

Valve: 1" IPS chrome plated brass stay-open ball valve. Furnished with stainless steel actuating arm and 29" stainless steel pull rod.

Supply: 1" IPS female inlet.

Note: Not to used in ceilings over 8' high. Use model ES658 instead.

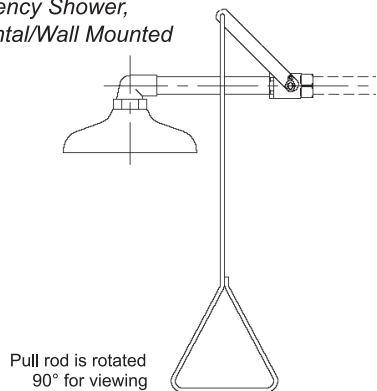
ADDITIONAL MODELS

ESBF635 Same as above except with dimensions to comply with ADA requirements for accessibility.

ES692 Same as ES635 except with all stainless steel construction.

ES643

*Emergency Shower,
Horizontal/Wall Mounted*



Shower Head: 10" diameter safety orange ABS plastic.

Valve: 1" IPS chrome plated brass stay-open ball valve. Furnished with stainless steel actuating arm and 29" stainless steel pull rod.

Pipe and Fittings: 1" IPS galvanized steel nipple with orange ABS plastic elbow.

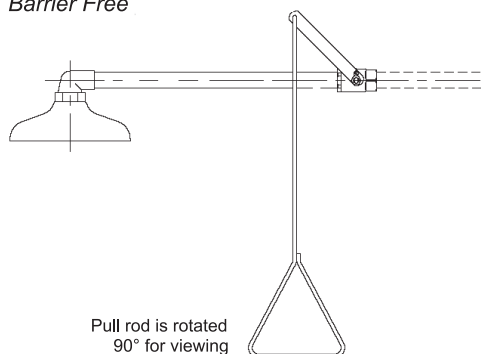
Supply: 1" IPS female inlet

ADDITIONAL MODELS

ES691 Same as ES643 except with all stainless steel construction.

ESBF643

*Emergency Shower,
Horizontal/Wall Mounted
Barrier Free*



Installation: Barrier free emergency shower. When installed at recommended mounting height, unit complies with ADA requirements for accessibility by handicapped persons.

Shower Head: 10" diameter safety orange ABS plastic.

Valve: 1" IPS chrome plated brass stay-open ball valve. Furnished with stainless steel actuating arm and 85" stainless steel pull rod.

Pipe and Fittings: 1" IPS galvanized steel nipple with orange ABS plastic elbow.

Supply: 1" IPS female inlet

ADDITIONAL MODELS

ESBF643PCC Same as above except with all polished chrome plated brass construction.



ADA Compliant

OPTIONS for Emergency Showers

Add Suffix to Model Number:

GRN Safety green ABS plastic shower head

YEL Safety yellow ABS plastic shower head

PCH Polished chrome plated cast brass shower head

SSH Stainless steel shower head

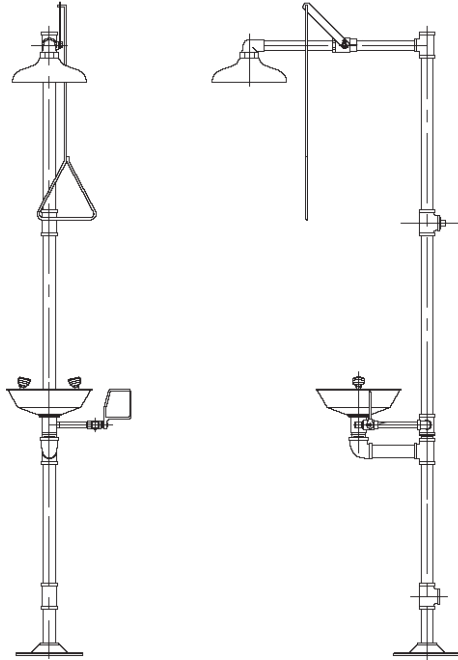
Note: All units supplied with ANSI compliant identification sign.

Laboratory Accessories

Safety Equipment – Safety Station

SS902

Safety Station



Shower Head: 10" diameter safety orange ABS plastic.

Shower Valve: 1" IPS brass stay-open ball valve with stainless steel actuating arm and stainless steel pull rod.

Spray Head Assembly: Two GS-Plus spray heads. Each spray head has "flip top" dust cover, internal flow control and filter to remove impurities from water.

Bowl: 11-1/2" stainless steel.

Eye Wash Valve: 1/2" IPS brass stay-open ball valve with flag handle.

Pipe and Fittings: Schedule 40 galvanized steel with orange polyethylene covers for high visibility and corrosion resistance.

Supply: 1-1/4" IPS female top inlet.

Waste: 1-1/4" IPS female outlet.

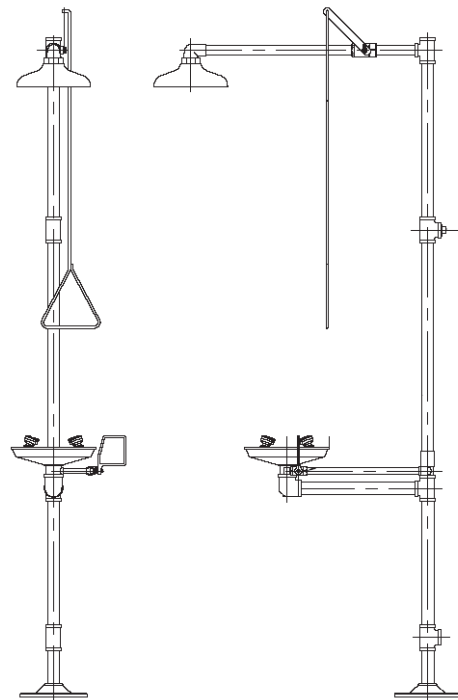
ADDITIONAL MODELS

SS902P Same as above except with orange ABS plastic bowl.

SS991 Same as SS902 except with all stainless steel construction.

SSBF909

Safety Station, Barrier Free



Installation: Unit complies with ADA requirements for accessibility by handicapped persons.

Shower Head: 10" diameter safety orange ABS plastic.

Shower Valve: 1" IPS brass stay-open ball valve with stainless steel actuating arm and stainless steel pull rod.

Spray Head Assembly: Four GS-Plus spray heads. Each spray head has "flip top" dust cover, internal flow control and filter to remove impurities from water.

Bowl: 11-1/2" stainless steel.

Eye Wash Valve: 1/2" IPS brass stay-open ball valve with flag handle.

Pipe and Fittings: Schedule 40 galvanized steel with orange polyethylene covers for high visibility and corrosion resistance.

Supply: 1-1/4" IPS female top inlet.

Waste: 1-1/4" IPS female outlet.

ADDITIONAL MODELS

SSBF909PCC Same as above except with all polished chrome plated brass construction.

SSBF994 Same as SSBF909 except with all stainless steel construction.



Note: All units supplied with ANSI compliant identification sign.

Laboratory Accessories

ColorTech Fixtures & Safety Equipment

ColorTech fixtures are furnished with a powder coated finish to enhance the appearance of the fitting and to protect against corrosion. Unlike competing brands, ColorTech fixtures may be ordered in any one of five standard finish colors. This range of colors assures that the lab fittings will enhance the design scheme and aesthetics of the lab environment.

The coating materials used for ColorTech finishes are specially formulated for use on these products. In general, coating materials are blends of epoxy and polyurethane powders. These hybrid blends assure that the finished coating will have an optimum combination of chemical resistance, mar and abrasion resistance, and resistance to fading under ultraviolet (UV) light.

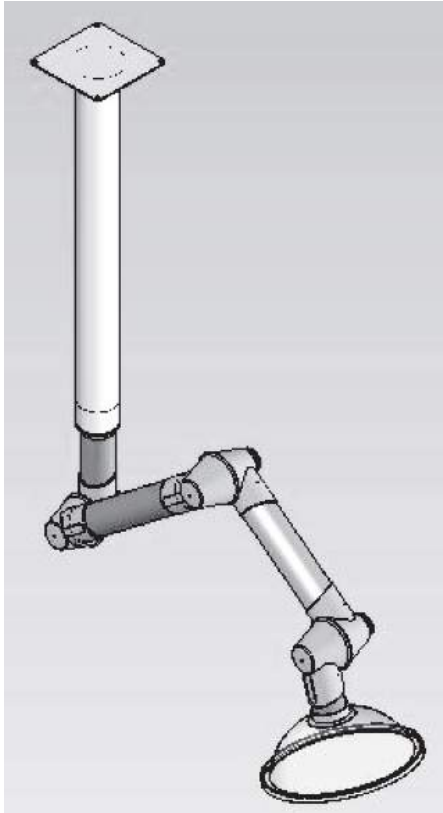
*The ColorTech line of fixtures is too extensive to include in this catalog.
For more information on the ColorTech line, please contact **LAB DESIGN**.*



Laboratory Equipment

Local Extractor (Snorkel) – MOVEX® TERFU

TERFU



Ceiling Mounted Extractor with Opaque Dome Hood

TERFU is a local extractor with articulating friction joints designed for use in workplaces where great flexibility is required such as laboratories, production environments and lighter industrial applications.

The articulating joints have a large frictional diameter and are supported with ball bearings. The degree of friction is easily adjusted with a one hand operation on the large knob located at each joint. All arms are equipped with an air tight damper and a 360° rotational swivel while mounted in place.

Terfu is available in four versions:

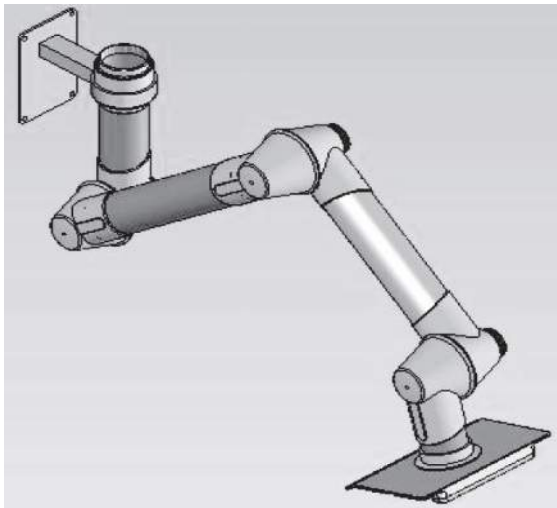
- Standard version: Suitable for evacuation of most type of airborne contaminants.
- PP (Polypropylene) version: Most suitable for evacuation of highly corrosive contaminants in high concentrations.
- ESD version: For ESD environments, type approved to EN100015-1.
- ATEX version: For ATEX classed environments, as in directive 94/9/EC category 2, for gasses and dust.

Terfu is available in 2, 3, and 4" diameter. All sizes are suitable for table mounting, ceiling mounting, and wall mounting. The ceiling and wall mounted arms are interchangeable with mounting brackets constructed of a square anodized aluminum profile for good stability and appealing finish.

The Ø2 inch and Ø3 inch diameter use the same brackets, while the Ø4 inch diameter has its own selection of brackets. All ceiling brackets are available in eight standard lengths up to 80 inches. Special orders for longer lengths are available. To complete the installation, an escutcheon plate is used to cover cut holes in the finished ceiling.

There are six interchangeable hoods for the Terfu 2 and 3 inch arms and four hoods for the Terfu 4 inch. Acceptable airflow is 30 to 270 cfm.

Contact **LAB DESIGN for more information and pricing*



Wall Mounted Extractor with Opaque Flat Screen Hood

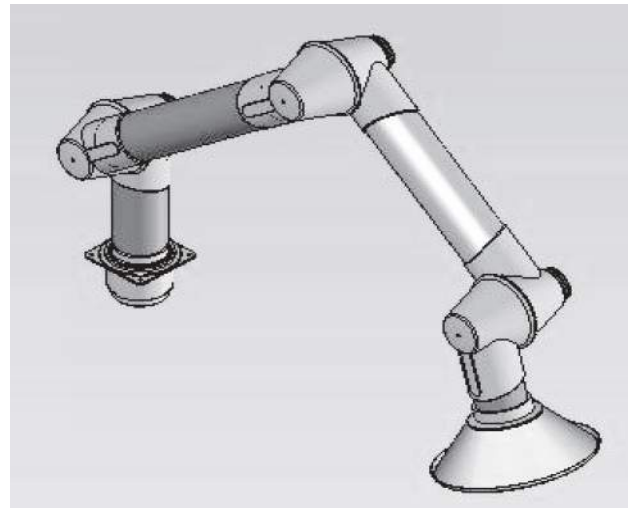


Table Mounted Extractor with Metal [Aluminum] Hood

Laboratory Equipment

Local Extracotr (Snorkel) – MOVEX® TEX-AA

TEX-AA

Telescopic local extractor for extraction of fumes from atomic absorption processes

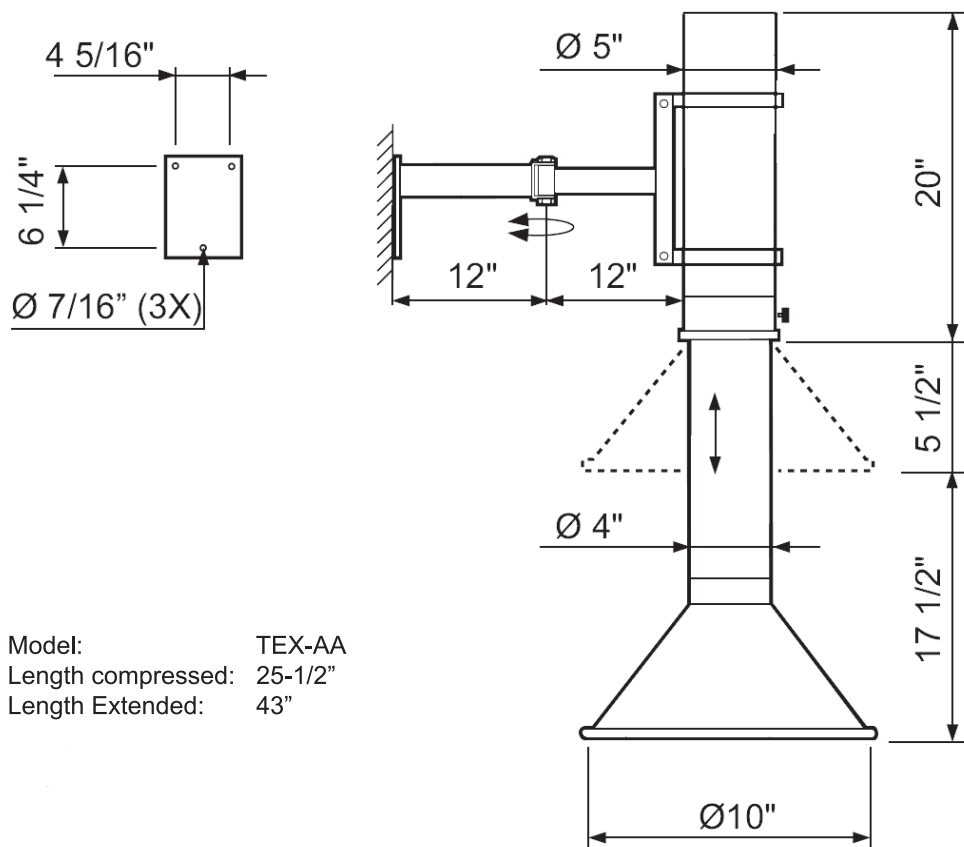
The Tex-AA is specifically designed to take care of polluted air at a high temperature, e.g. from an atomic absorption unit. The hood and all components that risks to come in contact with the flame are made from 316 L stainless steel and the sliding lining is made from PTFE temperature resistant to 570°F.

TEX-AA extractor is designed for wall or ceiling installation and has 180° swing motion and 17" telescopic function.

The extractor is made in stainless steel 316 L with white powder coated mild steel supporting brackets.

The telescoping movement is created by two sliding rings made of Teflon for heat resistance and a locking device to assure that the hood stays in the intended vertical position.

**Contact LAB DESIGN for more information and pricing*



Laboratory Equipment

Labconco Corporation

Lab Design also offers a complete line of fume hoods, safety enclosures, and equipment by **Labconco Corporation** including:

- ✓ Chemical Fume Hoods and Enclosures (Including Fiberglass Lined Hoods, Low-Flow HP Hoods, Student Work Stations & Demonstration Hoods)
- ✓ Ductless Fume Hoods
- ✓ Bio-Safety Cabinets and Clean Benches
- ✓ Carbon Filtered Enclosures
- ✓ Ventilation Work Stations
- ✓ Glassware Washers
- ✓ Water Purification Systems
- ✓ Animal Research Stations
- ✓ Base Cabinets and Stands
- ✓ Exhaust Blowers
- ✓ Carts and Benches

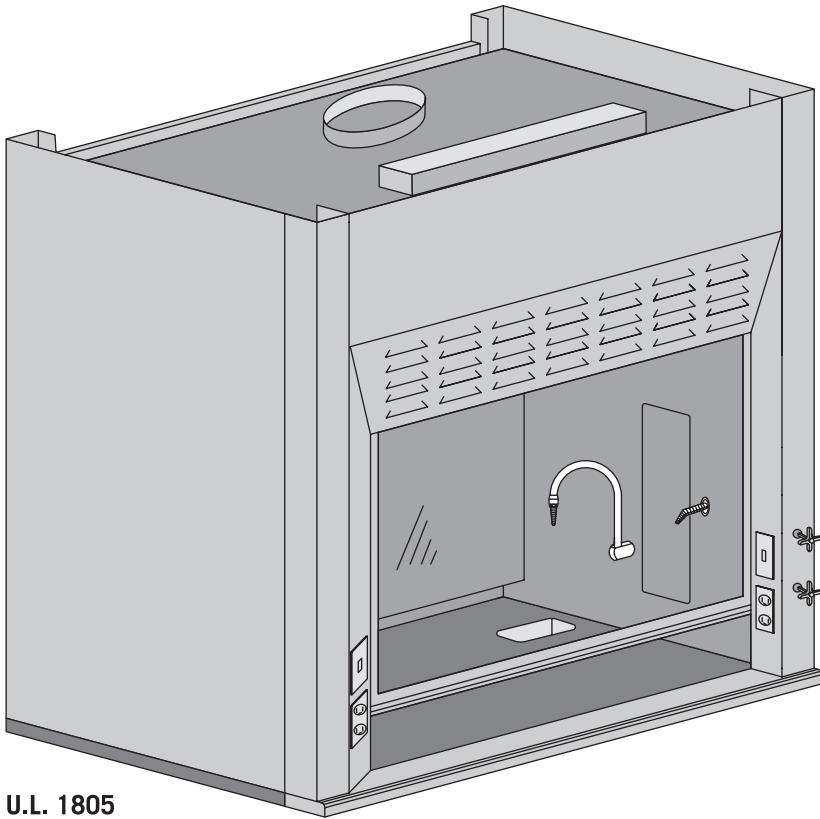


The LABCONCO product line is too extensive to include in this catalog. For complete product information, please contact LAB DESIGN.





Fume Hood Product Catalog



**U.L. 1805
Classified**

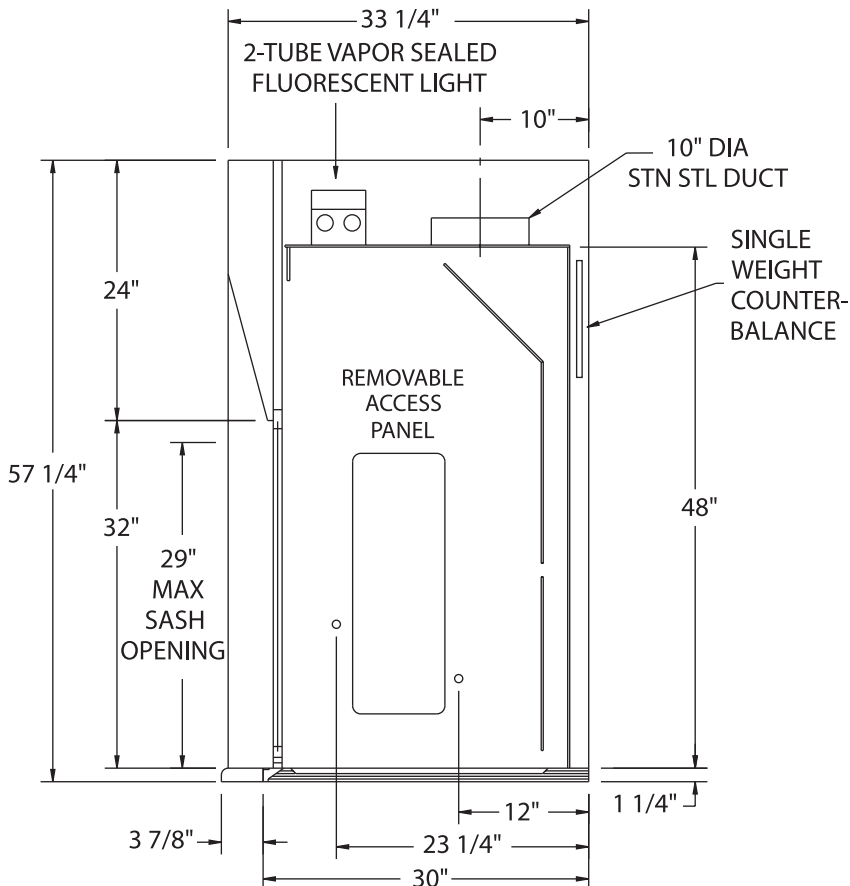
Minimized Turbulence, Increased Performance

The EH-100 series airfoil-type fume hood features a 45-degree angle around the fascia and a flush-mount radiused airfoil across the bottom, which results in minimized turbulence and increased performance.

Like the exterior of the hood, the airfoil is made from chemical-resistant, powder-coated, 16-gauge cold rolled steel. A stainless steel airfoil is available as an option.

Posts are 5" (127 mm) wide.

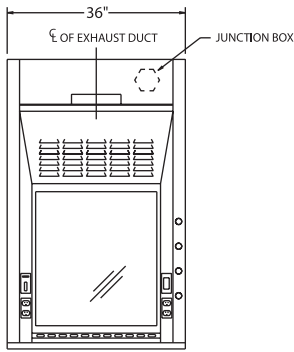
Five standard sizes offer design flexibility, or we'll customize to your specific needs.



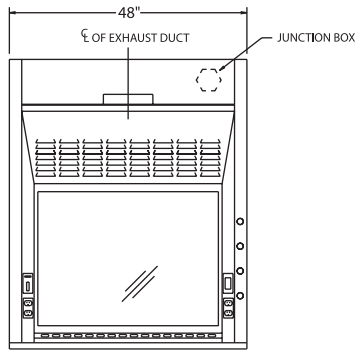
EH-100 Standard Features

- Powder Coat Finish
- Full Frame Construction
- Shaft Drive Sash
- U.L. Listed Poly Resin Liner
- T-8 Fluorescent Light with bulbs
- Flush-Mount Airfoil
- Knock Down Capability
- Interior Access to Light
- Full-Length Finger Lift
- Louvered Front for By-Pass
- 10" Round S/S Duct Collar

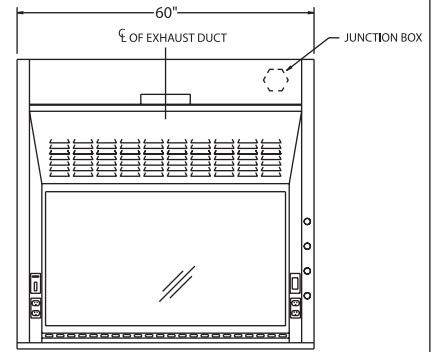
The Eliminator 100 SERIES: Airfoil Fume Hood



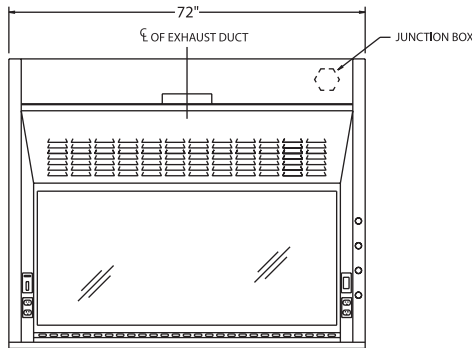
EH-111-36



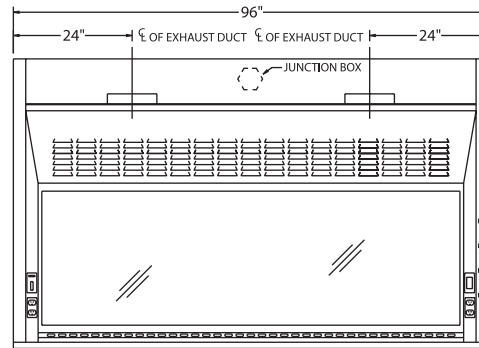
EH-111-48



EH-111-60



EH-111-72



EH-111-96

Part Number	Superstructure			Worktop			Hood Opening		CFM @ 29"*	CFM @ 18"*	SP	Blower Model #	Shipping Weight
	W	H	D	W	H	D	W	H					
EH-111-36	36"	56"	33-1/4"	36"	1-1/4"	30"	26"	29"	567	354	.25	BL-100-36	190
EH-111-48	48"	56"	33-1/4"	48"	1-1/4"	30"	38"	29"	833	521	.25	BL-100-48	200
EH-111-60	60"	56"	33-1/4"	60"	1-1/4"	30"	50"	29"	1100	688	.34	BL-100-60	225
EH-111-72	72"	56"	33-1/4"	72"	1-1/4"	30"	62"	29"	1367	854	.34	BL-100-72	270
EH-111-96	96"	56"	33-1/4"	96"	1-1/4"	30"	86"	29"	1900	1188	.40	BL-100-96	300

*Height of open sash; CFM calculated at 100 FPM

EH-100 Optional Accessories

ITEM	AMS PT#
Ceiling Enclosures	CE
Plumbing Accessories	
Electrical Accessories	
Epoxy Tops	ET
Alarms	ALARM
Base Cabinets	BC
Blowers	BL
Pre-Plumbing	PREP
Pre-Wiring	PREW

ITEM	AMS PT#
Sash Stops	SASHSTOP
Chain and Sprocket Drive	CHNSPK
Stainless Steel Sash	SS SASH
Stainless Steel Airfoil	SS AF
Push Button Sash	PUSH BUTTON
Combination Sash	H&V
Automatic Sash Return	AUTO RETURN
Lattice Assembly	LATTICE
LED Lights	LED

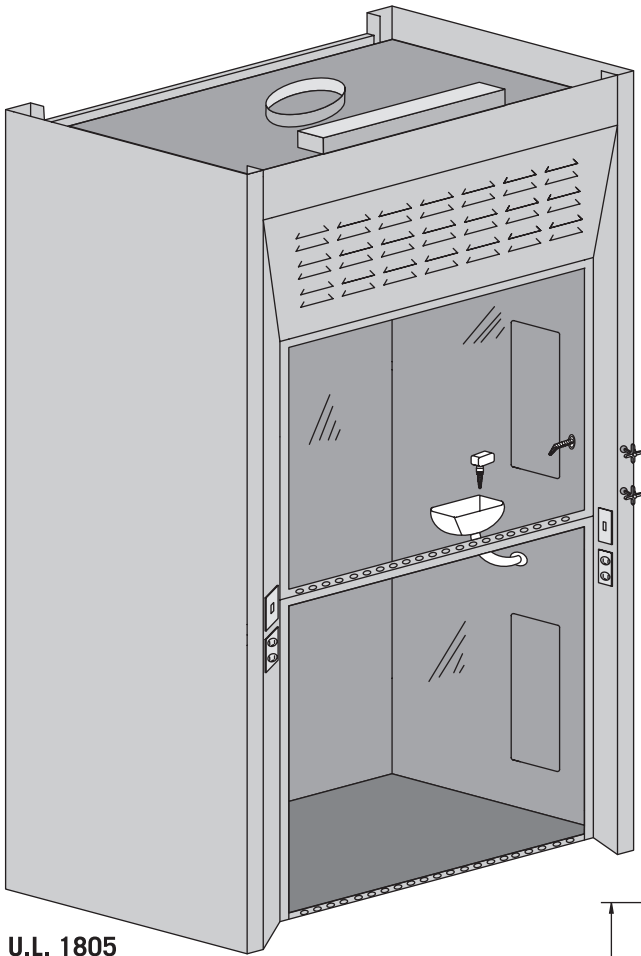
Laboratory Equipment

Air Master Systems Fume Hoods - Eliminator 400 Series: Walk-In

For Those Tall Experiments

The Eliminator 400 series, with a double-hung sash configuration and 72" high opening, is designed to accommodate a large-apparatus application, up to 85" in height. Posts are 5" (127 mm) wide.

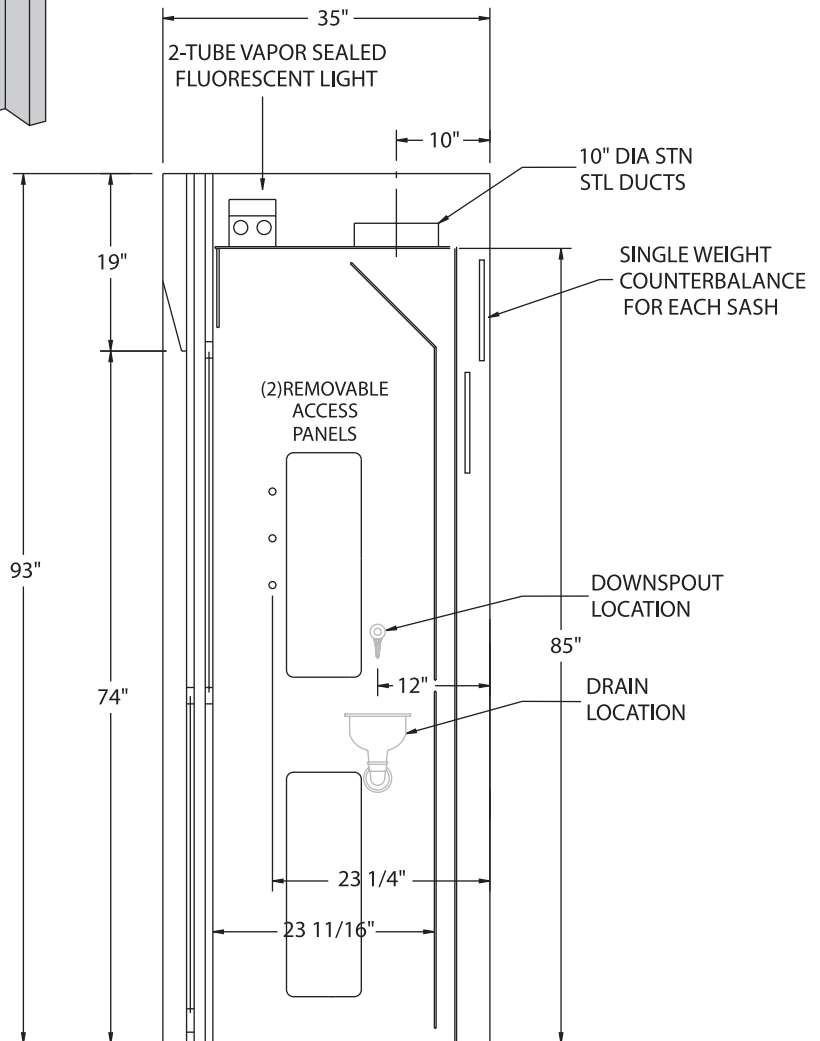
And with the AMS exclusive knock-down ability, even a hood this big is a breeze to install, maintain, repair and move.



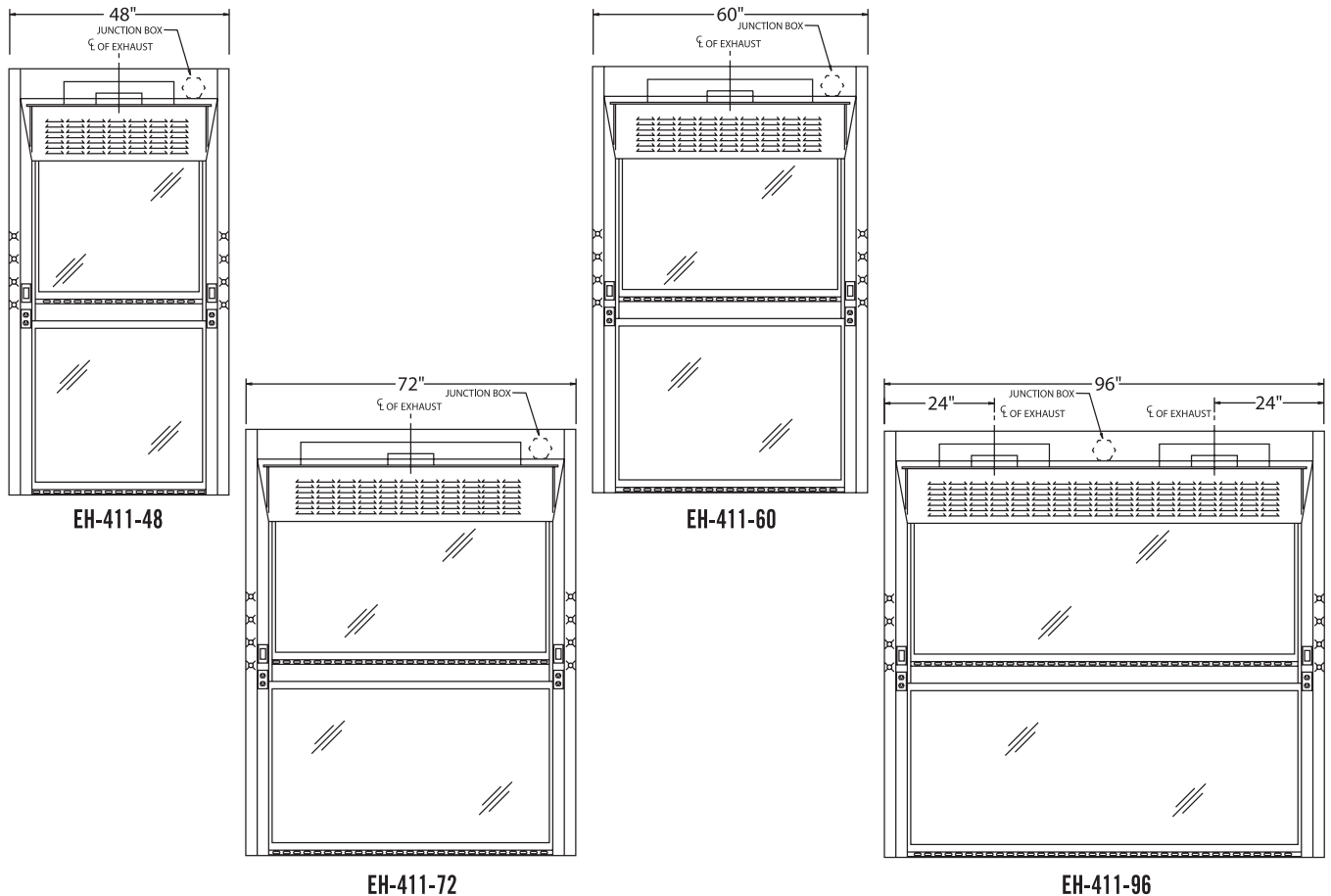
U.L. 1805
Classified

EH-400 Standard Features

- Powder Coat Finish
- Full Frame Construction
- Shaft Drive Sash
- U.L. Listed Poly Resin Liner
- T-8 Fluorescent Light with bulbs
- Knock Down Capability
- Interior Access to Light
- Full-Length Finger Lift
- Louvered Front for By-Pass



The *Eliminator* 400 SERIES: Walk-In Hood



Part Number	Superstructure			Hood Opening		CFM @ 36"*	CFM @ 72"*	SP	Blower Model #	Approx. Shipping Weight
	W	H	D	W	H					
EH-411-48	48"	93"	35"	38"	72"	990	1979	.25	BL-400-48	200
EH-411-60	60"	93"	35"	50"	72"	1306	2613	.34	BL-400-60	225
EH-411-72	72"	93"	35"	62"	72"	1623	3246	.34	BL-400-72	270
EH-411-96	96"	93"	35"	86"	72"	2256	4513	.34	BL-400-96	300

*Height of open sash; CFM calculated at 100 FPM

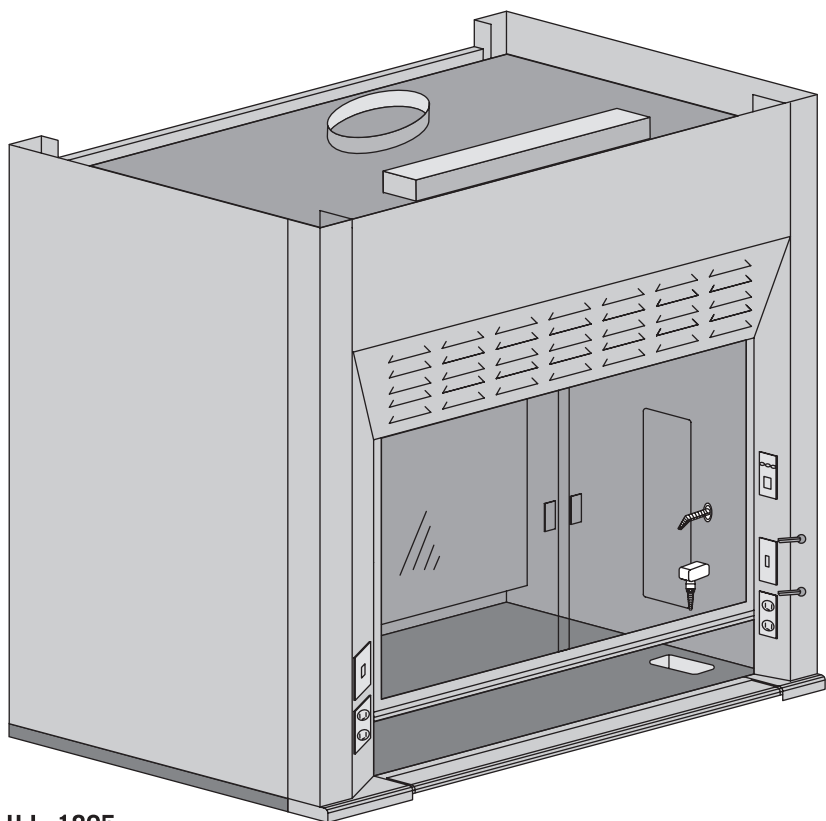
EH-400 Optional Accessories

ITEM	AMS PT#
Ceiling Enclosures	CE
Plumbing Accessories	
Electrical Accessories	
Alarms	ALARM
Blowers	BL
Pre-Plumbing	PREP
Pre-Wiring	PREW

ITEM	AMS PT#
Sash Stops	SASHSTOP
Chain and Sprocket Drive	CHNSPK
Stainless Steel Sash	SS SASH
Push Button Sash	PUSH BUTTON
Combination Sash	H&V
Lattice Assembly	LATTICE
LED Lights	LED

Laboratory Equipment

Air Master Systems Fume Hoods - Eliminator 500 Series: ADA



U.L. 1805
Classified

Meets ADA Dimensional Guidelines

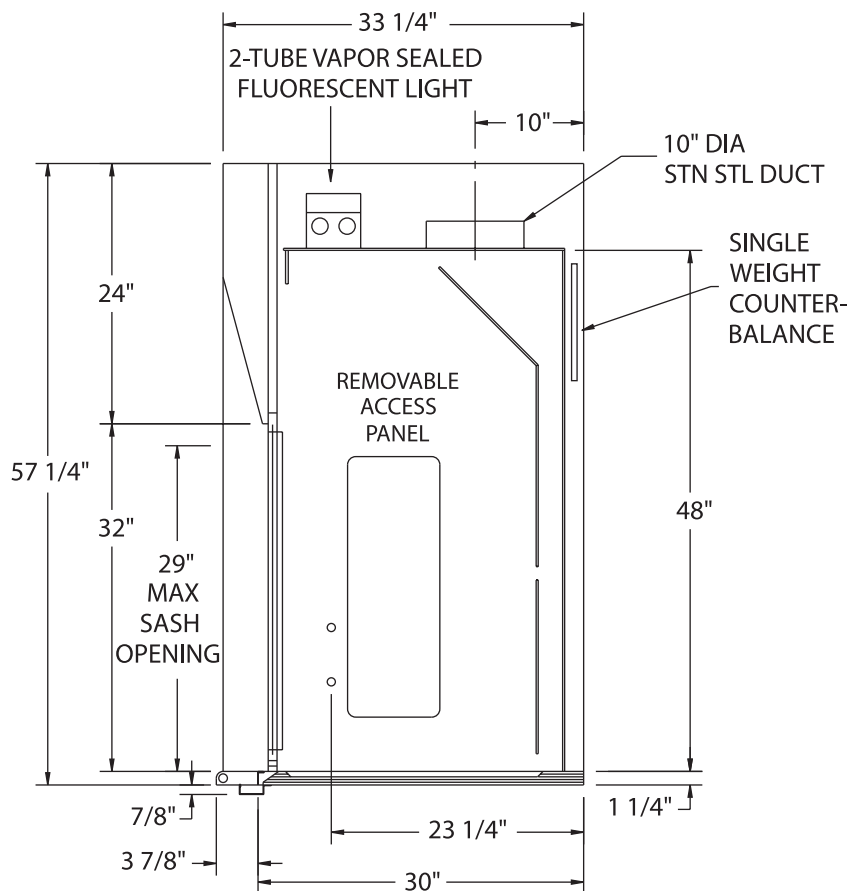
The Eliminator 500 series is an airfoil-type fume hood designed to meet ADA dimensional guidelines.

A 45-degree angle around the fascia and a flush-mount radiused airfoil across the bottom result in minimized turbulence and increased performance.

The ADA hood's airfoil flips back out of the way for cleanup. Under the airfoil is a containment trough to capture accidental spills that may flow over the dished work surface. The trough assembly is fabricated from chemical-resistant 16-gauge cold rolled steel.

A combination vertical and horizontal sash is standard on the EH-500.

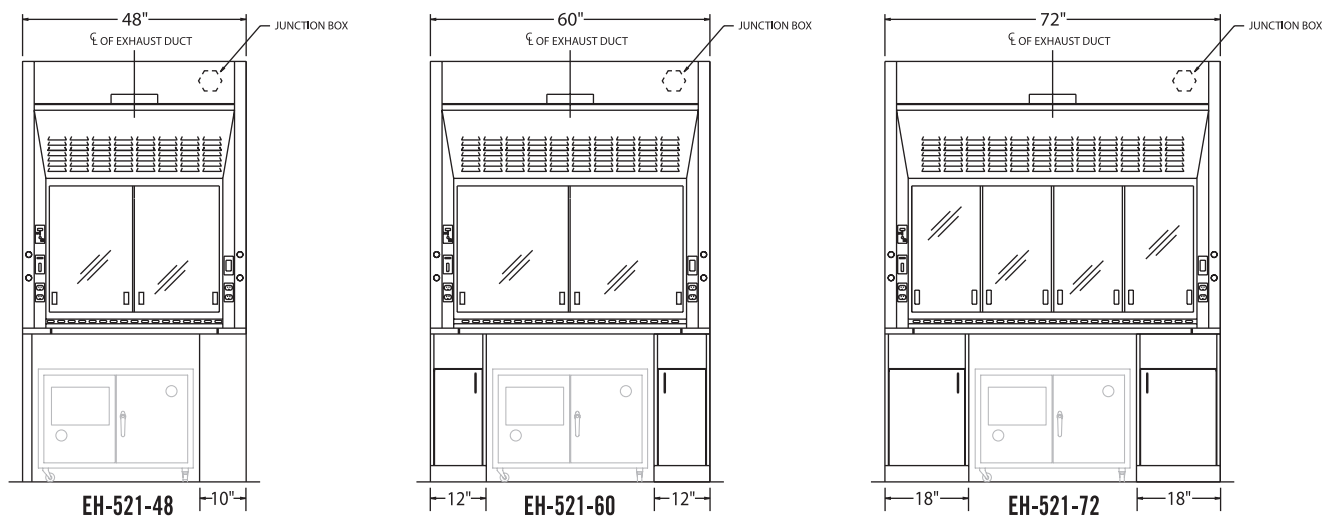
ADA kneespace-configured base cabinets, pictured at right, are available. See page 33 for cabinet options.



EH-500 Standard Features

- Powder Coat Finish
- Full Frame Construction
- Shaft Drive Sash
- U.L. Listed Poly Resin Liner
- T-8 Fluorescent Light with bulbs
- Flush-Mount Airfoil
- Knock Down Capability
- Interior Access to Light
- Full-Length Finger Lift
- Louvered Front for By-Pass
- Painted Steel Trough Assembly
- Airflow Alarm
- Sash Stop
- Combination Sash
- 1/4 Turn Ball Valves

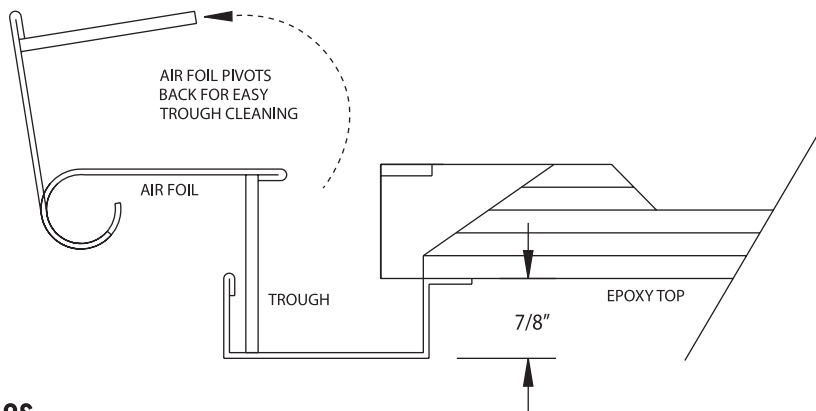
The Eliminator 500 SERIES: ADA Design



Base frames and cabinets sold separately. See page 33.

Part Number	Superstructure			Worktop			Hood Opening		CFM @ 29"*	CFM @ 18"*	SP	Blower Model #	Shipping Weight
	W	H	D	W	H	D	W	H					
EH-521-48	48"	56"	33-1/4"	48"	1-1/4"	30"	38"	29"	833	521	.25	BL-500-48	200
EH-521-60	60"	56"	33-1/4"	60"	1-1/4"	30"	50"	29"	1100	688	.34	BL-500-60	225
EH-521-72	72"	56"	33-1/4"	72"	1-1/4"	30"	62"	29"	1367	854	.34	BL-500-72	270

*Height of open sash; CFM calculated at 100 FPM

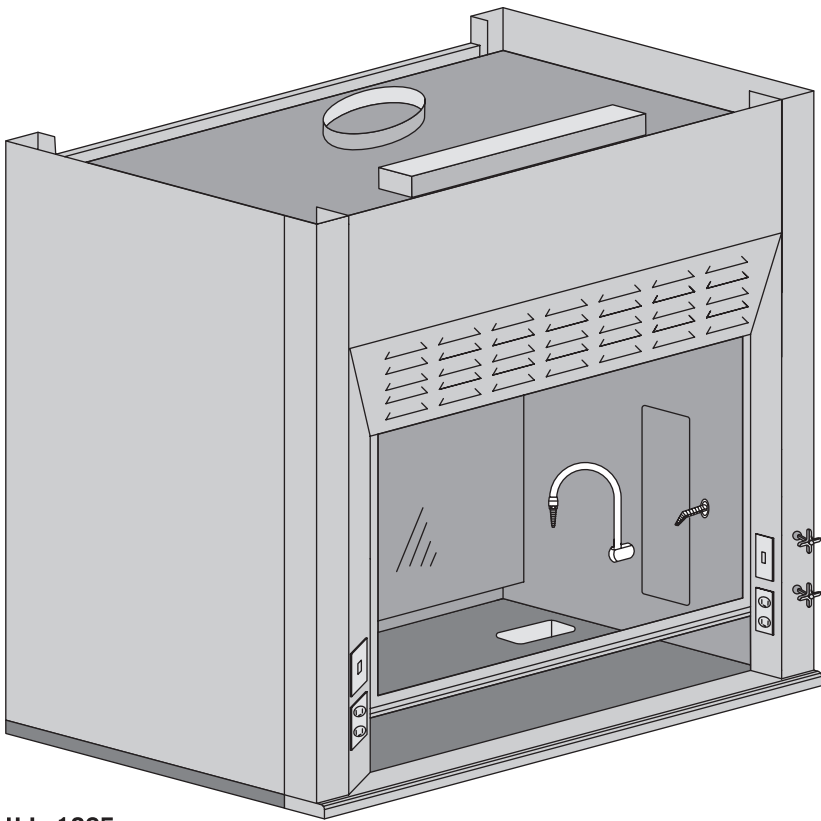


EH-500 Optional Accessories

ITEM	AMS PT#	ITEM	AMS PT#
Ceiling Enclosures	CE	Pre-Wiring	PREW
Plumbing Accessories		Chain and Sprocket Drive	CHNSPK
Electrical Accessories		Stainless Steel Sash	SS SASH
Epoxy Tops	ET	Stainless Steel Airfoil	SS AF
Alarms	ALARM	Push Button Sash	PUSH BUTTON
Base Cabinets	BC	Automatic Sash Return	AUTO RETURN
Roll Out Base	ROB	Lattice Assembly	LATTICE
Blowers	BL	LED Lights	LED
Pre-Plumbing	PREP	Base Frames and Cabinets	

Laboratory Equipment

Air Master Systems Fume Hoods - Eliminator 600 Series: Radio Isotope



U.L. 1805
Classified

For Safe Handling of Radiochemicals

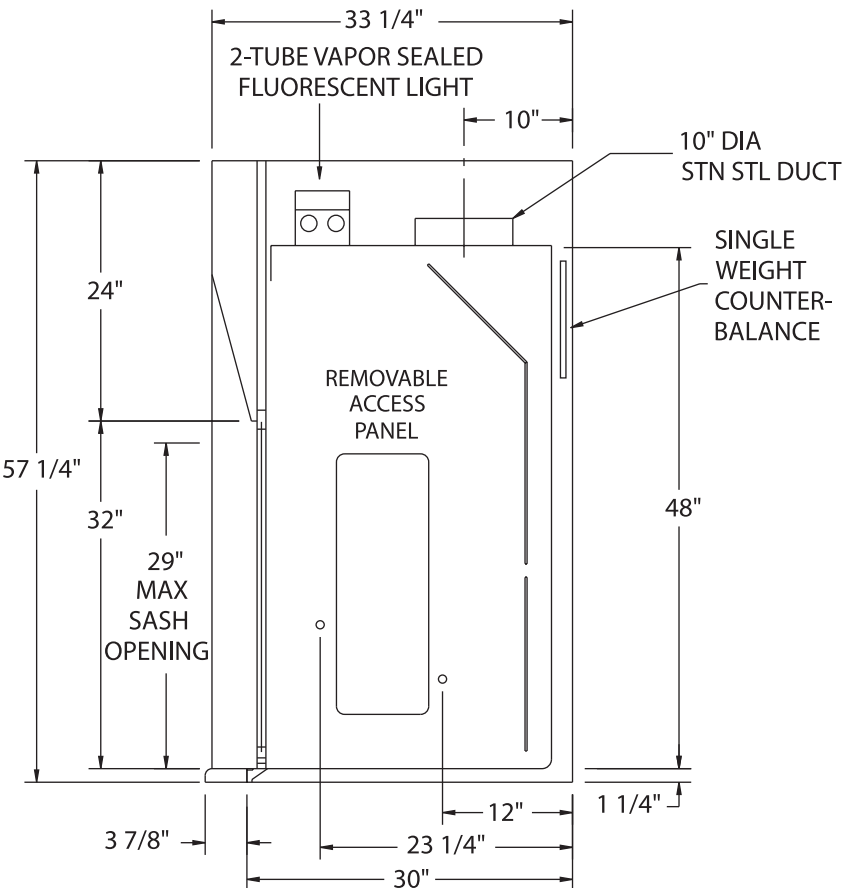
The Eliminator 600 Radio Isotope Hood is specifically engineered and built to handle applications involving radiochemicals.

It has the same aerodynamic design as the standard airfoil hood, with the added feature of a one-piece stainless steel liner and countertop with radius construction to prevent absorption of radioactive and corrosive chemicals.

The interior of the hood and integral countertop are fabricated of 304 stainless steel, buffed and polished to a smooth #4 finish. This reduces the chance of chemical buildup and simplifies decontamination.

The flush-mount radiused airfoil is also type 304 stainless steel, as is the standard vertical rising sash. A combination sash is available as an option.

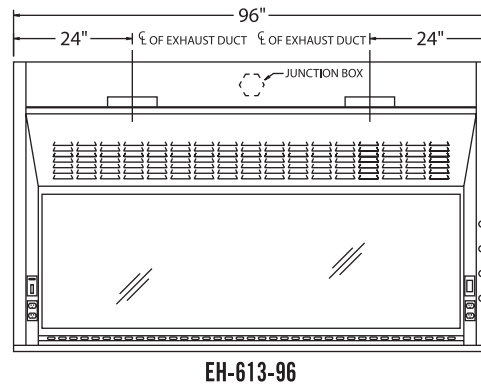
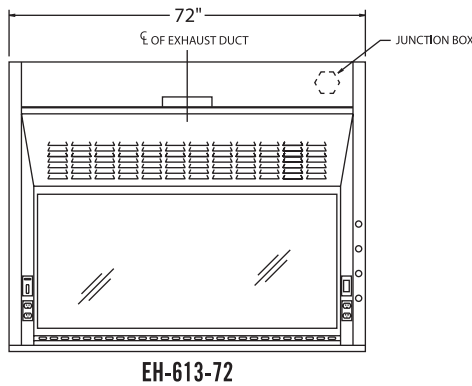
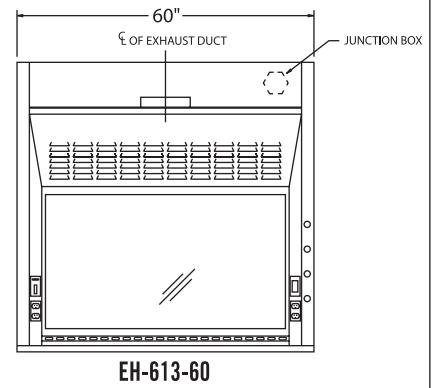
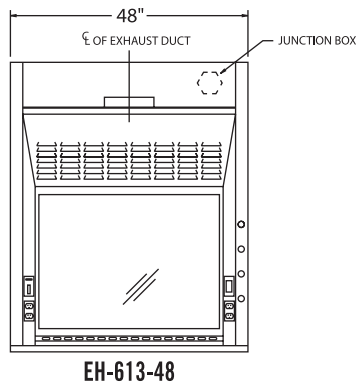
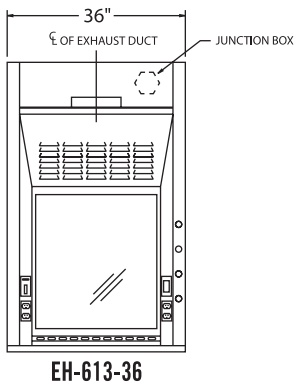
Five available sizes and many optional accessories meet all your design needs and the end user's application requirements.



EH-600 Standard Features

- Powder Coat Finish
- Full Frame Construction
- Shaft Drive Sash
- T-8 Fluorescent Light with bulbs
- Flush-Mount Airfoil
- Interior Access to Light
- Full-Length Finger Lift
- Louvered Front for By-Pass
- 304 Stainless Steel One-Piece Integral Work Surface and Liner
- Stainless Steel Sash
- Stainless Steel Airfoil

The *Eliminator* 600 SERIES: Radio Isotope Hood



Part Number	Superstructure			Integral Worktop			Hood Opening		CFM @ 29"*	CFM @ 18"*	SP	Blower Model #	Shipping Weight
	W	H	D	W	H	D	W	H					
EH-613-36	36"	56"	33-1/4"	36"	1-1/4"	30"	26"	29"	567	354	.25	BL-100-36	190
EH-613-48	48"	56"	33-1/4"	48"	1-1/4"	30"	38"	29"	833	521	.25	BL-100-48	200
EH-613-60	60"	56"	33-1/4"	60"	1-1/4"	30"	50"	29"	1100	688	.34	BL-100-60	225
EH-613-72	72"	56"	33-1/4"	72"	1-1/4"	30"	62"	29"	1367	854	.34	BL-100-72	270
EH-613-96	96"	56"	33-1/4"	96"	1-1/4"	30"	86"	29"	1900	1188	.40	BL-100-96	300

*Height of open sash; CFM calculated at 100 FPM

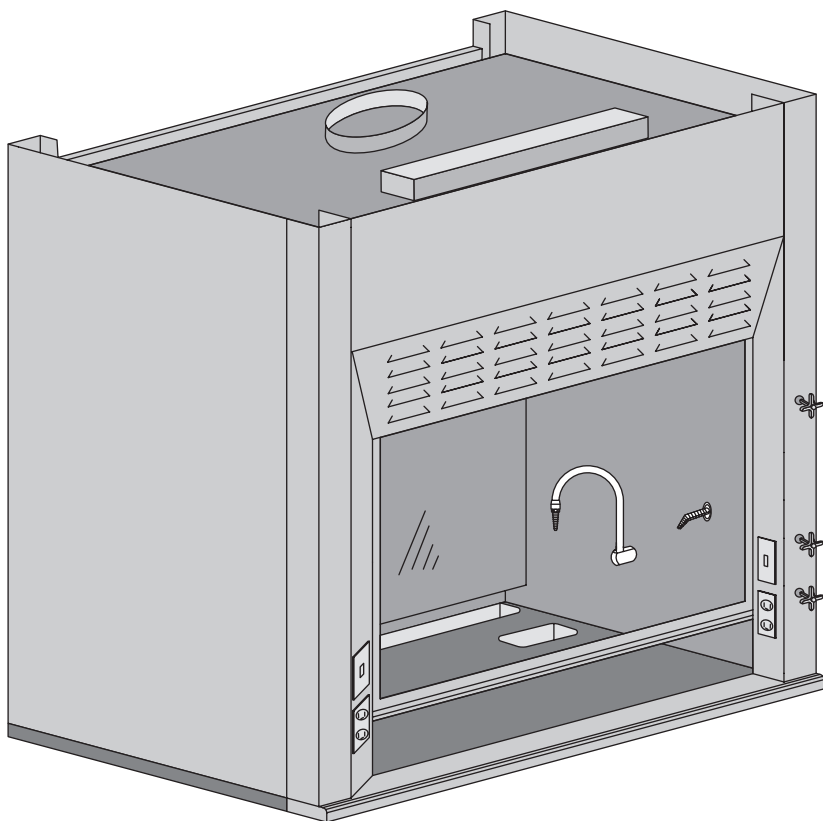
EH-600 Optional Accessories

ITEM	AMS PT#
Ceiling Enclosures	CE
Plumbing Accessories	
Electrical Accessories	
Alarms	ALARM
Base Cabinets	BC
Blowers	BL
Pre-Plumbing	PREP
Pre-Wiring	PREW

ITEM	AMS PT#
Sash Stops	SASHSTOP
Chain and Sprocket Drive	CHNSPK
Push Button Sash	PUSH BUTTON
Combination Sash	H&V
Automatic Sash Return	AUTO RETURN
Lattice Assembly	LATTICE
LED Lights	LED

Laboratory Equipment

Air Master Systems Fume Hoods - Eliminator 700 Series: Perchloric



U.L. 1805
Classified

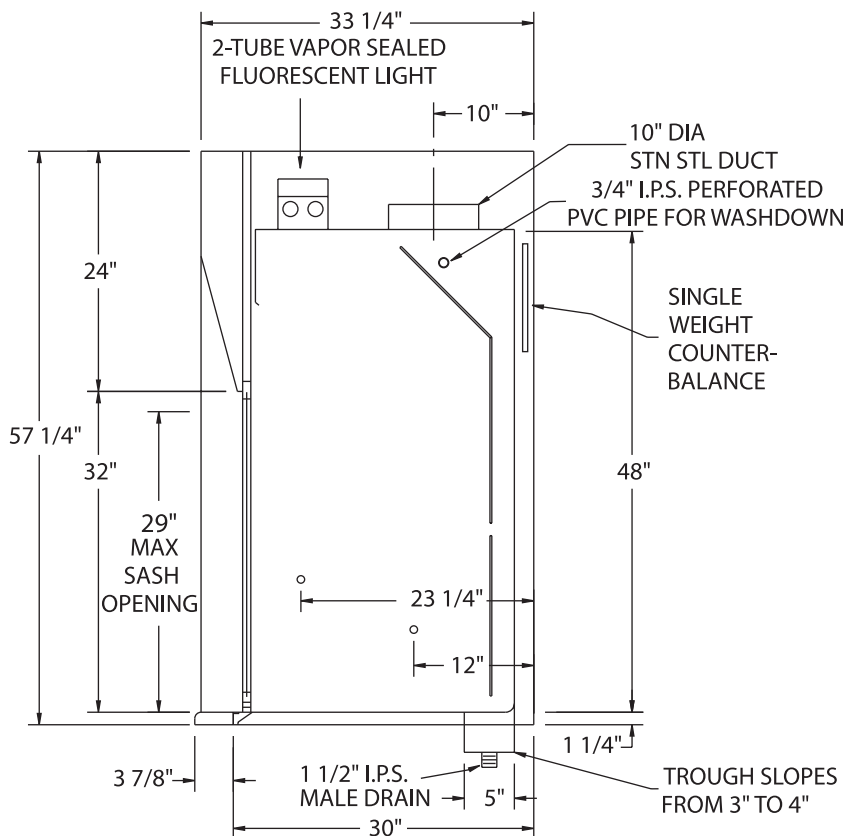
Safe Handling of Perchloric Acid

The Eliminator 700 Perchloric Acid Hood has the same aerodynamic design as the 100 series, with a 45-degree angle around the fascia and a flush-mount radiused airfoil across the bottom to minimize turbulence and provide increased performance.

This hard-working hood also features a built-in trough to capture runoff in washdown procedures where perchloric acid is in use. In addition, there is a manual washdown feature for the areas behind the baffles as well as the duct-collar areas.

The interior is fabricated of type 316 stainless steel, integrally welded to a 316 stainless steel work surface, then buffed and polished to a #4 finish. The top is 1-1/4" with a 1/4" dish to retain spills. The airfoil and sash are also made of 316 stainless steel.

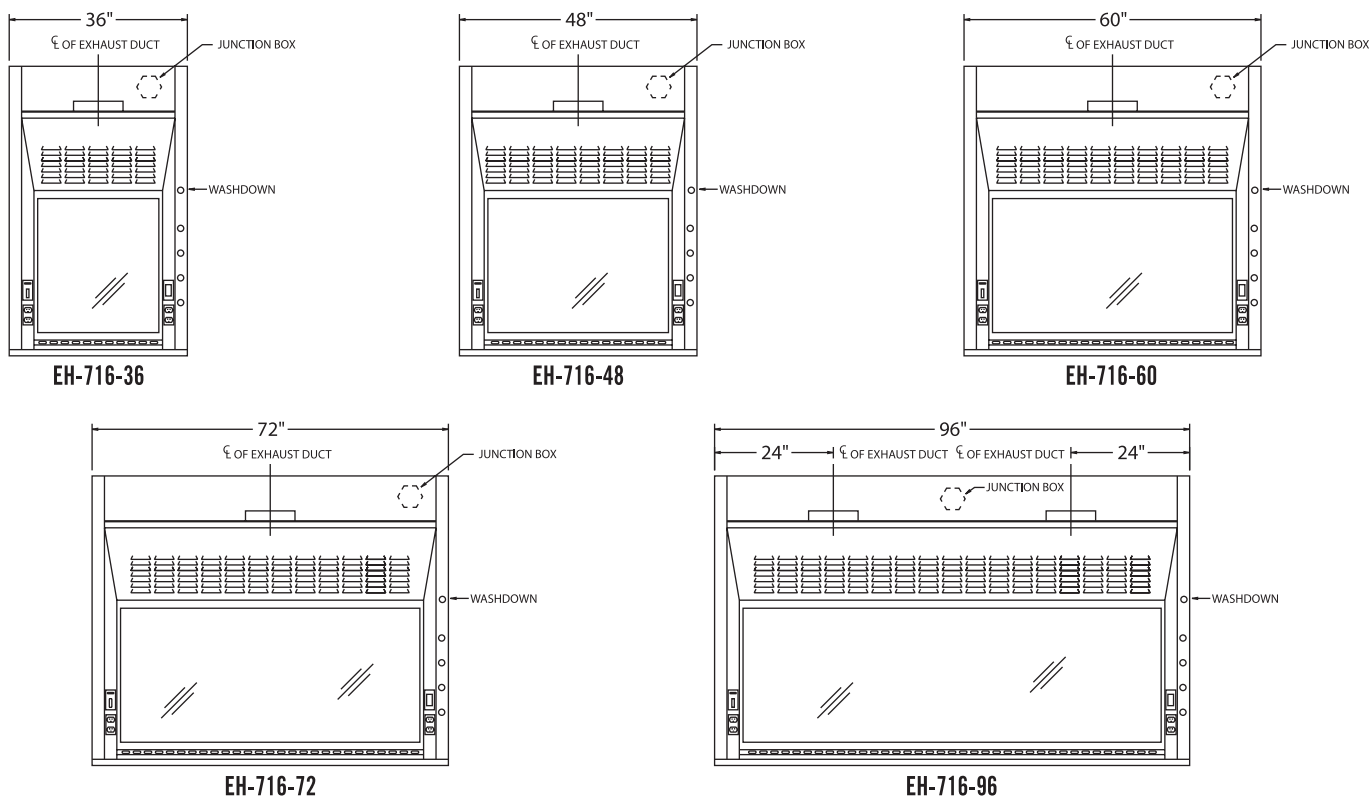
The EH-700 is built tough to withstand the daily use of perchloric acid, while keeping the workplace safe.



EH-700 Standard Features

- Powder Coat Finish
- Full Frame Construction
- Shaft Drive Sash
- T-8 Fluorescent Light with bulbs
- Flush-Mount Airfoil
- Interior Access to Light
- Full-Length Finger Lift
- Louvered Front for By-Pass
- 316 Stainless Steel One-Piece Integral Work Surface and Liner
- Built-In Trough
- Manual Washdown
- Stainless Steel Sash
- Stainless Steel Airfoil

The Eliminator 700 SERIES: Perchloric Acid Hood



Part Number	Superstructure			Integral Worktop			Hood Opening		CFM @ 29"*	CFM @ 18"*	SP	Blower Model #	Shipping Weight
	W	H	D	W	H	D	W	H					
EH-716-36	36"	56"	33-1/4"	36"	1-1/4"	30"	26"	29"	567	354	.25	BL-100-36	190
EH-716-48	48"	56"	33-1/4"	48"	1-1/4"	30"	38"	29"	833	521	.33	BL-100-48	200
EH-716-60	60"	56"	33-1/4"	60"	1-1/4"	30"	50"	29"	1100	688	.34	BL-100-60	225
EH-716-72	72"	56"	33-1/4"	72"	1-1/4"	30"	62"	29"	1367	854	.34	BL-100-72	270
EH-716-96	96"	56"	33-1/4"	96"	1-1/4"	30"	86"	29"	1900	1188	.40	BL-100-96	300

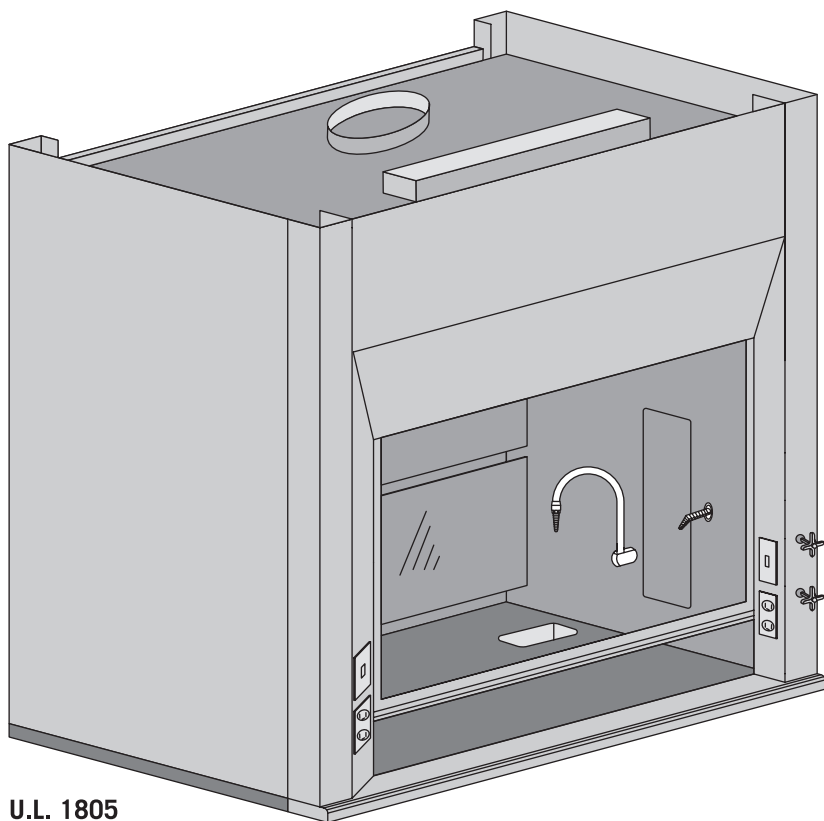
*Height of open sash; CFM calculated at 100 FPM

EH-700 Optional Accessories

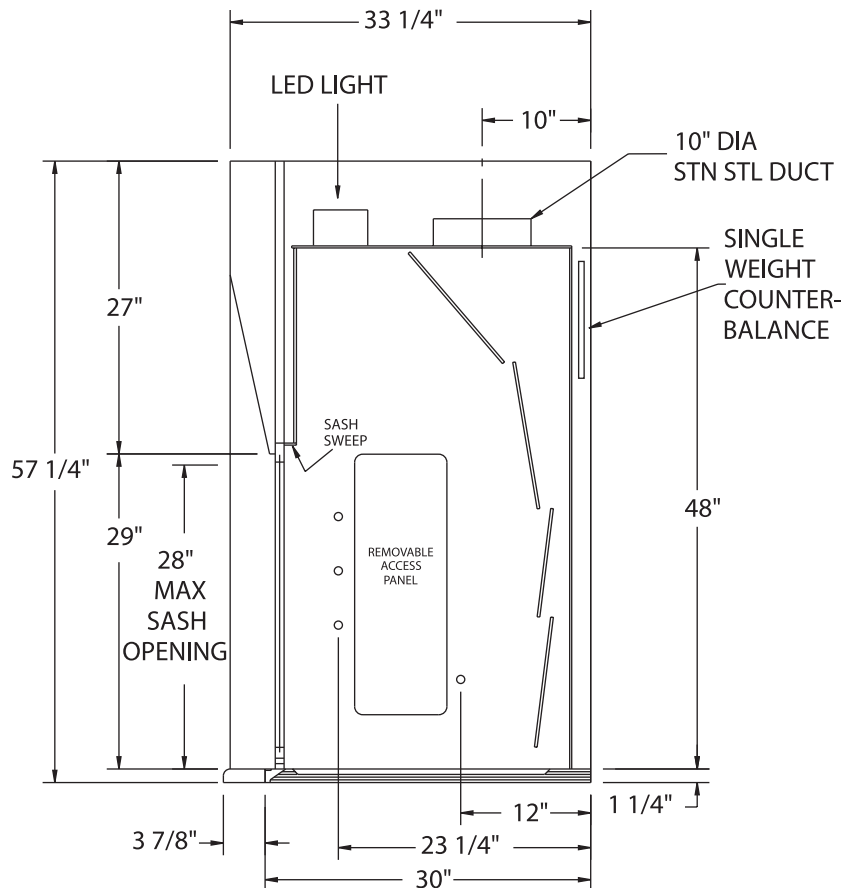
ITEM	AMS PT#	ITEM	AMS PT#
Ceiling Enclosures	CE	Sash Stops	SASHSTOP
Plumbing Accessories		Chain and Sprocket Drive	CHNSPK
Electrical Accessories		Push Button Sash	PUSH BUTTON
Alarms	ALARM	Combination Sash	H&V
Base Cabinets	BC	Automatic Sash Return	AUTO RETURN
Blowers	BL	Lattice Assembly	LATTICE
Pre-Plumbing	PREP	LED Lights	LED
Pre-Wiring	PREW		

Laboratory Equipment

Air Master Systems Fume Hoods - Eliminator High Performance



U.L. 1805
Classified



A Green Alternative

The Eliminator HP hood comes standard with all the same features as other Eliminator models, along with some additional innovations to set this hood apart from its competitors. Features of the HP Series include:

- 40-60% energy savings, accomplished without compromising performance or safety.
- High-efficiency L.E.D. lighting with low maintenance costs.
- Standard 30" deep work surface for zero work space loss in your lab.

The HP model is designed to operate economically while creating a safe work environment without compromising containment. Buy operating at 60 FPM, air flow across the sash opening results in a 40% savings in fume hood operation costs.

In addition, AMS now offers Greenstone Epoxy Tops, made with recycled materials. Please see the note on the inside front cover and the specifications for epoxy tops on page 34 of this catalog for more information.

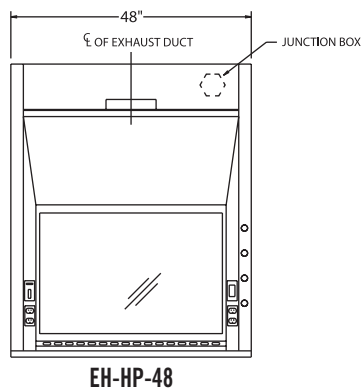
The HP hood was designed to do all this and still fit on a standard-depth countertop and cabinet. This means no disassembly and reassembly during the installation process. The HP hood fits through a standard door opening, making this hood the choice for that retrofit job.

EH-HP Standard Features

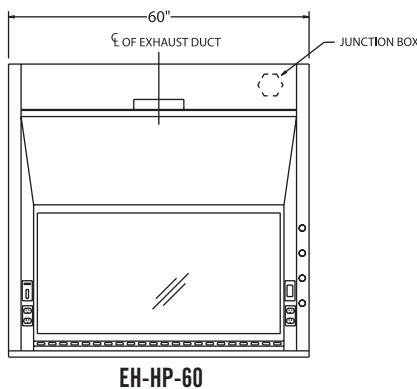
- Powder Coat Finish
- Full Frame Construction
- Shaft Drive Sash
- U.L. Listed Poly Resin Liner
- LED Lights
- Flush-Mount Airfoil
- Knock Down Capability
- Interior Access to Light
- Full-Length Finger Lift
- Sash Sweep
- Airflow Monitor/Alarm
- Sash Alarm

The *Eliminator* HP SERIES: High Performance/Energy Efficient

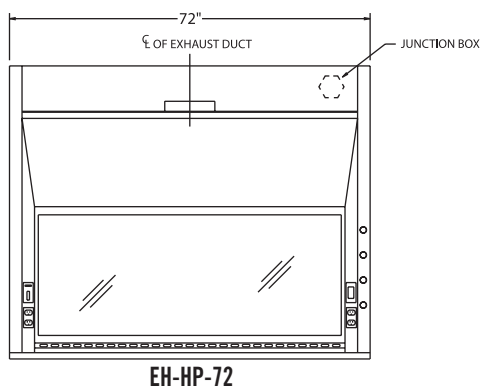
APPLICATIONS: Higher Education; Industrial; Private Research



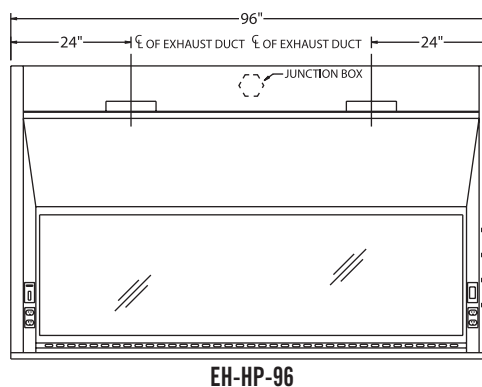
EH-HP-48



EH-HP-60



EH-HP-72



EH-HP-96

Part Number	Superstructure			Worktop			Hood Opening		CFM @ 28"*	CFM @ 18"*	SP	Blower Model #	Shipping Weight
	W	H	D	W	H	D	W	H					
EH-HP-48	48"	56"	33-1/4"	48"	1-1/4"	30"	38"	28"	469	313	.25	BL-HP-48	200
EH-HP-60	60"	56"	33-1/4"	60"	1-1/4"	30"	50"	28"	619	413	.34	BL-HP-60	225
EH-HP-72	72"	56"	33-1/4"	72"	1-1/4"	30"	62"	28"	769	513	.34	BL-HP-72	270
EH-HP-96	96"	56"	33-1/4"	96"	1-1/4"	30"	86"	28"	1069	713	.34	BL-HP-96	300

*Height of open sash; CFM calculated at 60 FPM

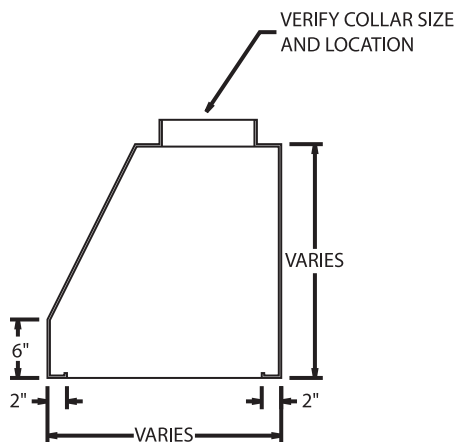
EH-HP Optional Accessories

ITEM	AMS PT#
Ceiling Enclosures	CE
Plumbing Accessories	
Electrical Accessories	
Epoxy Tops	ET
Alarms	ALARM
Base Cabinets	BC
Blowers	BL
Pre-Plumbing	PREP
Pre-Wiring	PREW

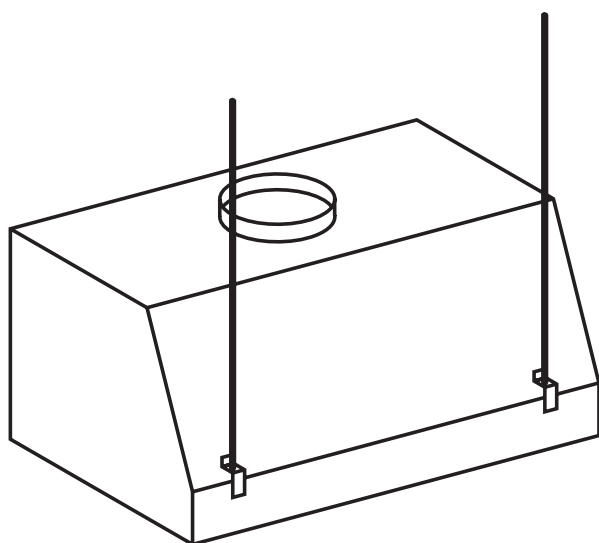
ITEM	AMS PT#
Sash Stops	SASHSTOP
Chain and Sprocket Drive	CHNSPK
Stainless Steel Sash	SS SASH
Stainless Steel Airfoil	SS AF
Push Button Sash	PUSH BUTTON
Combination Sash	H&V
Lattice Assembly	LATTICE
Auto Sash Return	
Greenstone by Durcon	

Laboratory Equipment

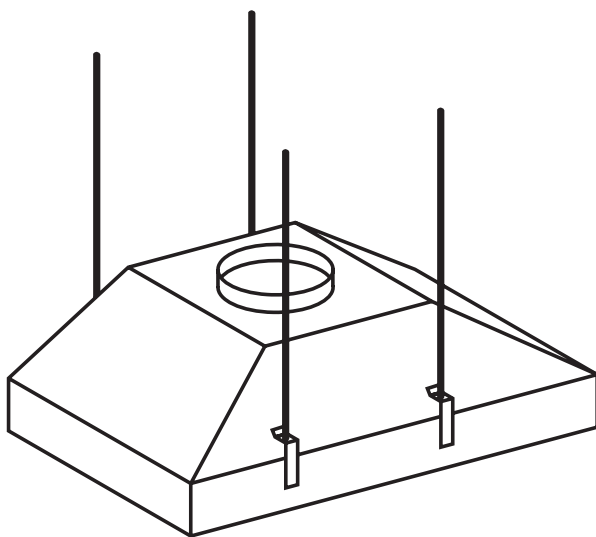
Air Master Systems Fume Hoods - Canopy Hoods



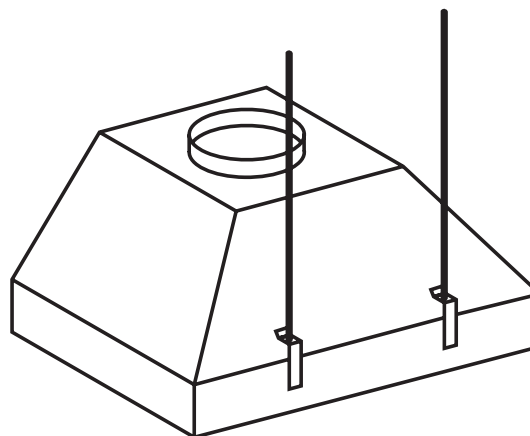
SECTION THRU



CANOPY HOOD w/FLAT BACK & FLAT SIDES — "FS" STYLE



CENTER CANOPY HOOD — ISLAND "IL" STYLE



CANOPY HOOD — "SE" STYLE

AMS canopy hoods are designed to collect and exhaust heat, steam and odors when mounted above hot plates, water baths or portable equipment. They are available in three different models as pictured here and in six standard widths: 24", 30", 36", 48", 60", and 72". Custom sizes are also available.

Standard canopy hoods are available in 18-gauge cold rolled steel, finished with acid wash and powder coat epoxy paint. (See inside back cover for available standard colors.) Stainless canopy hoods are fabricated of 18-gauge 304 stainless steel with a #4 smooth grain finish

Two stainless steel threaded rods come with FS and SE models; four are supplied with IL models.

To order canopy hoods:

- CH-FS for flat back and flat sides
- CH-IL for center style
- CH-SE for flat back and sloped sides

For stainless steel option, add -SS"

For example:

- CH-FS-4824 is a painted steel, 48" wide, 24" deep canopy hood with flat back and flat sides.
- CH-IL-6030-SS is a 60" wide, 30" deep island canopy with stainless steel construction.

Air Monitor Alarms



**AFA 500
 Mk3
 Fume Hood
 Airflow Monitor
 Specifications**

Part #AMS-ALRG

Alarm range	30-400 fpm (.15 -2.0 m/s)
Accuracy	Face velocity accuracy +/- 10%
Airflow sensor	On-board or remote sensor
Calibration	Single or 2-point (Installer selectable)
Low Air Alarm delay	Fixed 5 secs
Relay output	1 --(Low Air alarm)
Analog output	Not available
Relay input	2 – Night setback and sash high
Comm. Port	RS232 – Can be connected via serial interface to LAN network (Full hood performance software reporting available)
Sash high indication	Yes – using a Micro switch or Proximity switch input With repeat alarm feature factory set to 5 min. (Can be adjusted via laptop up to 30 mins)
Night setback	Yes – using a relay input
External alarm indication	Not available
Power Requirement	Input—120VAC, 60Hz Output—15VDC, 500ma
Display—visual	LEDs: red, alarm; green, normal
Alarm indication	Red LED and audible alarm
Horn silence	Yes – temporary
Mounting	Semi Flush
Operating temperature	55-86 F (13-30 C)
Storage temperature	-40-150 F (-40-65 C)
Instrument dimensions	Instrument Case: 5.2" H x 3.19" W x 1.97" D (132mm H x 81mm W x 50mm D)
Agency listings	UL and CE



**AFA 1000/1
 Mk3
 Fume Hood
 Airflow Monitor
 Specifications**

Part #AMS-AL1D

Display range	0-999 fpm (0-5.0 m/s)
Alarm range	0-999 fpm (0-5.0 m/s)
Field set-up	2-point velocity calibration (with on-screen instructions)
Accuracy	Sensor / Display resolution 1 fpm Face velocity accuracy +/-10%
Alarm delays	User configurable – 0 to 60secs
Relay output	4 (1 on board – 3 on optional plug in relay interface unit)
Analog output	0-10V output, directly proportional to velocity (Optional)
Relay input	3
Comm. Port	RS232 – Can be connected via Serial interface to LAN network (Full software available)
Sash high indication	Yes, with separate plug-in connection
Night setback	Yes
External alarm indication	Yes
Power Requirement	Input—120VAC, 60Hz Output—15VDC, 500ma
Units	English and Metric (user selectable)
Display—visual	Analog bar graph or Fault Timeline LEDs: red, alarm; yellow, caution; green, normal Digital display of velocity reading (can be turned off)
Alarm indication	Red LED and audible alarm (to a certain sound spec)
Horn silence	Yes (temporary / permanent/automatic depending on type of alarm or external input)
Mounting	Semi Flush
Operating temperature	55-86 F (13-30 C)
Storage temperature	-40-150 F (-40-65 C)
Instrument dimensions	Instrument Case: 5.2" H x 3.19" W x 1.14" D (132mm H x 81mm W x 29mm D)
Agency listings	UL and CE

Laboratory Equipment

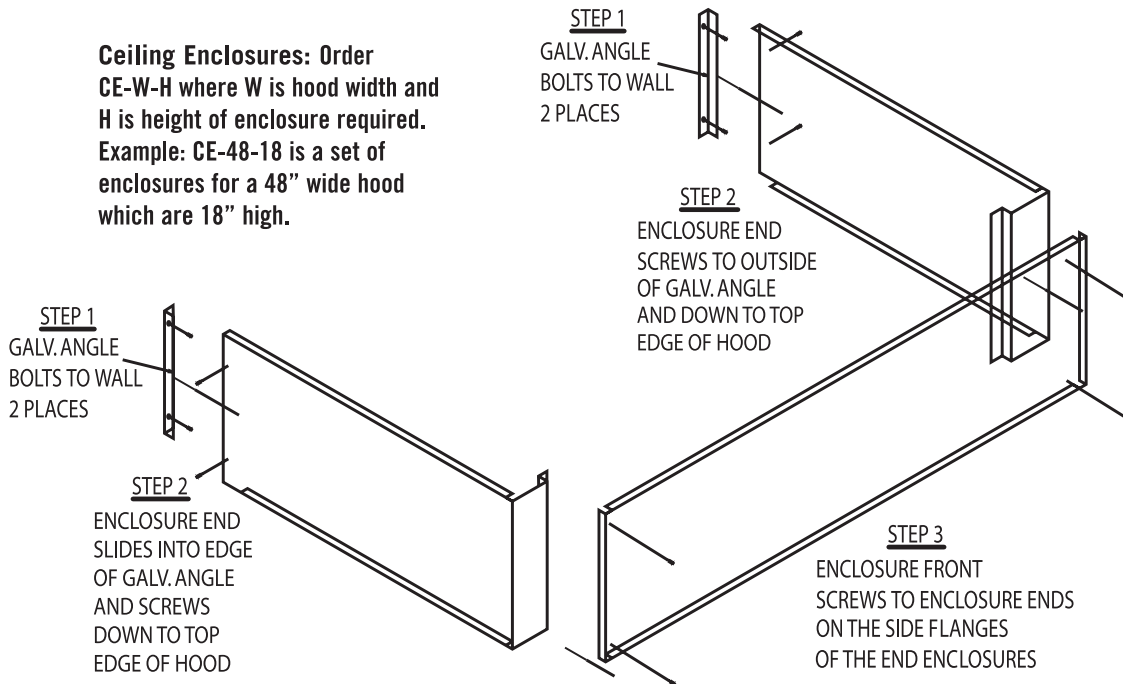
Fume Hoods Accessories – Enclosures & Finished Backs

Ceiling Enclosures and Finished Backs

Air Master Systems Corporation offers ceiling enclosures and finished backs to provide a professional, finished design in any setting. Ceiling enclosures and finished backs are fabricated of cold rolled steel and finished to match the fume hood superstructure.

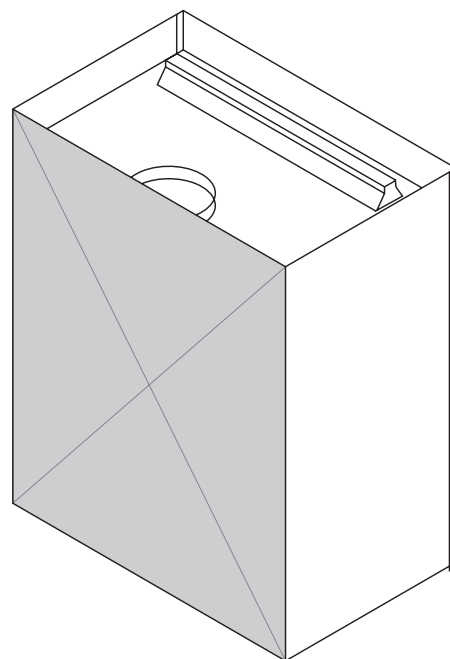
The ceiling enclosures are available in two types: for standard fume hoods and also for those fume hoods utilizing the optional Air Chamber. Both enclosures conceal and protect the hood ductwork, electrical conduit and other supply lines.

Ceiling Enclosures: Order CE-W-H where W is hood width and H is height of enclosure required. Example: CE-48-18 is a set of enclosures for a 48" wide hood which are 18" high.



Finished backs are used to close off the back of the fume hood, giving it a finished look when located in the center of a room.

Finished Backs: Order FINBACK-W where W equals hood width.



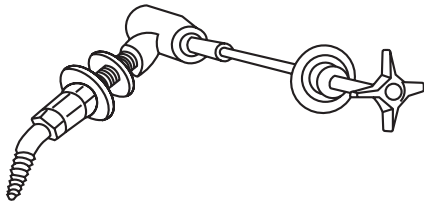
Laboratory Equipment

Fume Hoods Accessories – Plumbing Fixtures

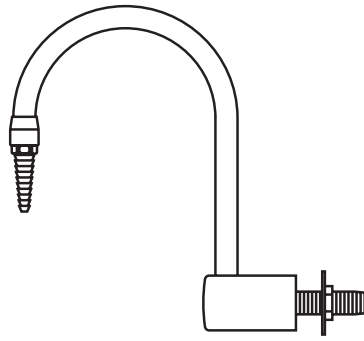
Gas	FXTGAS
Air	FXTAIR
Vacuum	FXTVAC
Nitrogen	FXTNIT
Cold water	FXTCW

Others available upon request

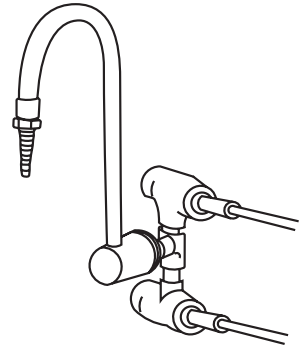
All Air Master Systems Corporation remote-operated fixtures come standard with four-prong handles, baked color-coded epoxy upper assemblies and control rods cut to length. Chrome and other styles are available upon request. Preplumbed services are 3/8" black pipe for gases and 1/2" rigid copper with soldered joints for water and other lab services.



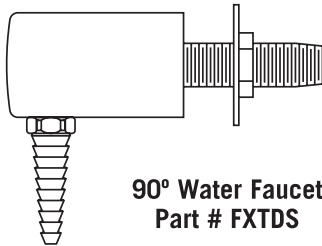
Remote Control Fixtures



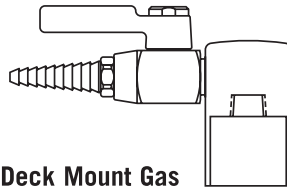
Gooseneck Faucet
Part # FXTGN
Specify Hot or Cold



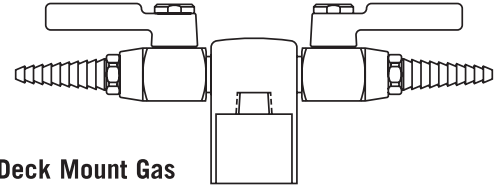
Hot and Cold Water Mixing
Part # FXTCWM



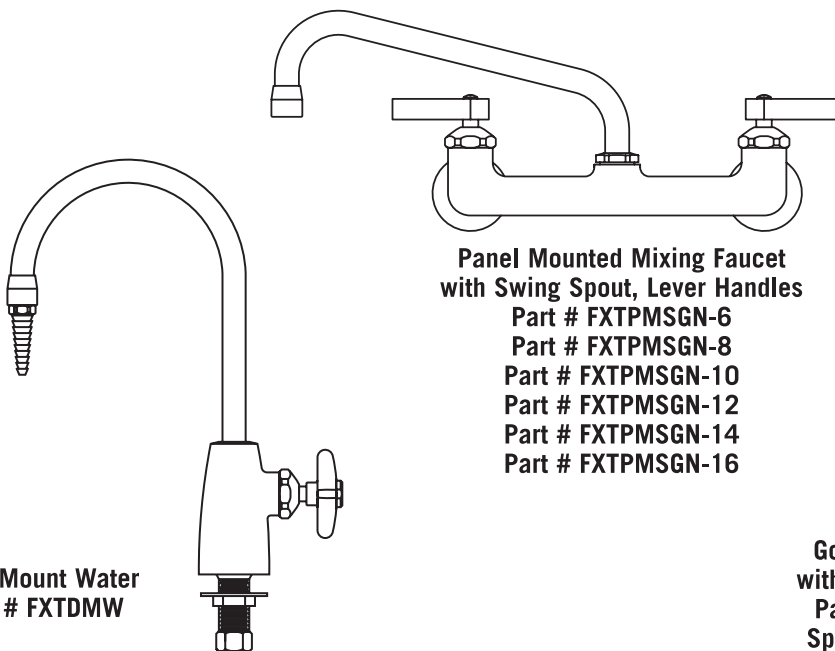
90° Water Faucet
Part # FXTDS



Deck Mount Gas
Single Outlet
Part# FXTDMG1



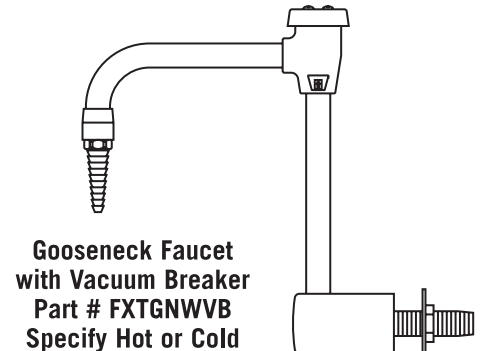
Deck Mount Gas
Double Outlet
Part # FXTDMG2



Panel Mounted Mixing Faucet
with Swing Spout, Lever Handles

- Part # FXTPMSGN-6
- Part # FXTPMSGN-8
- Part # FXTPMSGN-10
- Part # FXTPMSGN-12
- Part # FXTPMSGN-14
- Part # FXTPMSGN-16

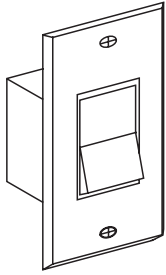
Deck Mount Water
Part # FXTDMW



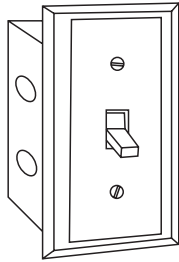
Gooseneck Faucet
with Vacuum Breaker
Part # FXTGNWVB
Specify Hot or Cold

Laboratory Equipment

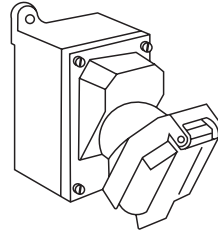
Fume Hoods Accessories – Electrical Fixtures



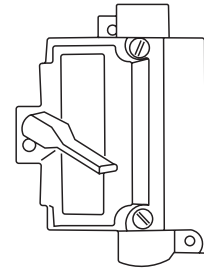
**Single Pole 15 Amp
Light Switch
Standard Black Color
and Cover Plate
Part# LTSW**



**Red Illuminated
Toggle Switch with
Black Cover Plate
Part# BLSW**



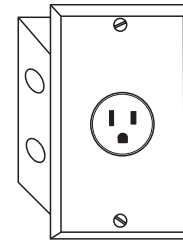
**Explosion Proof Outlet
Class 1, Group 1
Part# XPO**



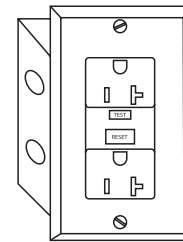
**Explosion Proof Switch
Class 1, Group 1
Part# XSW**

Pre-Wire service is completed in accordance with NEC and UL-1805 standards.

Note: If the fume hood is not pre-wired, wiring in the field must be accomplished using UL listed electrical fixtures while observing NEC standards and local electrical codes.



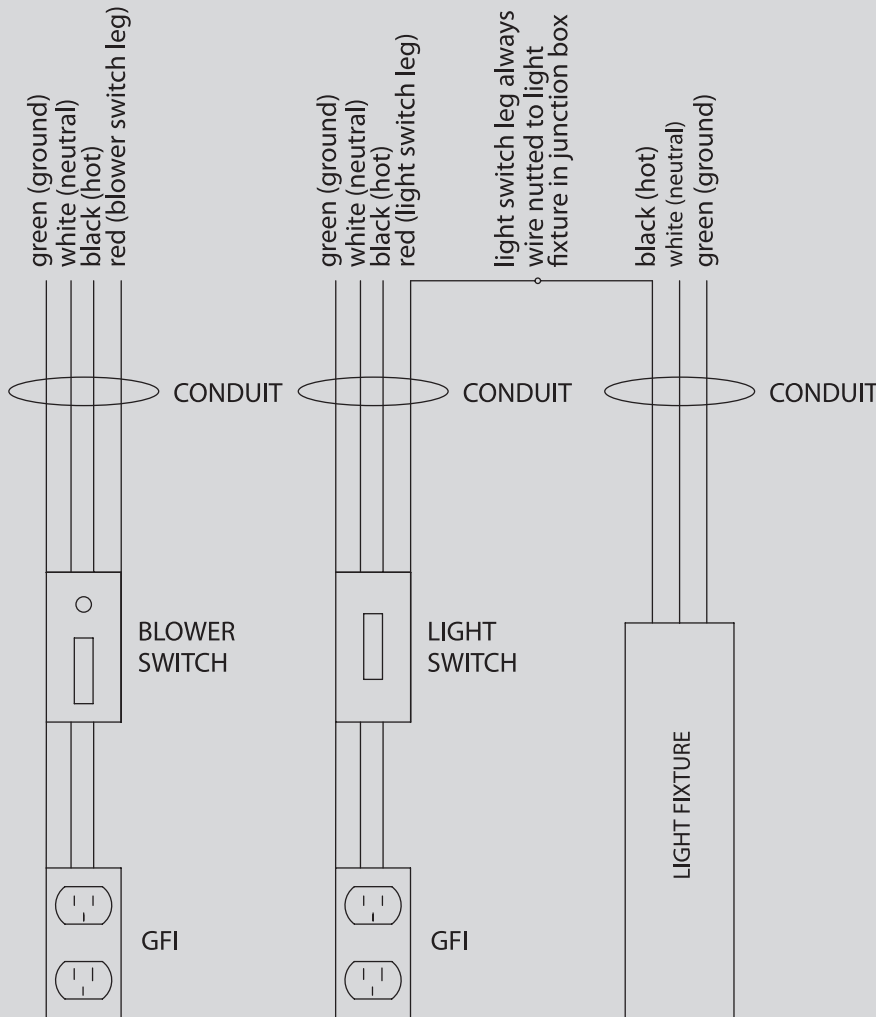
**208 Volt, 20 Amp Single
Pole Receptacle
230, 277 or other
available upon request
Part# 208**



**120 volt 20 Amp Ground
Fault Interrupter (GFI)
Duplex Outlet Standard Black
color with cover
Part# GFI**



**Explosion Proof Light
Class 1, Group 1
Available in incandescent
or fluorescent
Part# XPL**



Laboratory Equipment

Fume Hoods Accessories – Worktops

Work Surfaces

Another key component of effective and efficient fume hood utilization is the type of work surface to use. Inappropriate work surfaces can interfere with lab processes and be a potential danger to lab personnel. Air Master Systems Corporation provides durable, high-performance epoxy resin and stainless steel surfaces that feature top quality materials and workmanship.

Epoxy Resin

Primarily used for all general purpose fume hoods and base cabinets, AMS Fume Hood epoxy resin tops are 1-1/4" (3.2cm) thick with a black, low sheen finish and feature a deep-dished 3/8" (0.97cm) work area. Oval 3" x 6" (7.65 x 15.3cm) cup sinks are standard; locations must be specified when ordering.

Greenstone Epoxy Resin

Greenstone Epoxy Resin from Durcon is a product that positively impacts the environment and may help achieve LEED credits. The non-porous epoxy resin contains no less than 10% post consumer recycled content (by weight), and is extremely durable with superior resistance to heat, chemicals and stains. VOC levels are well below NASA's screening levels for space capsule interiors. The tops are 1-1/4" (3.2cm) thick with a black, low sheen finish featuring a deep-dished 3/8" (0.97cm) work area. Oval 3" x 6" (7.65 x 15.3cm) cup sinks are standard; locations must be specified when ordering.

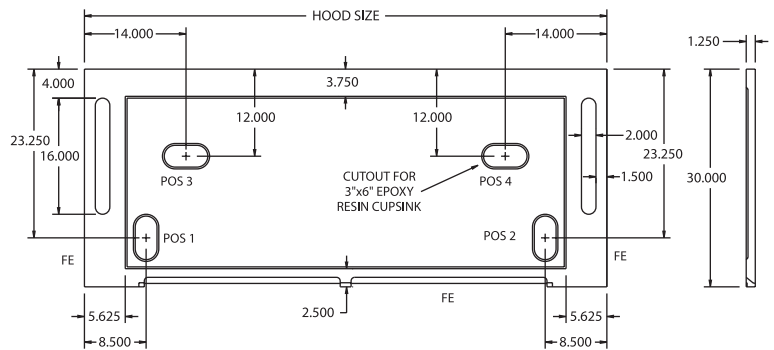


Stainless Steel

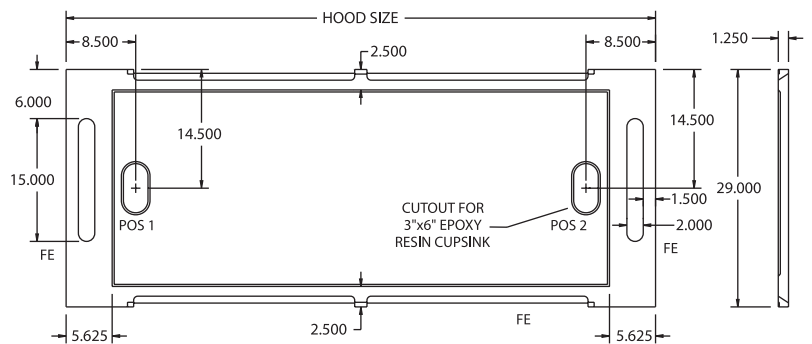
Stainless steel work surfaces are fabricated of 304 stainless steel*, are 1-1/4" (3.2 cm) thick and dished 3/8" with a #4 smooth satin finish. Square 3" x 6" (7.65 x 15.3 cm) welded cup sinks are standard; locations must be specified when ordering.

**In perchloric acid applications, 316 stainless steel is used for lab safety.*

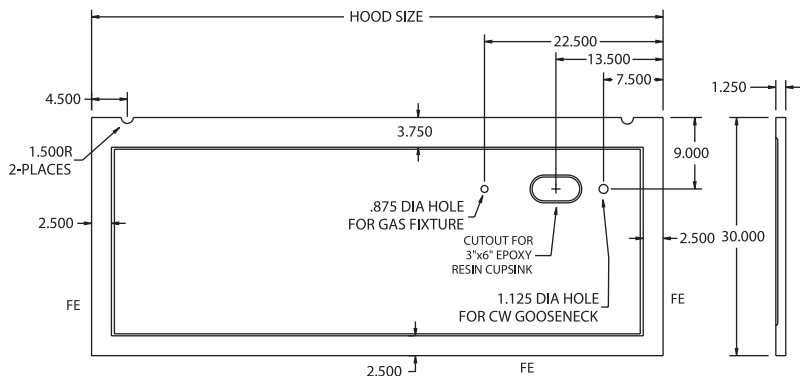
100 and 500 Series Epoxy Work Surfaces



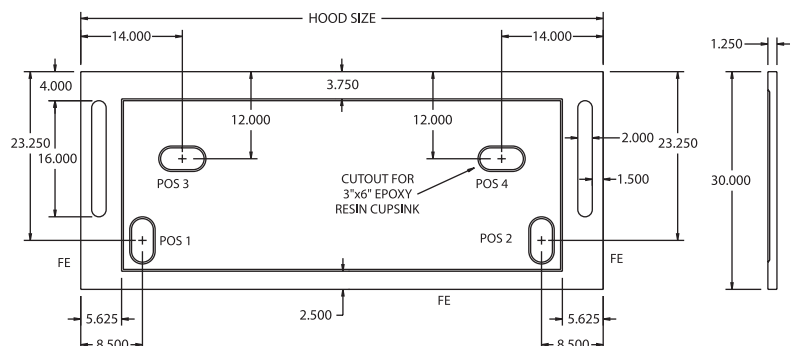
200 Series Epoxy Work Surfaces



300 Series Epoxy Work Surfaces

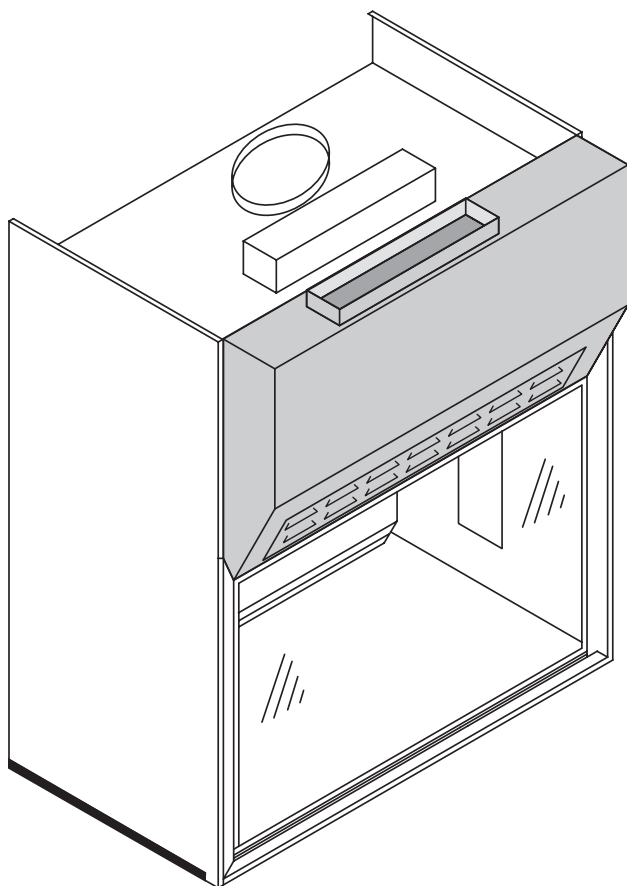


800 Series Epoxy Work Surfaces



Laboratory Equipment

Fume Hoods Accessories – Auxiliary Air Chamber

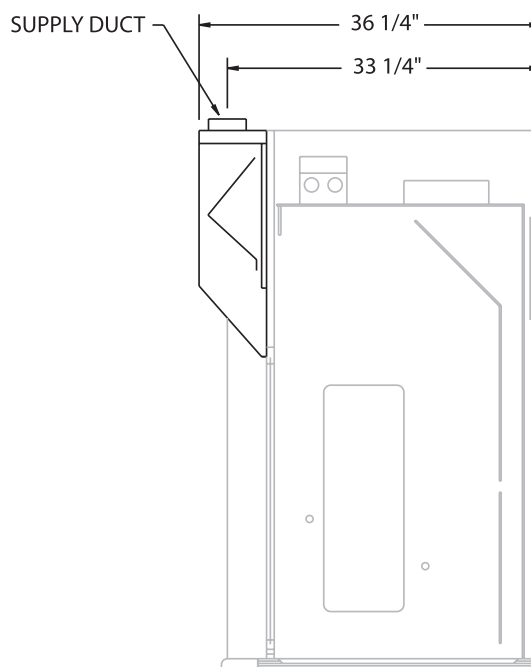


The Air Chamber system reduces energy costs for heating and cooling any fume hood by as much as 70 percent. This is achieved by capturing air from outside the laboratory and supplying it to the hood through a supply duct to the Air Chamber. An additional, separate blower and duct are required for the air supply.

Increased Flexibility

The Air Chamber can be used on any Eliminator hood and coordinates with all Eliminator standard features in design, manufacturing, construction, finishing, and fixtures.

To order the Air Chamber option, include the letters AC after the width dimension. See Ordering Guide on back cover.



Supply Blower Information

Model	70% of Hood CFM	SP @ Hood	Duct Size
EH-111-36AC	400	.15 Inches	4" x 17"
EH-111-48AC	580	.18 Inches	4" x 17"
EH-111-60AC	765	.22 Inches	4" x 22"
EH-111-72AC	950	.28 Inches	4" x 22"
EH-111-96AC	1315	.42 Inches	(2) 4" x 17"

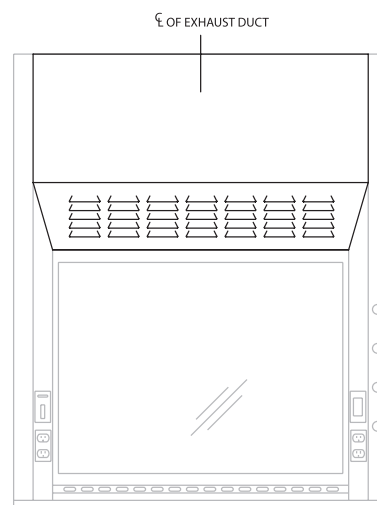
Supply Blower Information

Model	70% of Hood CFM	SP @ Hood	Duct Size
EH-411-48AC	580	.18 Inches	4" x 17"
EH-411-60AC	765	.22 Inches	4" x 22"
EH-411-72AC	950	.28 Inches	4" x 22"
EH-411-96AC	1315	.42 Inches	(2) 4" x 17"

Supply Blower Information

Model	70% of Hood CFM	SP @ Hood	Duct Size
EH-311-36AC	470	.15 Inches	4" x 17"
EH-311-48AC	645	.18 Inches	4" x 17"
EH-311-60AC	820	.22 Inches	4" x 22"
EH-311-72AC	995	.28 Inches	4" x 22"
EH-311-96AC	1345	.42 Inches	(2) 4" x 17"

Blower information is provided for general purposes only based on a full open sash and static pressure for the hood only. Corners and additional duct runs will increase the static pressure and blower requirements. Please consult with your HVAC professional for your specific requirements.



Laboratory Equipment

Fume Hood Base Cabinets

Base cabinets are available to fit under standard laboratory work surfaces and counters, with safety features suitable for hazards as specified.

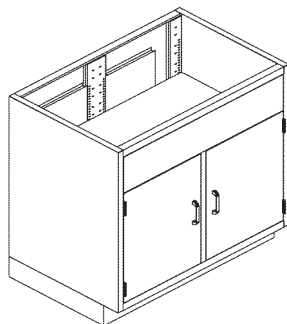
Standard cabinets follow the same design and construction as 7000 series cabinets.

Acid cabinets follow the same design and construction as 7000 series cabinets but include an interior lining of Wesliner material and front louvers for venting. "ACID" label is included.

(See page 39 for more info)

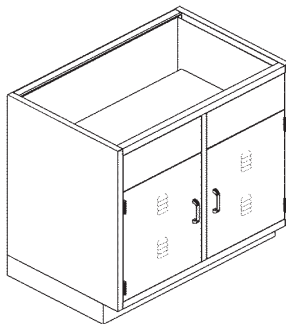
Flammable Storage cabinets feature double wall construction and rear vents. Available with Manual or Self-close (Sliding) doors. OSHA and NFPA compliant. (Units are finished in SAFETY YELLOW unless otherwise specified)

Standard



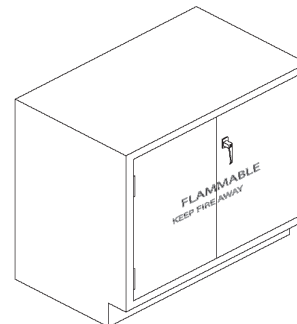
Model	Dim. W x H
7119-29FH	29" x 35-3/4"
7119-35FH	35" x 35-3/4"
7119-47FH	47" x 35-3/4"
7119-58FH	58" x 35-3/4"

Acid Storage



Model	Dim. W x H
7000-29FH	29" x 35-3/4"
7000-35FH	35" x 35-3/4"
7000-47FH	47" x 35-3/4"
7000-58FH	58" x 35-3/4"

Flammable Storage



Model	Dim. W x H x D
L124 Manual	35" x 35-9/16" x 22"
L224 Self-Close	35" x 35-5/8" x 22"
L136 Manual	47" x 35-9/16" x 22"
L236 Self-Close	47" x 35-5/8" x 22"
L144 Manual	59" x 35-9/16" x 22"
L244 Self-Close	59" x 35-5/8" x 22"

Vent Kits

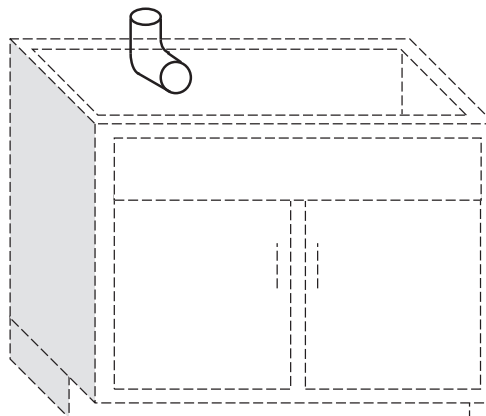
Model VK-A

Vent Kit for 7000 series Acid cabinets. PVC Vent extends from the cabinet to the worktop so fumes can be exhausted by the hood. Kit includes elbow and two threaded connections.

Model VK-F

Vent Kit for Flammable storage cabinet. Flexible plastic hose extends from the cabinet directly into ductwork, bypassing the fume hood entirely so dangerous fumes are exhausted directly into the ductwork. Kit includes 10' hose and adapters.

*Other materials available upon request.



Notes



A DIVISION OF UNITED HOSPITAL SUPPLY CORPORATION
PO BOX 1238 * 4422 ROUTE 130 * BURLINGTON, NJ 08016 * (800) 486-8484 * (609) 387-7580
Fax (609) 387-0803 * Email: uh.labdesign@verizon.net * WEBSITE: www.lab-design.com

INDEX

CABINETS & ACCESSORIES2-42, 103

Cabinets2-37, 103

Assembly Details.....	5
Base Cabinets.....	6-28, 37, 103
ADA Height.....	22-28
Acid Storage.....	39
Corner Cabinets.....	28
Fume Hood Base Cabinets.....	102
Sink Base.....	27-28
Sitting Height.....	15-21, 27-28
Standing Height.....	6-14, 27-28
Freestanding [Tall] Cabinets.....	36-38
Narcotic Cabinet.....	39
Specifications.....	2-4
Wall Cabinets.....	33-35
Corner.....	35
Cabinet Accessories.....	40-42
Fillers.....	41
Lazy Susan Shelf.....	42
Riser Panels.....	42
Shelves.....	42
Sloping Tops/Soffits.....	40
Knee Space/Table Assemblies.....	29-32
Adjustable Height Tables.....	31-32
End Panels.....	29
Knee Space Drawers.....	29
Knee Space Panels.....	29
Table Aprons/Frames.....	30
Legs.....	30

LABORATORY ACCESSORIES.....43-79

Balance Tables.....	45
Countertops.....	43
Supports.....	44
Pegboards.....	49
Pipe Frames.....	44
Safety Equipment.....	75-78
Eyewashes.....	75
Eyewash/Drench Hose Units.....	76
Emergency Showers.....	77
Safety Stations.....	78
Service Enclosures.....	48
Service Fixtures.....	54-74
Accessories & Components.....	73-74
Ball Valves.....	68-69
Data Fixtures.....	72
Electrical Fixtures.....	72
Epoxy Coated/ColorTech Fixtures.....	79

LABORATORY ACCESSORIES cont'd ...43-79

Faucets.....	57-67
Single.....	57
Mixing.....	58-63
Foot-Operated.....	62-63
Pure Water.....	65-67
Indexing Chart.....	55
Needle Valves.....	69-71
Pre-Rinse Units.....	64
Pure Water Valves.....	65
Steam Valves.....	56
Valve Selection Guide.....	54
Water Valves.....	56
Shelving.....	46-48
Brackets & Standards.....	46
Reagent Rack Shelving.....	48
Island Shelving.....	47
Wall Shelving.....	46
Sinks.....	50-53
Cupsinks.....	53
Epoxy Resin.....	51-52
Sink Accessories.....	50, 53
Stainless Steel.....	50

LABORATORY EQUIPMENT80-103

Fume Hoods.....	83-103
ADA/Barrier Free.....	88-89
Air Foil.....	84-85
Canopy Hoods.....	96
High Performance.....	94-95
Perchloric Acid.....	92-93
Radio Isotope.....	90-91
Walk-In.....	86-87
Fume Hood Accessories.....	97-103
Alarms.....	97
Auxiliary Air Chamber.....	102
Base Cabinets.....	103
Ceiling Enclosures.....	98
Electrical.....	100
Finished Backs.....	98
Fixtures.....	99
Worktops.....	101
Glassware Washers.....	82
LABCONCO Hoods & Equipment.....	82
Snorkel Extractors.....	80-81